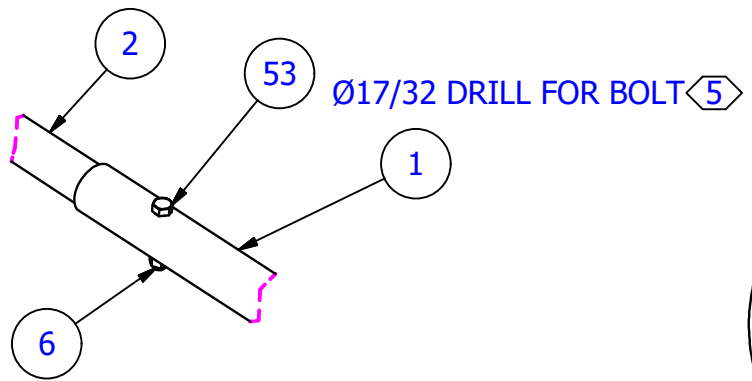


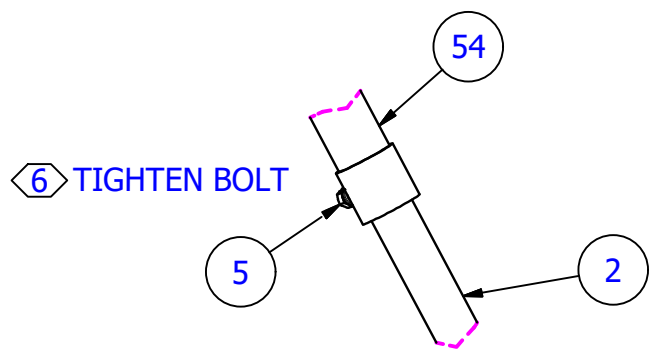
2

1

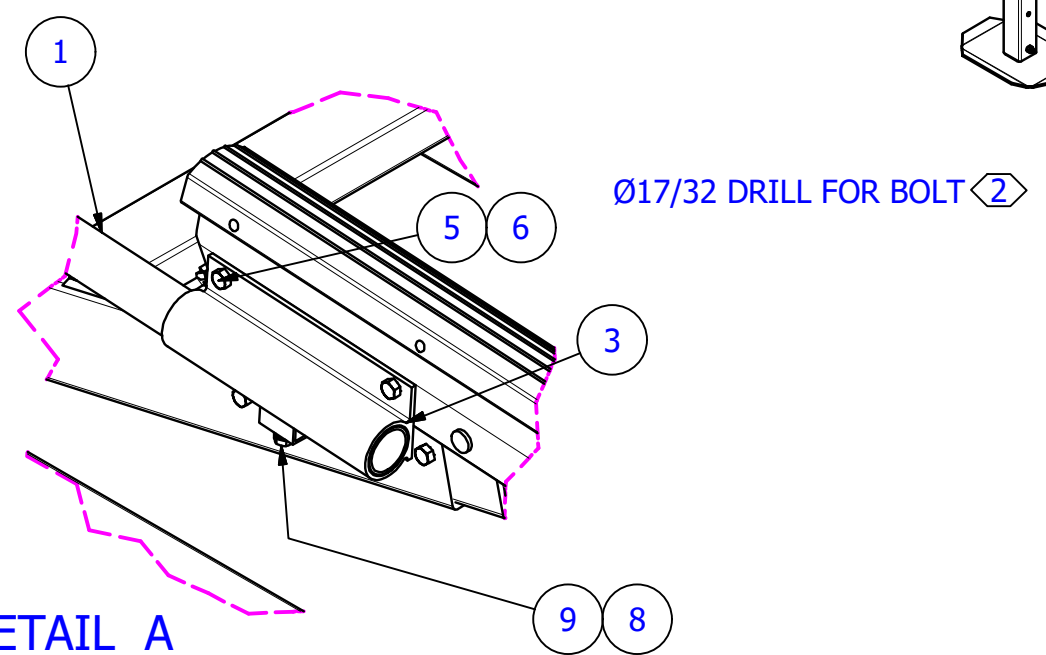
ITEM	PART NUMBER	DESCRIPTION	QTY	BASE UNIT
1	4107817R1	HL5-9K PVC BOW STOP AL PIPE EXT 72"	2	EA
2	4107816	HL5K-HL9K BOW STOP ARM AL PIPE FORM	2	EA
3	4108575	HL5K-HL9K PVC BOW STOP MTG BRKT 12" WLDMT	2	EA
5	5896281	HHCS 1/2-13 X 1-1/4 SS	6	EA
6	5836107	NUT HEX NYLOCK 1/2-13 ALUM	6	EA
8	5840105	NUT SQ 1/2-13 ALUM	2	EA
9	5896282	HHCS 1/2-13 X 1-1/2 SS	2	EA
53	5896288	HHCS 1/2-13 X 3 SS	2	EA
54	4107486	HL5K-HL9K BOW STOP PVC ASSY GRAY	1	EA



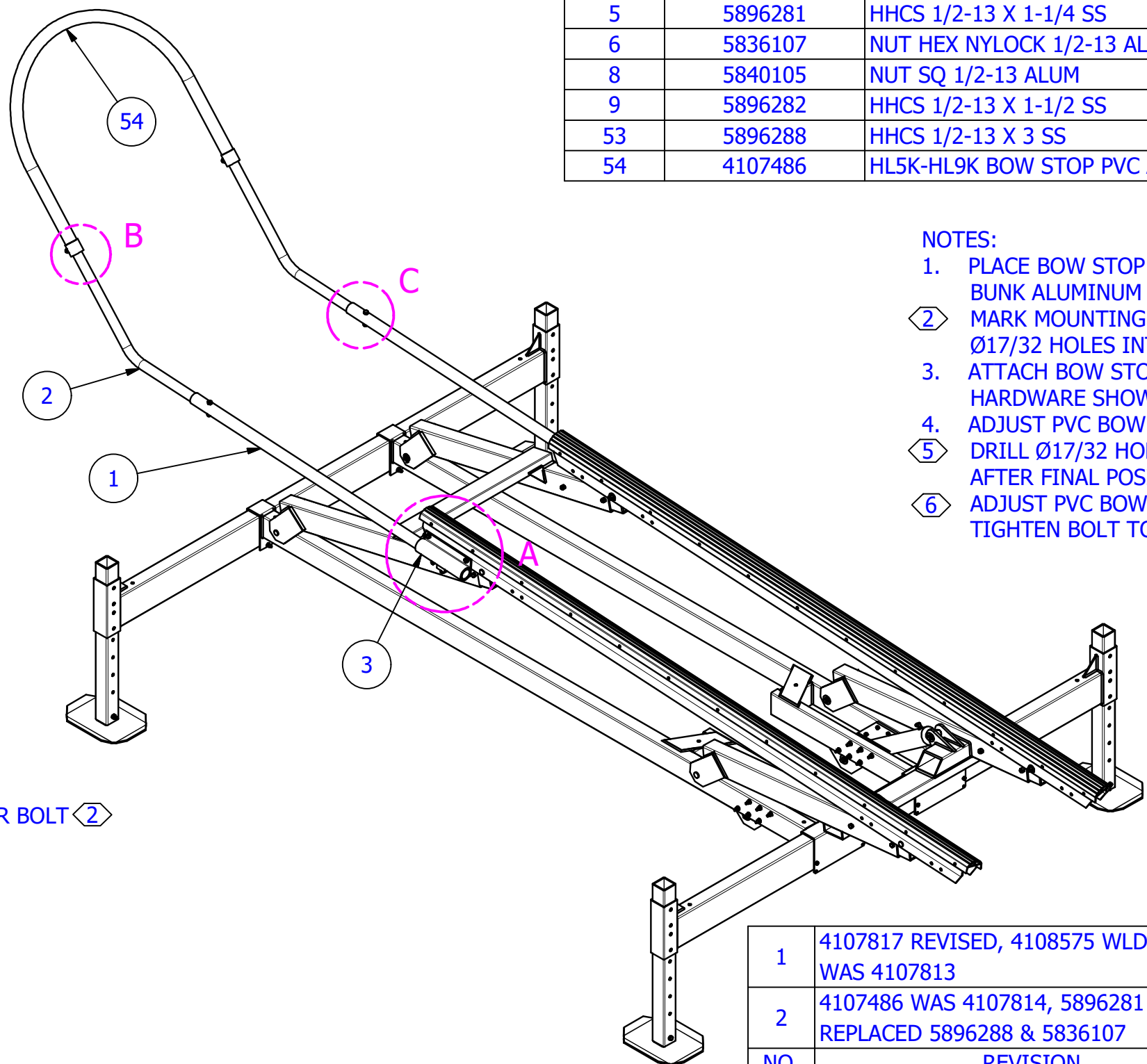
DETAIL C
SCALE 1 / 8



DETAIL B
SCALE 1 / 8



DETAIL A
SCALE 1 / 8



- NOTES:
- PLACE BOW STOP MOUNTING BRACKET AGAINST BUNK ALUMINUM AND VINYL (SEE DETAIL A).
 - MARK MOUNTING HOLE LOCATIONS AND DRILL Ø17/32 HOLES INTO ALUMINUM.
 - ATTACH BOW STOP MOUNTING BRACKET WITH HARDWARE SHOWN.
 - ADJUST PVC BOW STOP TO BOAT BOW.
 - DRILL Ø17/32 HOLES (2) PLCS IN ITEM 2 AFTER FINAL POSITION ESTABLISHED.
 - ADJUST PVC BOW STOP TO DESIRED HEIGHT AND TIGHTEN BOLT TO SET.

NO.	REVISION	DATE	BY	APP
1	4107817 REVISED, 4108575 WLDMNT WAS 4107813	11/13/2019	PDJ	APB
2	4107486 WAS 4107814, 5896281 REPLACED 5896288 & 5836107	11/13/20	TRP	APB

MATERIAL		INT	DATE
TOLERANCES UNLESS SPECIFIED		DRAWN BY	PDJ 10/22/2019
ANGLES	=+/- .5 DEG	CHECKED BY	PDJ 10/22/2019
FRACTIONS	=+/- 1/16	APPRVD BY	PDJ 10/22/2019
.XXX	=+/- .005		
.XX	=+/- .01		
.X	=+/- .03		



HL4-7K BOW STOP KIT			
SCALE	SIZE	DWG NO.	REV
1 / 25	B	4107054	2
PAGE			
1 OF 1			

2

1