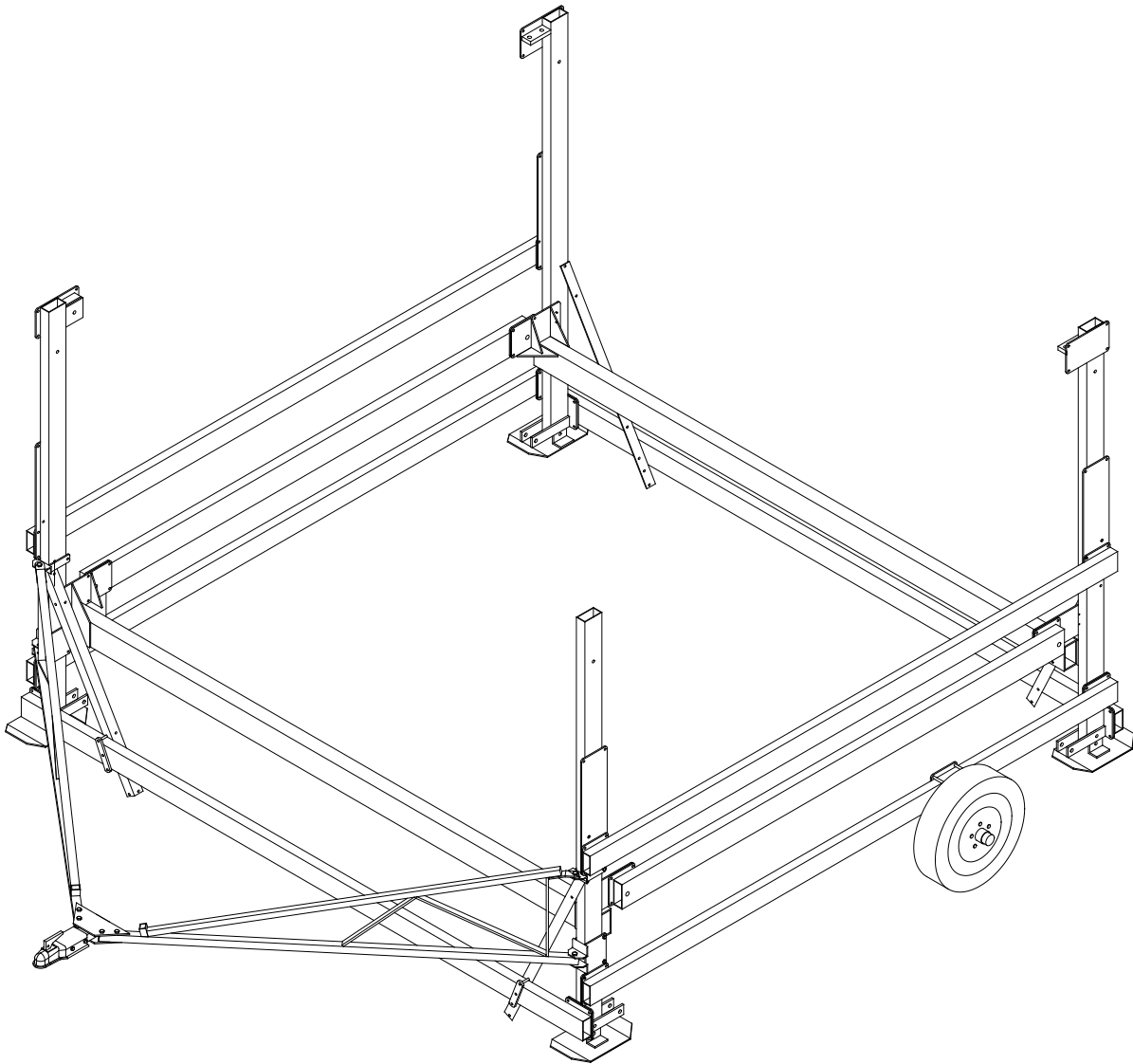




# VL TRANSPORT KIT INSTRUCTIONS

(Applies to P/N 3903649 & 3910010)



REIMANN & GEORGER CORPORATION  
MARINE PRODUCTS  
P/N 6112123

BUFFALO, NY  
04/07/18

## PARTS LISTS

Each reference number or letter in the following transport Kit parts lists can be matched with the reference number or letter referred to in both the text and illustrations in diagram below.

### 3903649 VL 1.2-7K TRANSPORT KIT- COMPLETE

REF #	PART #	QTY	DESCRIPTION
	3903650	1	VL WHEEL MOUNTING BRACKET COP see section 7.3
	3903654	1	VL TRANSPORT HUB & STUD AXLE COP see section 7.1
	3903657	1	VL TRANSPORT TOW ARM (PAIR) see section 7.2
	3906950	1	VL TRANSPORT TOW ARM COP see section 7.4
B	7603647	2	15" WHEEL

### 3910010 VL 10K TRANSPORT KIT- COMPLETE

REF #	PART #	QTY	DESCRIPTION
	3903654	1	VL TRANSPORT HUB & STUD AXLE COP see section 7.1
	3910205	1	VL TRANSPORT TOW ARM KIT 10K see section 7.5
	3910225	1	VL WHEEL MOUNTING BRACKET COP 10K see section 7.6
B	7603647	2	15" WHEEL

#### 7.1 3903654 VL TRANSPORT HUB & STUD AXLE CARTON OF PARTS

REF #	PART #	QTY	DESCRIPTION
1	3903425	2	TRANSPORT HUB & AXLE-DRILLED
A	5800387	2	5/8 TO 1" COTTER PIN
AA	5800144	2	COLLAR, SHAFT 1-5/16" ID

#### 7.2 3903657 VL TRANSPORT TOW ARM (PAIR)

REF #	PART #	QTY	DESCRIPTION
2	3903656	2	VL TRANSPORT TOW ARM

#### 7.3 3903650 VL1.2-7K WHEEL MOUNTING BRACKET CARTON OF PARTS

REF #	PART #	QTY	DESCRIPTION
3	3903645	2	VL WHEEL MOUNTING BRACKET
4	3987000	2	HORIZONTAL MOUNTING PLATE 6"
	<b>3903635</b>	<b>1</b>	<b>VL WHEEL MOUNTING BRKT BAG OF BOLTS consisting of:</b>
C	5896255	8	3/8 X 3 HEX HEAD CAP SCREW (5K-7K)
	5896253	8	3/8 X 2-1/2 HEX HEAD CAP SCREW (1.2-4K)
D	5896406	8	3/8 FLAT WASHER
E	5806243	8	3/8 SPLIT LOCK WASHER
F	5803638	8	3/8 HEX NUT SILICONE BRONZE

#### 7.4 3906950 VL1.2-7K TRANSPORT TOW ARM CARTON OF PARTS

REF #	PART #	QTY	DESCRIPTION
5	3906943	1	VL TONGE MOUNTING PLATE (1.2K-7K)
6	3906945	1	VL TRANSPORT TONGE WELDMENT (1.2K-7K)
7	3903655	2	VL TRANSPORT UPPER MOUNTING BRACKET (1.2K-7K)
8	3903660	2	VL TRANSPORT LOWER MOUNTING BRACKET (1.2K-7K)
9	6403644	1	VL TRAILER COUPLER - 2"

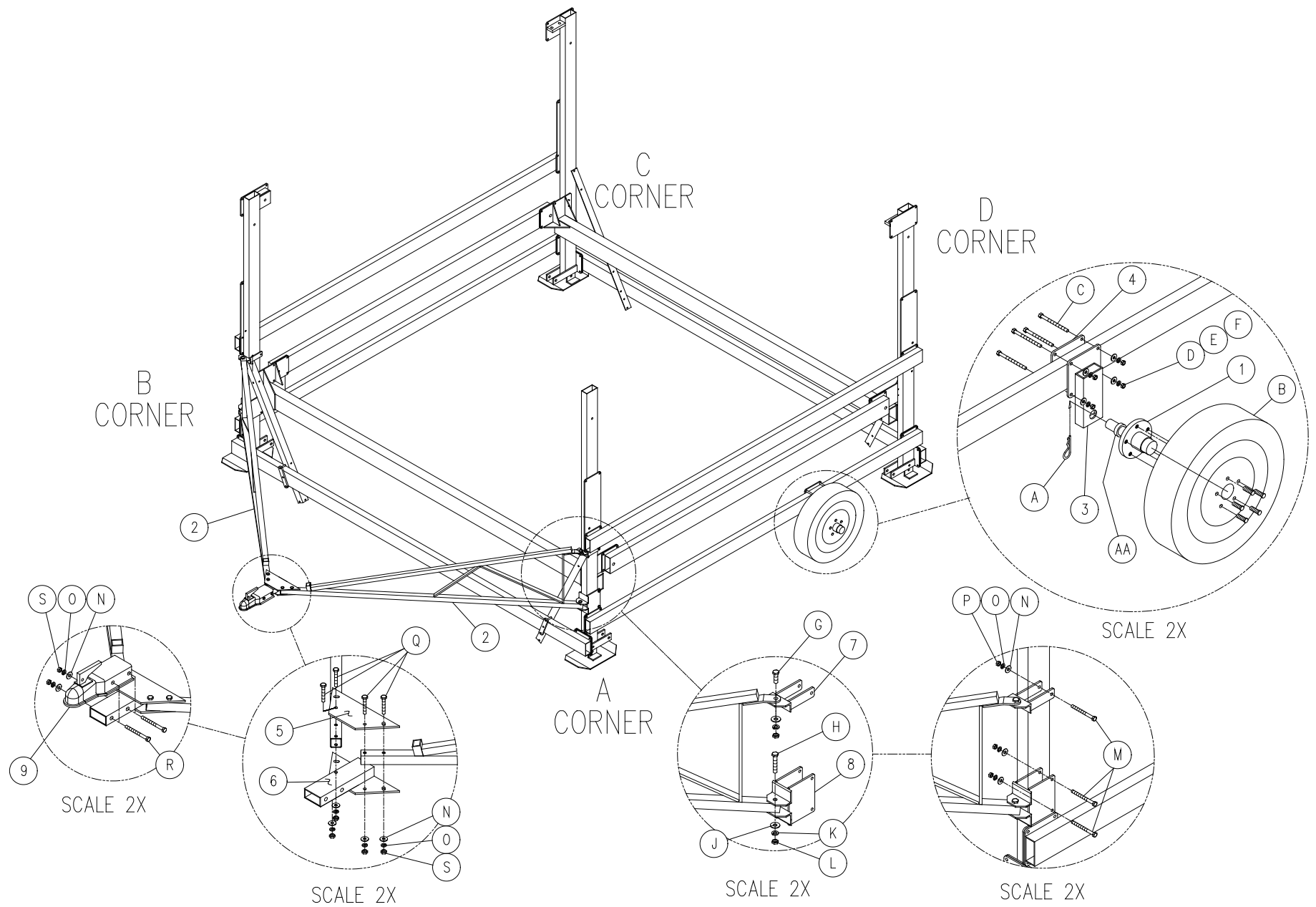
	<b>3913651</b>	<b>1</b>	<b>VL TRANSPORT TOW ARM BAG OF BOLTS consisting of:</b>
G	5896282	2	1/2 X 1-1/2 HEX HEAD CAP SCREW
H	5896287	2	1/2 X 2-3/4 HEX HEAD CAP SCREW
J	5896400	4	1/2 FLAT WASHER
K	5806244	4	1/2 SPLIT LOCK WASHER
L	5803612	4	1/2 HEX NUT SILICON BRONZE
M	5896255	6	3/8 X 3 HEX HEAD CAP SCREW (1.2K-7K)
N	5896406	12	3/8 FLAT WASHER
O	5806243	12	3/8 SPLIT LOCK WASHER
P	5803638	12	3/8 HEX NUT SILICON BRONZE
Q	5896253	4	3/8 X 2-1/2 HEX HEAD CAP SCREW
R	5896259	2	3/8 X 4 HEX HD CAP SCREW

#### 7.5 3910205 VL10K TRANSPORT TOW ARM KIT

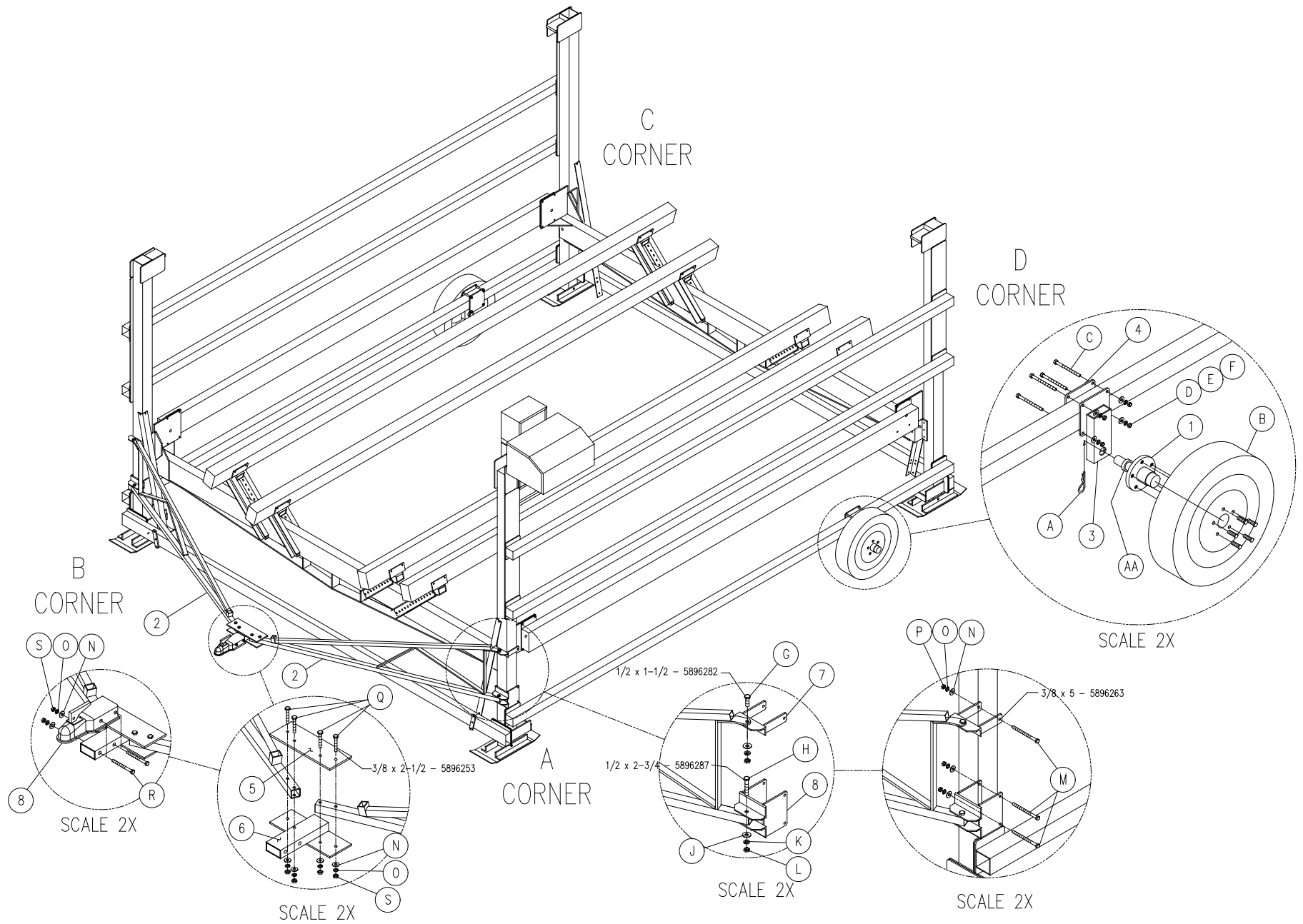
REF #	PART #	QTY	DESCRIPTION
	<b>3903657</b>	<b>1</b>	<b>VL10K TRANSPORT TOW ARM (PAIR) see section 7.2</b>
	<b>3910215</b>	<b>1</b>	<b>VL10K TRANSPORT TOW ARM COP consisting of:</b>
5	3910710	1	VL TONGE MOUNTING PLATE (10K)
6	3910515	1	VL TRANSPORT TONGE WELDMENT (10K)
7	3910415	2	VL TRANSPORT UPPER MOUNTING BRACKET (10K)
8	3910410	2	VL TRANSPORT LOWER MOUNTING BRACKET (10K)
9	6403644	1	VL TRAILER COUPLER – 2”
	<b>3910220</b>	<b>1</b>	<b>VL10K TRANSPORT TOW ARM BAG OF BOLTS consisting of:</b>
G	5896282	2	1/2 X 1-1/2 HEX HEAD CAP SCREW
H	5896287	2	1/2 X 2-3/4 HEX HEAD CAP SCREW
J	5896400	4	1/2 FLAT WASHER
K	5806244	4	1/2 SPLIT LOCK WASHER
L	5803612	4	1/2 HEX NUT SILICON BRONZE
M	5896263	6	3/8 X 5 HEX HEAD CAP SCREW (10K)
N	5896406	12	3/8 FLAT WASHER
O	5806243	12	3/8 SPLIT LOCK WASHER
P	5803638	12	3/8 HEX NUT SILICON BRONZE
Q	5896253	4	3/8 X 2-1/2 HEX HEAD CAP SCREW
R	5896259	2	3/8 X 4 HEX HD CAP SCREW

#### 7.6 3910225 VL10K WHEEL MOUNTING BRACKET CARTON OF PARTS

REF #	PART #	QTY	DESCRIPTION
3	3903645	2	VL WHEEL MOUNTING BRACKET
4	3987000	2	HORIZONTAL MOUNTING PLATE 6”
	<b>3910230</b>	<b>1</b>	<b>VL10K WHEEL MTG BRKT BAG OF BOLTS consisting of:</b>
C	5896259	8	3/8 X 4 HEX HEAD CAP SCREW (10K)
D	5896406	8	3/8 FLAT WASHER
E	5806243	8	3/8 SPLIT LOCK WASHER
F	5803638	8	3/8 HEX NUT SILICON BRONZE



**VL 1.2K- 7K Transport Kit- Complete**



**VL 10K Transport Kit- Complete**