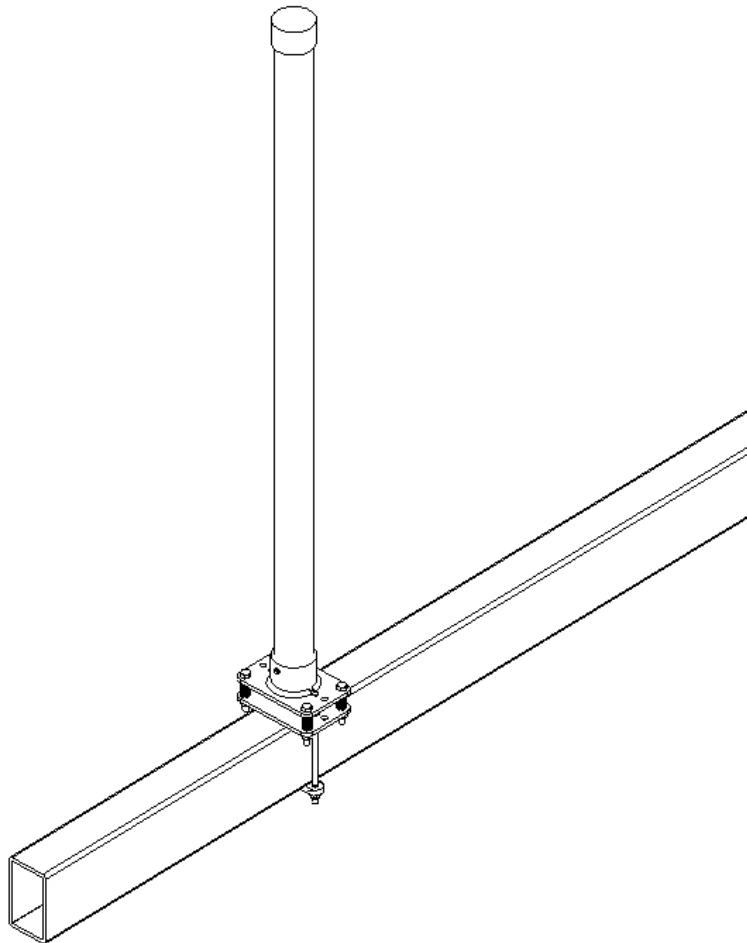




VL GUIDE POST-PVC INSTRUCTIONS

(Applies to P/Ns 3619140, 3619150, 3619160, 3919170)

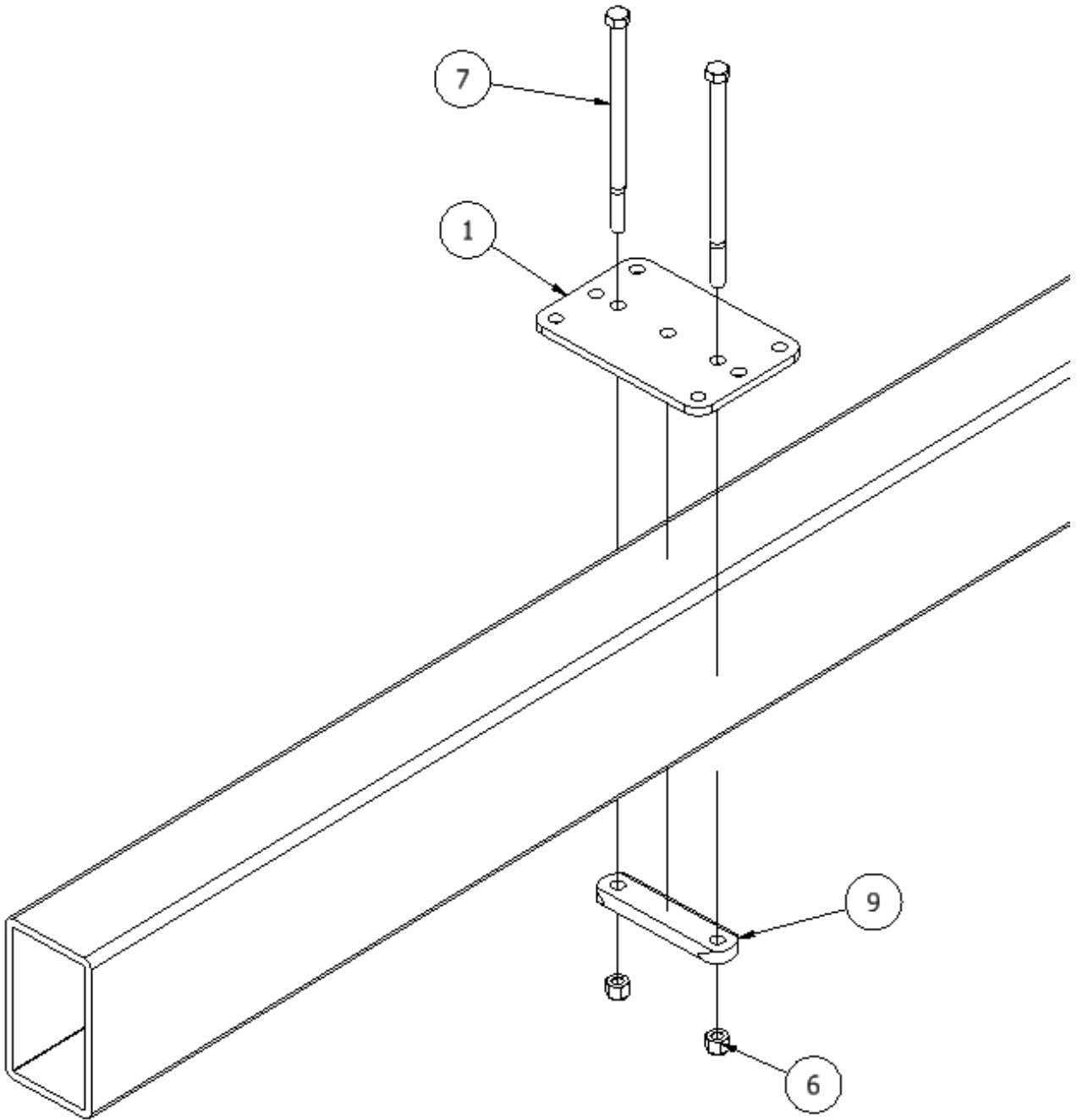


REIMANN & GEORGER CORPORATION
MARINE PRODUCTS
P/N 6112224

BUFFALO, NY
04/07/18

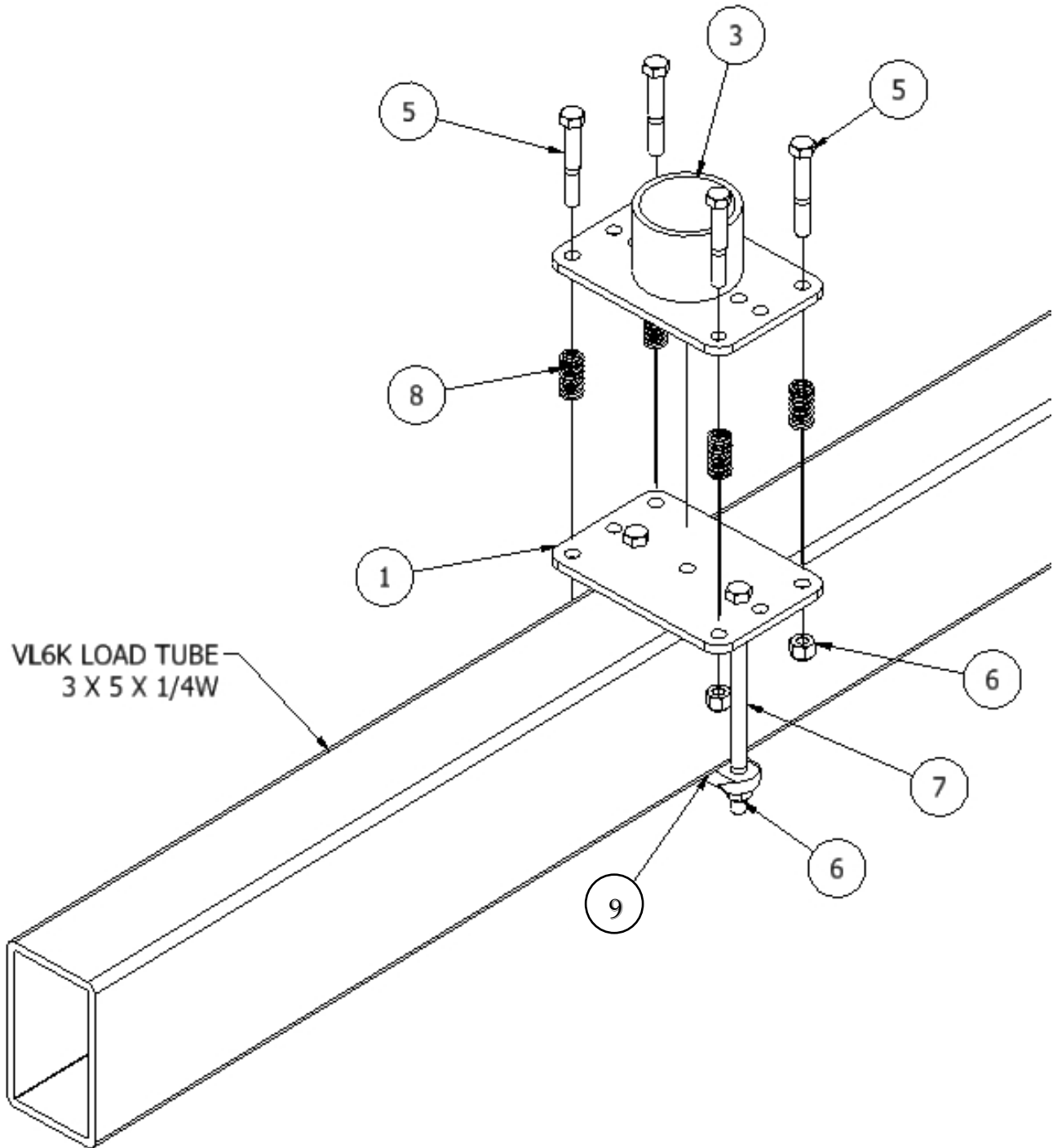
STEP 1

1. Assemble (detail 1) guide post mounting plate to the VL load tube using bolts (detail 7), 2-hole plate (detail 9) & lock nut (detail 6).
2. Position & tighten the bolts onto the load tube.



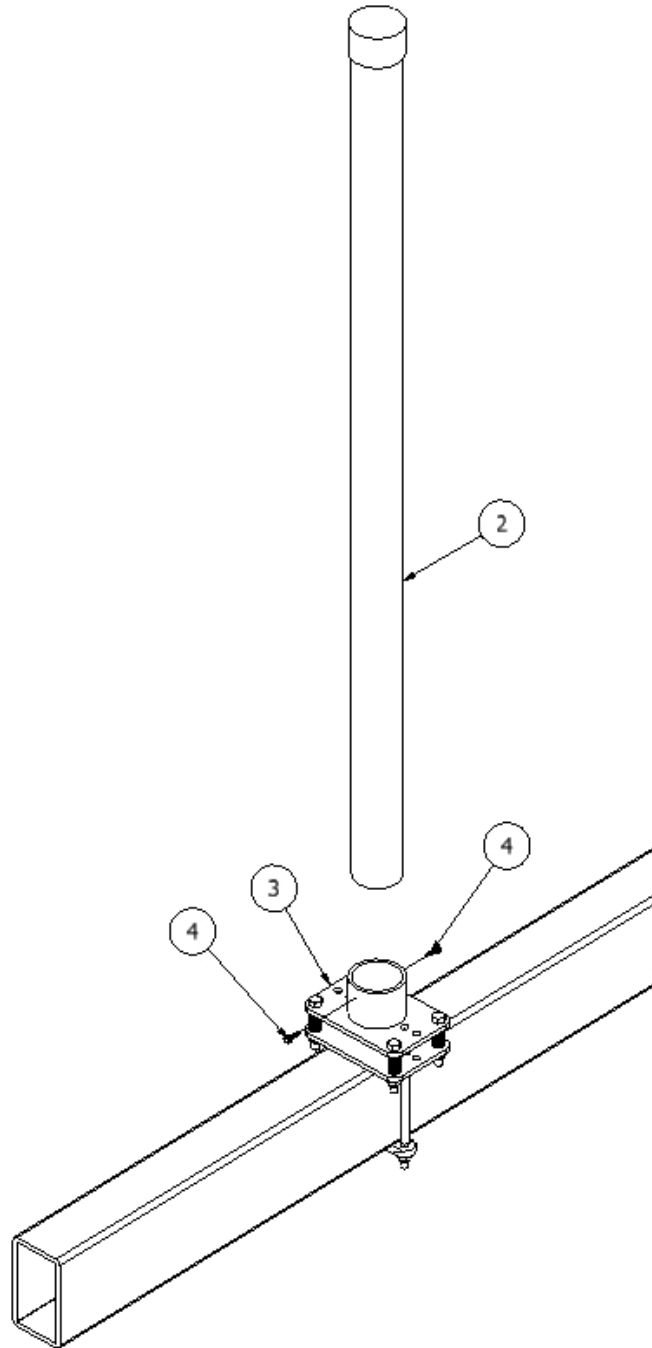
STEP 2

1. Assemble VL guide post mounting weldment (detail 3) using (details 5, 8 & 6). Tighten the 3/8" hex bolt (detail 6) to retain the spring. Tighten bolt to compress spring about 1/4".



STEP 3

1. Assemble guide post PVC (detail 2) into lower mount assembly (detail 3).
2. Secure guide post PVC to the lower mount assembly using (2) self-drill screws (detail 4).



HL GUIDE POST PARTS LIST

Each reference number or letter in the following parts lists can be matched with the reference number or letter referred to in the illustrations of the instruction manual.

3619160 VL GUIDE POST-PVC 6K (Pair) Carton of Parts (3X5 LOAD TUBE)

REF #	PART #	QTY	DESCRIPTION
1	4107706	2	HL GUIDE POST MTG PLATE 4X6
2	4107479	2	HL GUIDE POST 48" PVC TUBE ASSY
3	4107541	2	HL GUIDE POST MTG PLATE 4X6
	3619261	1	VL6K GUIDE POST 4' PVC BOB includes:
4	5894005	4	SCREW SELF-DRILL PH#10 X ¾ SS
5	5896253	8	HHCS 3/8-16 X 2-1/2 SS
6	5840103	12	NUT HEX NYLOCK 3/8-16 ALUM
7	5896269	4	HHCS 3/8-16 X 6-1/2 SS
8	5894104	8	SPRING, COMP .60" OD X .072W X 1-1/4
9	3606921	2	2-HOLE PLATE 3"

3619150 VL GUIDE POST-PVC 5KSR (Pair) Carton of Parts (2X5 LOAD TUBE)

REF #	PART #	QTY	DESCRIPTION
1	3619401	2	VL3-4.5K GUIDE POST MTG PLATE 4X6
2	4107479	2	HL GUIDE POST 48" PVC TUBE ASSY
3	4107541	2	HL GUIDE POST MTG PLATE 4X6
	3619267	1	VL5KSR GUIDE POST 4' PVC BOB includes:
4	5894005	4	SCREW SELF-DRILL PH#10 X ¾ SS
5	5896253	8	HHCS 3/8-16 X 2-1/2 SS
6	5840103	12	NUT HEX NYLOCK 3/8-16 ALUM
7	5896269	4	HHCS 3/8-16 X 6-1/2 SS
8	5894104	8	SPRING, COMP .60" OD X .072W X 1-1/4
9	3603835	2	2-HOLE PLATE 2"

3619140 VL GUIDE POST-PVC 3-4.5K (Pair) Carton of Parts (2X4 LOAD TUBE)

REF #	PART #	QTY	DESCRIPTION
1	3619401	2	VL3-4.5K GUIDE POST MTG PLATE 4X6
2	4107479	2	HL GUIDE POST 48" PVC TUBE ASSY
3	4107541	2	HL GUIDE POST MTG PLATE 4X6
	3619264	1	VL3-4.5K GUIDE POST 4' PVC BOB includes:
4	5894005	4	SCREW SELF-DRILL PH#10 X ¾ SS
5	5896253	8	HHCS 3/8-16 X 2-1/2 SS
6	5840103	12	NUT HEX NYLOCK 3/8-16 ALUM
7	5896264	4	HHCS 3/8-16 X 5-1/2 SS
8	5894104	8	SPRING, COMP .60" OD X .072W X 1-1/4
9	3603835	2	2-HOLE PLATE 2"

3619170 VL GUIDE POST-PVC 8K (Pair) Carton of Parts (3X7 LOAD TUBE)

REF #	PART #	QTY	DESCRIPTION
1	4107706	2	HL GUIDE POST MTG PLATE 4X6
2	4107479	2	HL GUIDE POST 48" PVC TUBE ASSY
3	4107541	2	HL GUIDE POST MTG PLATE 4X6
	3619270	1	VL8K GUIDE POST 4' PVC BOB includes:
4	5894005	4	SCREW SELF-DRILL PH#10 X 3/4 SS
5	5896253	8	HHCS 3/8-16 X 2-1/2 SS
6	5840103	12	NUT HEX NYLOCK 3/8-16 ALUM
7	5890151	4	HHCS 3/8-16 X 8-1/2 SS
8	5894104	8	SPRING, COMP .60" OD X .072W X 1-1/4
9	3606921	2	2-HOLE PLATE 3"