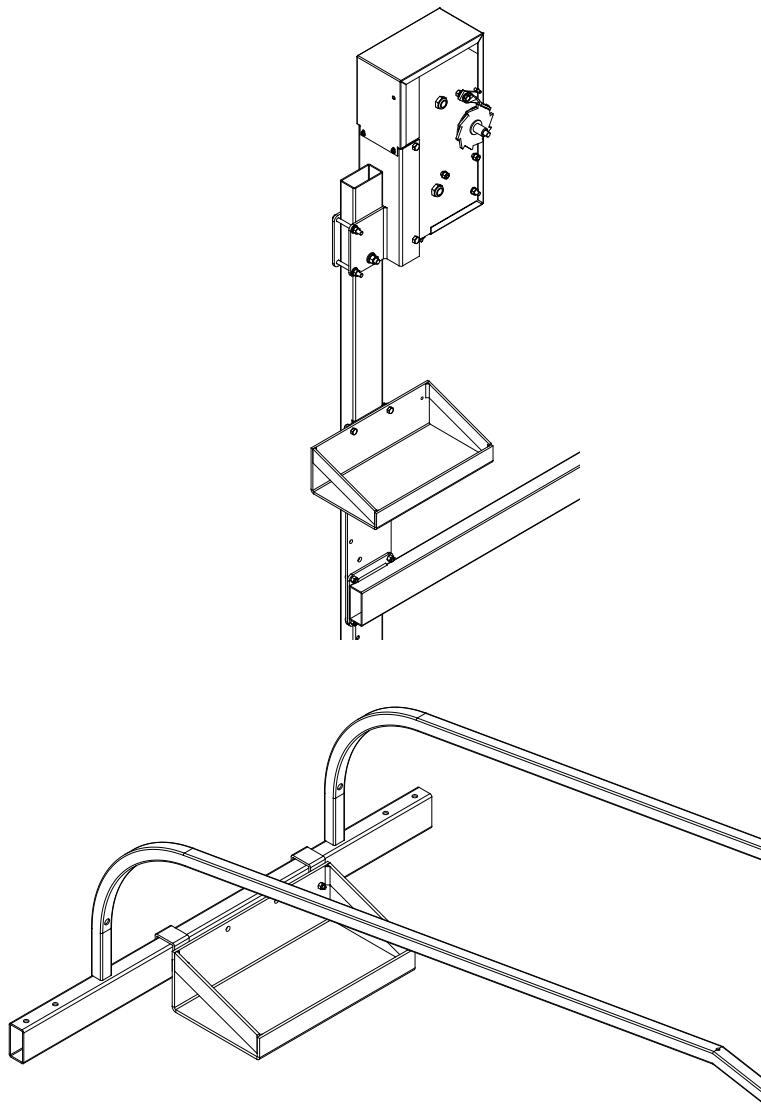




VL BATTERY SHELF

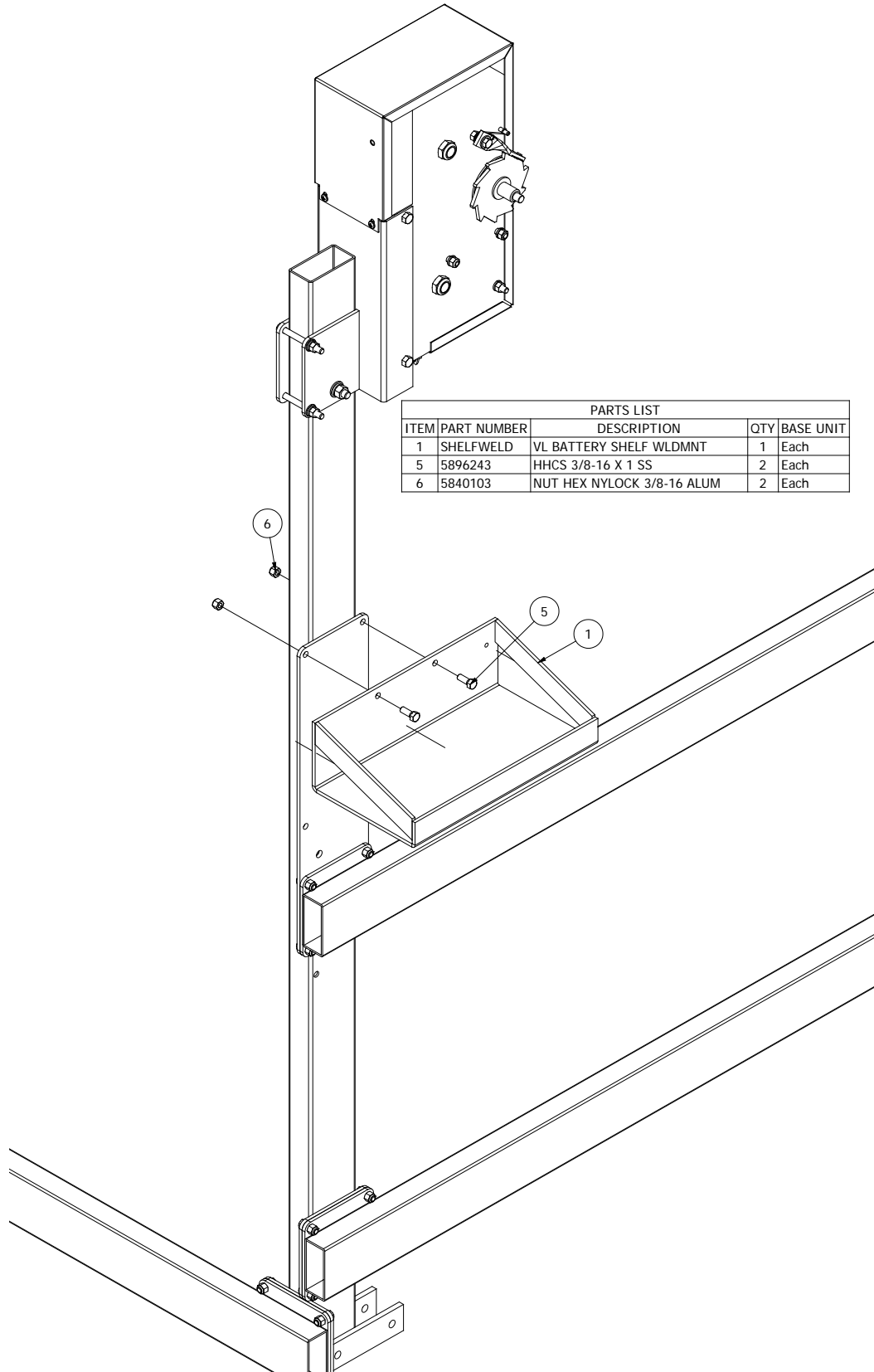
VERT LEG MOUNT OR CANOPY FRAME



REIMANN & GEORGER CORPORATION
MARINE PRODUCTS
P/N 6112---

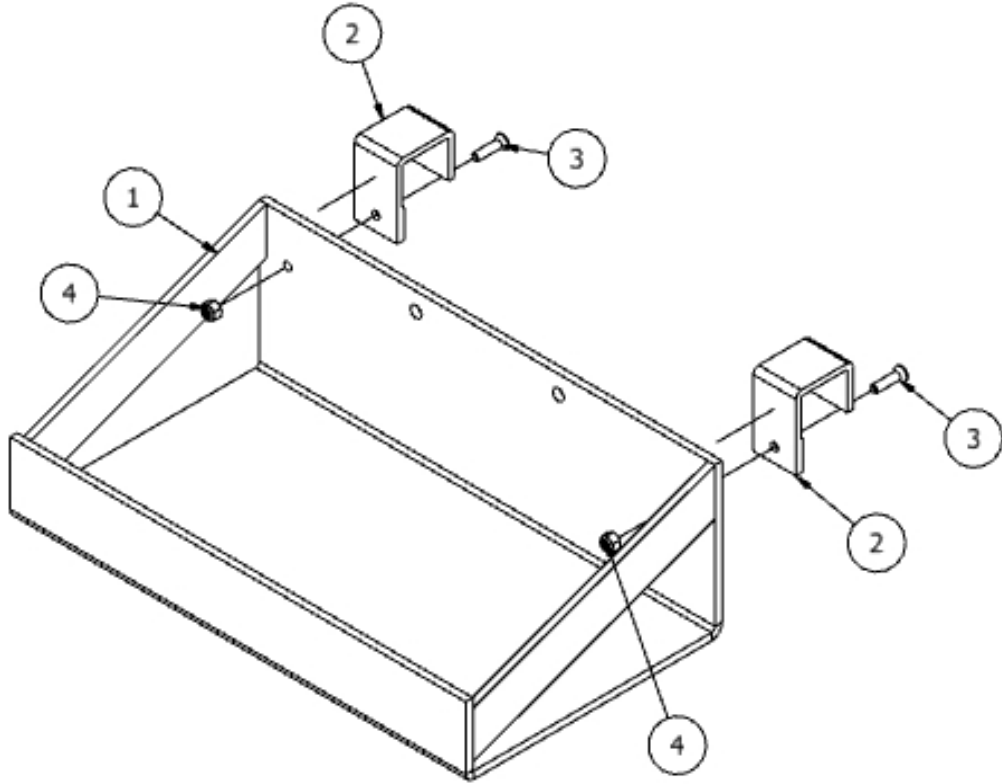
BUFFALO, NY
12/4/12

VL BATTERY SHELF MOUNTING



VL Battery Shelf Mount on Vertical Leg

PARTS LIST				
ITEM	PART NUMBER	DESCRIPTION	QTY	BASE UNIT
1	3713504	VL BATTERY SHELF WLDMNT	1	Each
2	3713904	VL BATTERY SHELF SUPT BRKT-CANOPY	2	Each
3	5892801	SCREW FH PH 1/4-20 X 1 SS	2	Each
4	5893101	NUT HEX NYLOCK 1/4-20 SS	2	Each
5	5896247	HHCS 3/8-16 X 1 SS	2	Each
6	5840103	NUT HEX NYLOCK 3/8-16 ALUM	2	Each



VL Battery Shelf Assembly for Canopy Frame Mounting