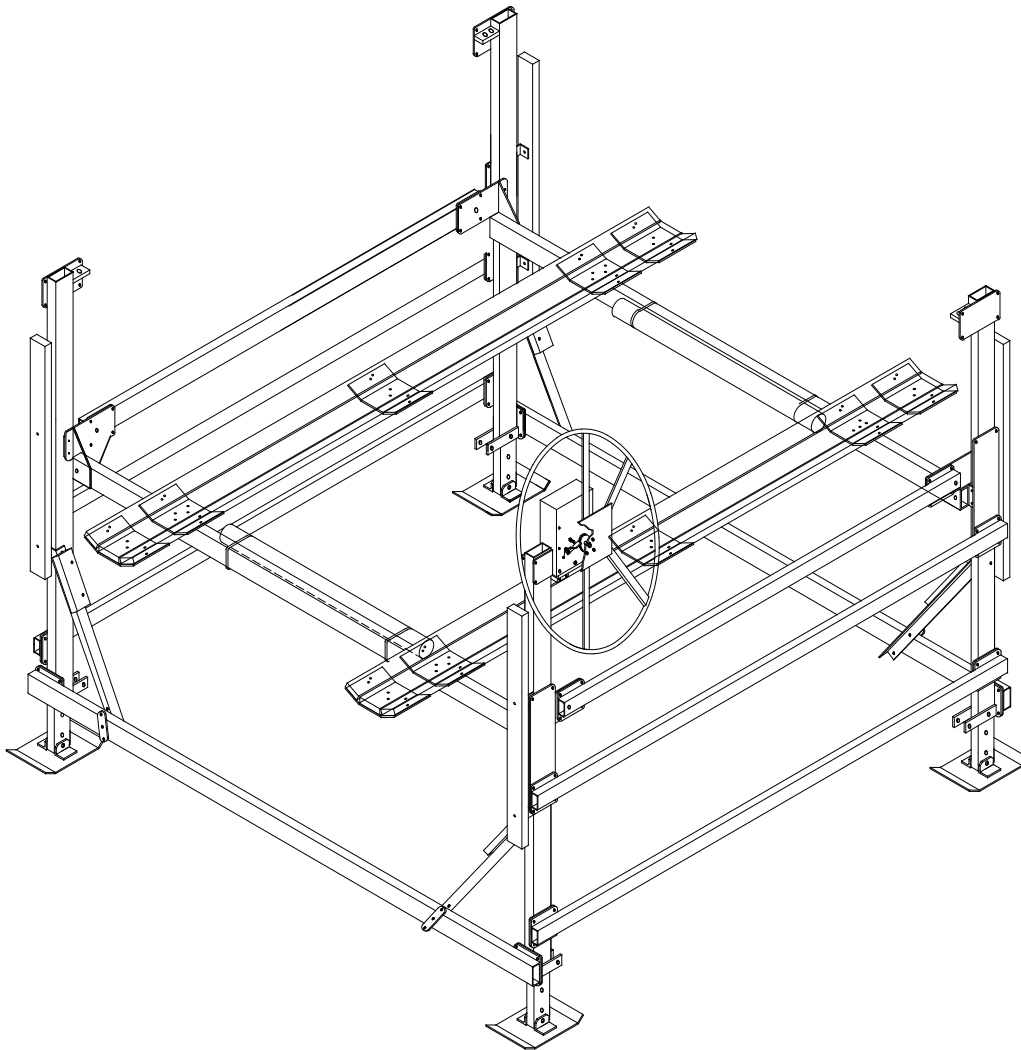




VL PONTOON BALLAST WEIGHT KIT INSTRUCTIONS



REIMANN & GEORGER CORPORATION
MARINE PRODUCTS
P/N 6112218

BUFFALO, NY
06/30/11

PARTS LISTS

Each reference number in the following parts lists can be matched with the reference number or letter referred to in the illustrations of the instruction manual.



WARNING:

FAILURE TO APPLY A SUITABLE LUBRICANT TO THE MATING SURFACES OF STAINLESS STEEL THREADED FASTENERS MAY CAUSE GALLING AND/OR SEIZING OF ASSEMBLY.

3632107 VL PONTOON BALLAST WEIGHT KIT CARTON OF PARTS

Reference	Part Number	Quantity	Description
1	3632210	4	PONTOON BALLAST SUPPORT FLAT
2	3606921	4	2-HOLE PLATE 3"
	3632204	1	VL PONT BALLAST WEIGHT KIT BAG OF BOLTS 5-6K
			<i>Consisting of:</i>
A	5896269	8	HHCS 3/8-16 X 6-1/2 SS
B	5894091	4	BOLT U 3/8-16 X 6-1/2 X 4-5/8 SS
C	5896406	16	WASHER FLAT SAE 3/8 SS
D	5806243	16	WASHER SPLIT LOCK 3/8 SS
E	5803638	16	NUT HEX 3/8-16 bronze
F	5806122	8	SCREW SELF-DRILL #14 X 1-1/4

4" PVC Pipe not included

(2) 4" PVC schedule 40 white pipe x 102" long

(4) 4" PVC end caps

