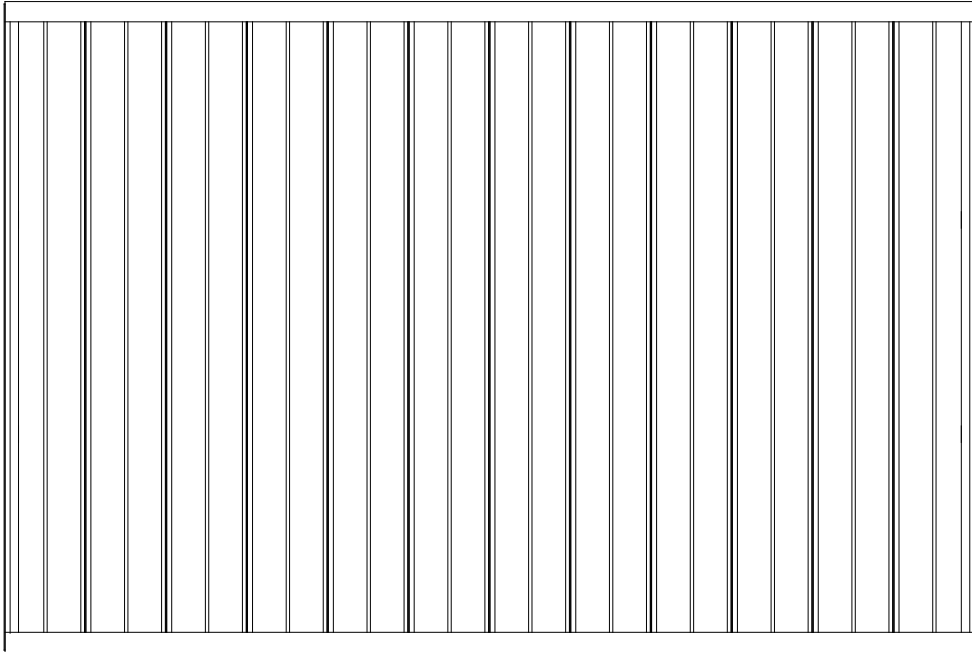




# TRUSS DOCK RAMP INSTRUCTIONS



**REIMANN & GEORGER CORPORATION**  
**MARINE PRODUCTS**  
P/N 6112212

**BUFFALO, NY**  
09/28/15



## TABLE OF CONTENTS

CHAPTER PAGE	TITLE	
<b>1</b>	<b>SAFETY .....</b>	<b>1</b>
1.1	Introduction .....	1
1.2	Safety Definitions .....	1
1.3	Equipment Safety Labels .....	1
1.4	Equipment and Personnel Safety .....	1
<b>2</b>	<b>SPECIFICATIONS .....</b>	<b>2</b>
2.1	Section Data.....	2
<b>3</b>	<b>INSTALLATION AND SETUP .....</b>	<b>3</b>
3.1	Configuration Guidelines.....	3
3.2	Pre-Installation Checks .....	3
3.3	General Assembly Instructions .....	3
3.4	Truss Dock Ramp Assembly.....	4
3.4.1	Truss Dock Ramp to Truss Dock with legs .....	4
3.4.2	Truss Dock Ramp to Floating Truss Dock.....	5
3.4.3	Truss Dock Ramp to F-Dock .....	6
<b>4</b>	<b>INSPECTION AND MAINTENANCE .....</b>	<b>7</b>
4.1	General Maintenance Rules .....	7
4.2	Annual Inspection .....	7
4.3	Storage Procedure.....	7
<b>5</b>	<b>PARTS LISTS.....</b>	<b>8</b>
5.1	Truss Dock Ramp to Truss Dock Kit.....	8
5.2	Truss Dock Ramp to F-Dock Kit.....	8

FIGURE	DESCRIPTION	PAGE
3.1	Truss Dock Ramp Layouts .....	3
3.2	Truss Dock Ramp to Truss Dock Assembly.....	5
3.3	Truss Dock Ramp to F-Dock Assembly .....	6

# 1 SAFETY

## 1.1 INTRODUCTION

Your Reimann & Georger Corporation Marine Products Truss Dock Ramp has been engineered to provide reliable performance, long term economics and safety advantages that no other type can match. However, even a well-designed and well-built dock ramp can malfunction or become hazardous in the hands of an inexperienced and/or untrained user. Therefore, read this manual and related equipment manuals thoroughly before using your dock to provide maximum safety for all personnel, and to get the maximum benefit from your equipment.

## 1.2 SAFETY DEFINITIONS

A safety message alerts you to potential hazards that could hurt you or others or cause property damage. The safety messages or signal words for product safety signs are **DANGER**, **WARNING**, and **CAUTION**. Each safety message is preceded by a safety alert symbol and is defined as follows:

**DANGER:** Indicates an imminently hazardous situation which, if not avoided, **will** cause death or serious injury. This safety message is limited to the most extreme situations.

**WARNING:** Indicates a potentially hazardous situation which, if not avoided, **could** result in death or serious injury.

**CAUTION:** Indicates a potentially hazardous situation which, if not avoided, **may** result in minor or moderate injury. It may also be used to alert against unsafe practices and property-damage-only accidents.

## 1.3 EQUIPMENT SAFETY LABELS

These labels warn you of potential hazards that could cause injury. Read them carefully. If a label comes off or becomes illegible, contact a Reimann & Georger Corporation dealer for a free replacement.

## 1.4 EQUIPMENT AND PERSONNEL SAFETY

1. Do not assemble or use the dock if any part shows any signs of damage.
2. Do not weld or otherwise modify the dock. Such alterations may weaken the structural integrity of the dock and void the warranty.
3. Ensure that all bolts and nuts are fastened securely prior to using the dock.
4. Ensure that all the assembled frames are level and square.
5. All docking accessories must be commercially manufactured and be properly maintained and installed.
6. Do not install or use the dock under the influence of drugs, alcohol, or medication.
7. The dock is intended to support the weight of people only. Do not place any type of watercraft or any heavy equipment on the dock.
8. Do not leave objects such as boating hardware lying on the dock. These can cause someone to trip and fall into the water.
9. Do not use the dock during an electrical storm.
10. Do not allow anyone to swim or play under, near or on the dock at any time.
11. At least once a year, inspect the dock thoroughly.
12. Immediately replace any components found to be defective.

## 2 SPECIFICATIONS

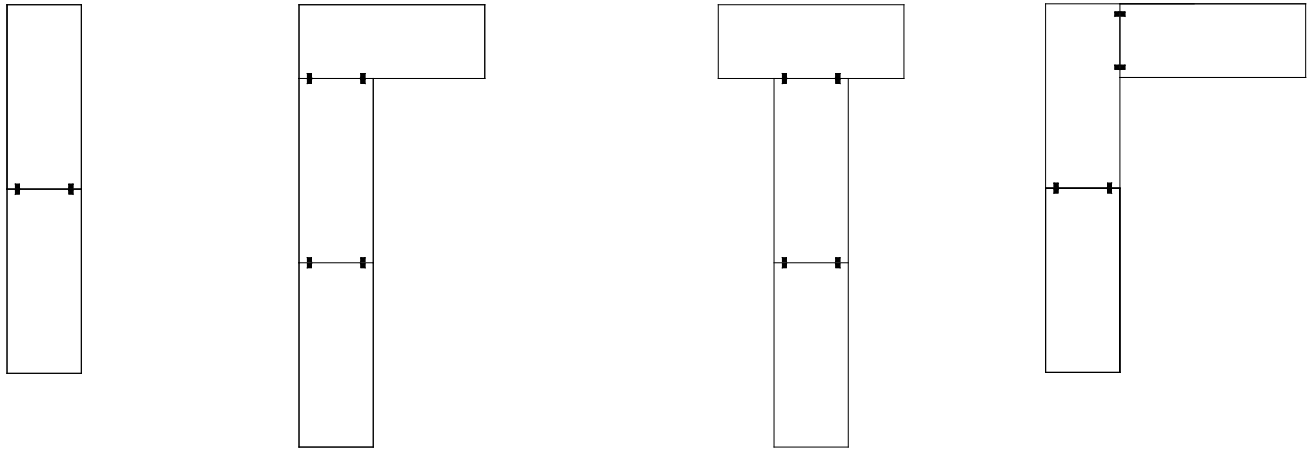
### 2.1 SECTION DATA

Ramp Dimensions	4 ft. x 6 ft.	4 ft. x 12 ft.
Weight with powder-coated decking	76 lbs.	146 lbs.
Weight with premium cedar decking	82 lbs.	159 lbs.
Weight with poly decking	78 lbs.	150 lbs.

### 3 INSTALLATION AND SETUP

#### 3.1 CONFIGURATION GUIDELINES

1. Your Reimann & Georger Corporation truss dock ramp section simply bolts to any Reimann & Georger Corporation truss dock section for easy installation or quick dismantling for winter storage. The hinge brackets are designed to allow the ramp to be used with shores that are above or below your dock.



**FIG. 3.1**  
**TRUSS DOCK RAMP LAYOUTS**

#### 3.2 PRE-INSTALLATION CHECKS

1. Check the packing list to ensure that you have all the parts for the dock configuration you are planning to build. Ensure you have the desired type of deck.
2. If any parts are missing or damaged, contact your local supplier or Reimann & Georger Corporation. Do NOT assemble the dock if any part shows any signs of damage.
3. Do not weld or otherwise modify any part of the dock assembly. Such alterations may weaken the structural integrity of the dock and void the warranty.
4. Do not assemble the dock ramp without first reviewing all the safety procedures described in Chapter 1.

#### 3.3 GENERAL ASSEMBLY INSTRUCTIONS

1. This product has been supplied with stainless steel hardware to protect against a harsh marine environment and provide outstanding performance. Due to the chemistry and surface condition of stainless steel, there is a natural tendency for the hardware to “gall, lock up, or seize” during assembly. To prevent this from occurring, it is **highly recommended** that the anti-seize supplied in the hardware bag be applied to the mating surfaces of all stainless steel fasteners before assembly. Lubricants containing molybdenum disulfide, graphite, mica or talc may also be used.



**CAUTION:**  
**DO NOT EXCEED THE MAXIMUM TORQUE RATING ON ALL BOLTS OF 20 FT-LBS.**



**WARNING:**

**FAILURE TO APPLY A SUITABLE LUBRICANT TO THE MATING SURFACES OF STAINLESS STEEL THREADED FASTENERS MAY CAUSE GALLING AND/OR SEIZING OF ASSEMBLY.**



**CAUTION:**

**IF THE GROUND IS SOFT, IT MAY BE NECESSARY TO PLACE BLOCKS UNDER THE RAMP SECTION TO STOP IT FROM SINKING INTO THE GROUND.**



**CAUTION:**

**DO NOT INSTALL THE DOCK SECTION IN ROUGH WATER CONDITIONS.**

### 3.4 TRUSS DOCK RAMP ASSEMBLY

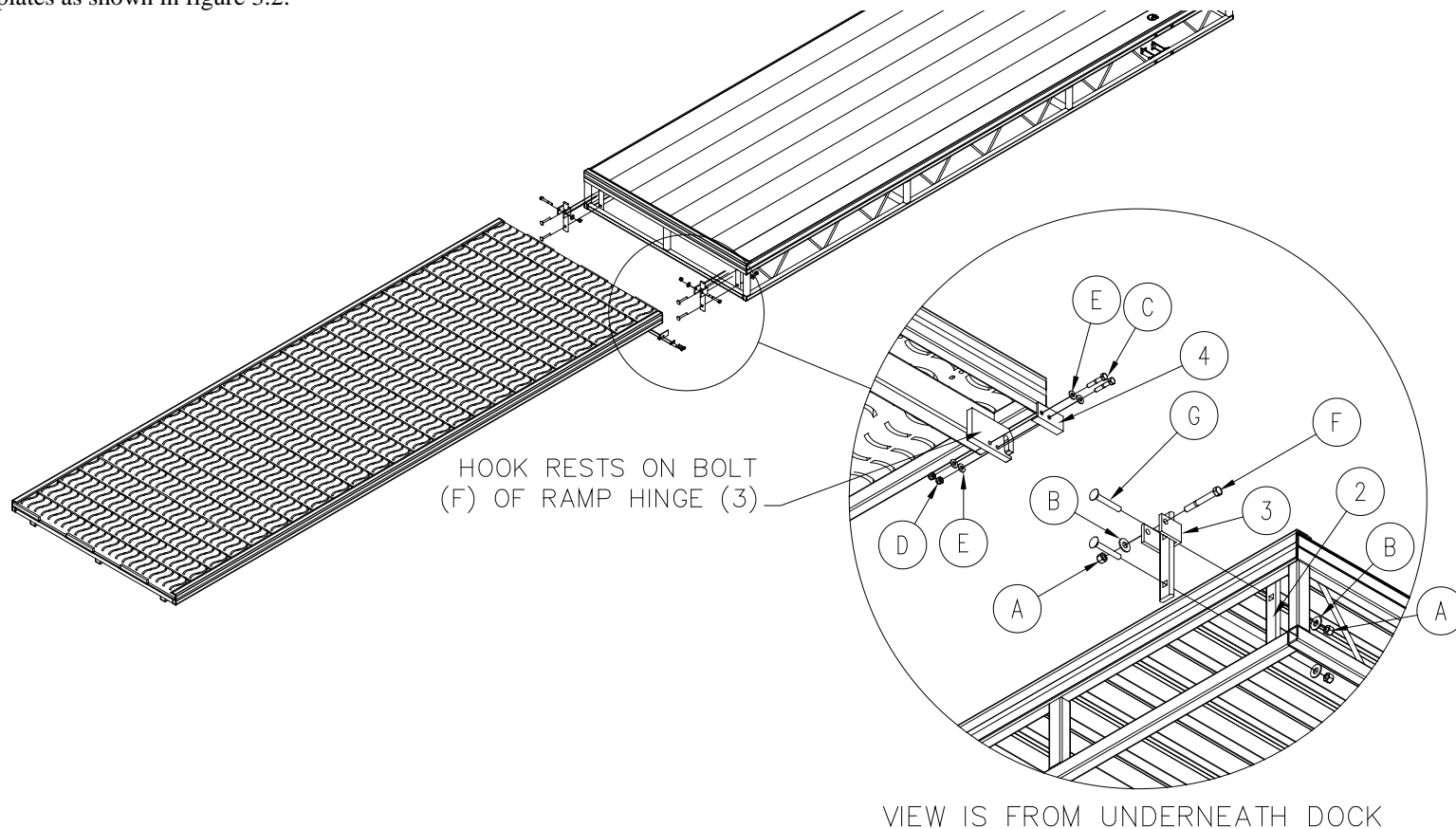
**NOTE: WHEN ATTACHING TRUSS DOCK RAMP TO A FLOATING DOCK, BE SURE TO USE HINGE LATCHES PROVIDED. SEE ASSEMBLY INSTRUCTIONS IN SECTION 3.4.2 & 3.4.3 AND REFERENCE PARTS LIST, SECTION 5.**

#### 3.4.1 TRUSS DOCK RAMP TO TRUSS DOCK WITH LEGS

1. **REFER TO FIGURE 3.2 & SECTION 5.1** - Attach (2) T-Dock Ramp Hinges on your truss dock section using (2) T-Dock Ramp Mount Clamp, (4) 3/8" carriage bolts, (8) 3/8" flat washers and (4) 3/8" hex nuts as shown in fig. 3.2. Leave hardware loose enough to allow the hinges to be moved into position
2. It is recommended that attachment of truss dock ramp not be completed until the final placement of dock sections in the water. Attach Truss Dock Ramp section to standard truss dock section by aligning the Truss Dock Ramp Hinges with the hinge plates welded to your Truss Dock Ramp. Connect the hinges to the hinge plates by using (2) 3/8"-16 X 3 hex bolts, (2) 3/8" flat washers, and (2) 3/8" hex nuts. Tighten both securely, while allowing truss dock ramp to pivot. Now tighten truss dock ramp hinges to truss dock.
3. **OPTIONAL FOR TRUSS DOCK WITH LEGS** – Hinge latches are included with the Truss Dock Ramp. They retain the ramps to the truss docks. To attach hinge latches, use (2) 1/4"-20 x 1-1/2 hex bolts, (4) 1/4" flat washers and (2) 1/4"-20 hex nuts to attach hinge latch to ramp hinge plates as shown in figure 3.2.

### 3.4.2 TRUSS DOCK RAMP TO FLOATING TRUSS DOCK

1. **REFER TO FIGURE 3.2 & SECTION 5.1** - Attach (2) T-Dock Ramp Hinges on your truss dock section using (2) T-Dock Ramp Mount Clamp, (4) 3/8" carriage bolts, (8) 3/8" flat washers and (4) 3/8" hex nuts as shown in fig. 3.2. Leave hardware loose enough to allow the hinges to be moved into position
2. It is recommended that attachment of truss dock ramp not be completed until the final placement of dock sections in the water. Attach Truss Dock Ramp section to standard truss dock section by aligning the Truss Dock Ramp Hinges with the hinge plates welded to your Truss Dock Ramp. Connect the hinges to the hinge plates by using (2) 3/8"-16 X 3 hex bolts, (2) 3/8" flat washers, and (2) 3/8" hex nuts. Tighten both securely, while allowing truss dock ramp to pivot. Now tighten truss dock ramp hinges to truss dock.
3. When connecting Truss Dock Ramps to floating docks, it is required to attach the included Hinge Latches to the ramp hinge plates using supplied hardware. Failure to do so may result in the ramps detaching from floating docks. Use (2) 1/4"-20 x 1-1/2 hex bolts, (4) 1/4" flat washers and (2) 1/4"-20 hex nuts to attach hinge latch to ramp hinge plates as shown in figure 3.2.

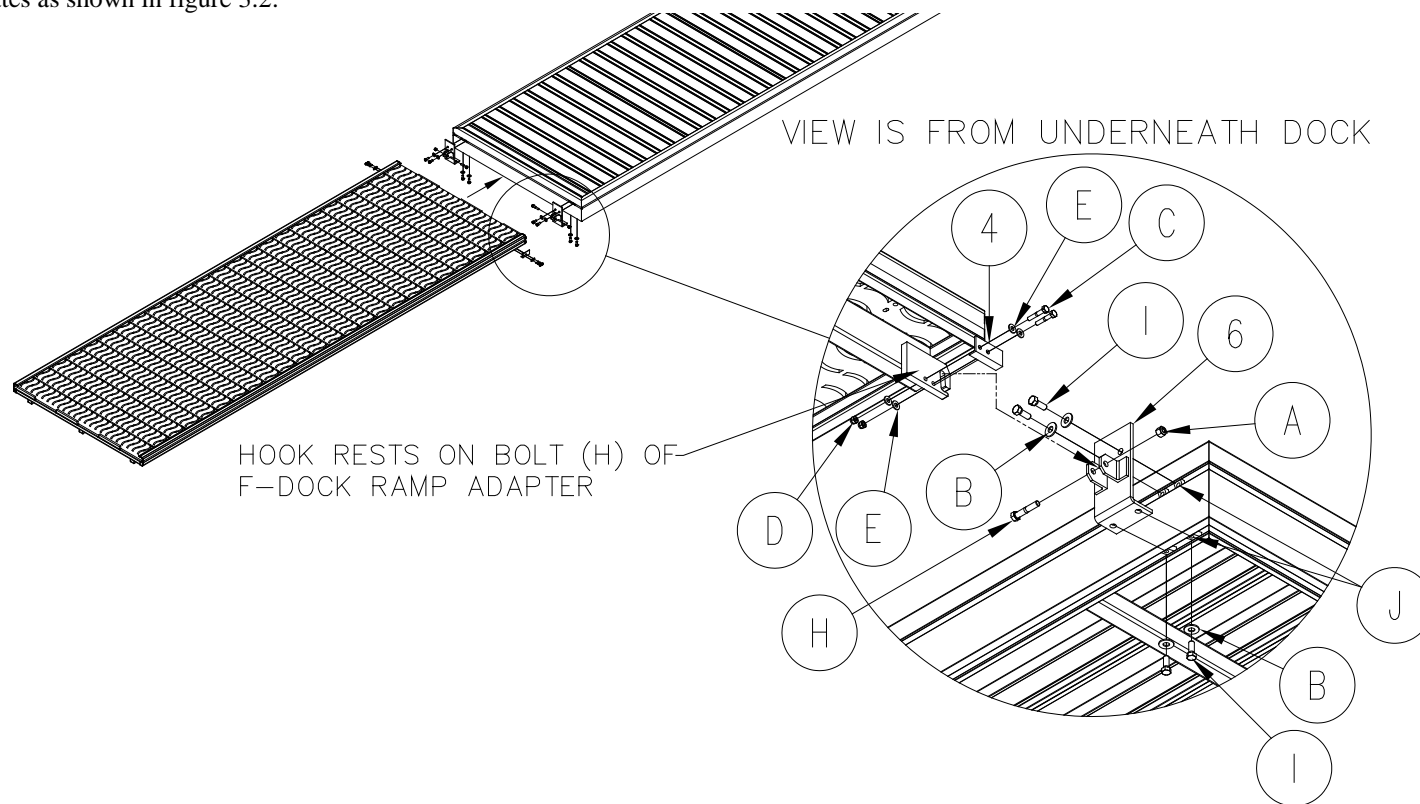


**FIG. 3.2**  
**TRUSS DOCK RAMP TO TRUSS DOCK - ASSEMBLY**



### 3.4.3 TRUSS DOCK RAMP TO F-DOCK

1. **REFER TO FIGURE 3.3 AND SECTION 5.2** - Attach (2) Truss Dock Ramp to F-Dock Hinges on your F-Dock section using (4) 3/8"-16 x 1 hex bolts, (4) 3/8" flat washers and (4) 3/8"-16 drop in aluminum T-nuts as shown in fig. 3.3. Leave hardware loose enough to allow the hinges to be moved into position
2. It is recommended that attachment of truss dock ramp not be completed until the final placement of dock sections in the water. Attach Truss Dock Ramp to F-Dock section by aligning truss dock ramp hinges with the hinge plates welded to your truss dock ramp. Connect the hinges to the hinge plates by using one each 3/8"-16 x 2 hex bolts and a 3/8" aluminum hex nut. Tighten both securely, while allowing truss dock ramp to pivot. Now tighten truss dock ramp hinges to truss dock.
3. When connecting Truss Dock Ramps to floating docks, it is required to attach the included Hinge Latches to the ramp hinge plates using supplied hardware. Failure to do so may result in the ramps detaching from floating docks. Use (2) 1/4"-20 x 1-1/2 hex bolts, (4) 1/4" flat washers and (2) 1/4"-20 hex nuts to attach hinge latch to ramp hinge plates as shown in figure 3.2.



**FIG. 3.3**  
**TRUSS DOCK RAMP TO F-DOCK - ASSEMBLY**

## 4 INSPECTION AND MAINTENANCE

### 4.1 GENERAL MAINTENANCE RULES

1. Do not allow persons other than authorized service personnel to repair this equipment.
2. Do not weld or otherwise modify the dock. Such alterations may weaken the structural integrity of the dock and invalidate your warranty.

### 4.2 ANNUAL INSPECTION

At least once a year, the dock must be thoroughly inspected.



#### **WARNING:**

**DO NOT ALLOW ANYBODY TO USE THE DOCK UNTIL THIS MAINTENANCE IS COMPLETED.**

1. Ensure all bolts are tight.
2. Check frame thoroughly for defects.

### 4.3 STORAGE PROCEDURE

1. Remove the dock before the water freezes.
2. Store the dock away from the edge of the water to prevent ice damage.

## 5 PARTS LISTS

Each reference number in the following parts lists can be matched with the reference number in both the text and illustrations of Chapter 3, Installation and Setup.

### 5.1 TRUSS DOCK RAMP TO TRUSS DOCK KIT

REF #	PART #	QTY	DESCRIPTION
1	AS ORDERED	1	TRUSS DOCK RAMP
	4010252	1	T-DOCK RAMP HINGE COM COP

#### 5.1.1 #4010252 T-DOCK RAMP COM COP

REF #	PART #	QTY	DESCRIPTION
2	4011768	2	T-DOCK RAMP COM MOUNT CLAMP
3	4011539	2	T-DOCK RAMP COM HINGE WELDMENT
4	4010896	1	T-DOCK RAMP HINGE LH LATCH
5	4010899	1	T-DOCK HINGE RH LATCH
	4010255	1	T-DOCK RAMP HINGE COM BOB -CONSISTING OF-
A	5840103	6	3/8-16 ALUMINUM NYLOCK HEX NUT
B	5896406	12	3/8 SAE SS FLAT WASHER
C	5896209	4	1/4-20 X 1-1/2 SS HEX BOLT
D	5893101	4	1/4-20 SS NYLOCK HEX NUT
E	5896955	8	1/4 SS SAE FLAT WASHER
F	5896255	2	3/8-16 X 3 SS HEX BOLT
G	5896323	4	3/8-16 X 2-1/2 SS CARRIAGE BOLT

### 5.2 TRUSS DOCK RAMP TO F-DOCK KIT

REF #	PART #	QTY	DESCRIPTION
1	AS ORDERED	1	TRUSS DOCK RAMP
	4070319	1	T-DOCK RAMP TO T-DOCK HINGE COM COP

#### 5.2.1 #4070319 T-DOCK RAMP TO F-DOCK COM COP

REF #	PART #	QTY	DESCRIPTION
6	4070461	2	T-DOCK RAMP TO F-DOCK ADAPTER HINGE
4	4010896	1	T-DOCK RAMP HINGE LH LATCH
5	4010899	1	T-DOCK HINGE RH LATCH
	4070316	1	T-DOCK RAMP TO F-DOCK HINGE BOB -CONSISTING OF-
A	5840103	2	3/8-16 ALUMINUM NYLOCK HEX NUT
B	5896406	8	3/8 SAE SS FLAT WASHER
C	5896209	4	1/4-20 X 1-1/2 SS HEX BOLT
D	5893101	4	1/4-20 SS NYLOCK HEX NUT
E	5896955	8	1/4 SS SAE FLAT WASHER
H	5896251	2	3/8-16 X 2 SS HEX BOLT
I	5896247	8	3/8-16 X 1 SS HEX BOLT
J	5840701	8	3/8-16 ALUMINUM DROP IN T-NUT

## LIMITED PRODUCT WARRANTY

### Reimann & Georger Corporation Marine Products

RGC Marine products, hereafter referred to as the “Manufacturer”, extends this limited warranty to the original purchaser of this product. The original purchaser, hereinafter referred to as the “Buyer”, is defined as the first legal owner of this product other than an authorized distributor or dealer who has bought the product from the Manufacturer for resale to the public. **The Buyer must complete and return the Warranty Registration section of the provided Warranty Card to make this limited warranty effective.**

#### CONSUMER PRODUCT PROVISIONS

**I. ARTICLE I—CONSUMER PRODUCT PROVISIONS: THE FOLLOWING PROVISIONS SHALL BE APPLICABLE IF THIS PRODUCT IS BEING PURCHASED FOR PERSONAL, FAMILY OR HOUSEHOLD PURPOSES.**

**THE CONSUMER PRODUCT PROVISIONS CONTAINED IN THIS ARTICLE I SHALL APPLY UNLESS THIS PRODUCT IS BEING PURCHASED SOLELY FOR COMMERCIAL OR INDUSTRIAL USE, IN WHICH EVENT THE PROVISIONS CONTAINED IN ARTICLE II BELOW SHALL APPLY AND THE PROVISIONS CONTAINED IN THIS ARTICLE I SHALL BE INAPPLICABLE.**

**A. 1-YEAR LIMITED WARRANTY**

The Manufacturer warrants to the Buyer that the decking shall be free of defects in material and workmanship for a period of one (1) year from date of original purchase. This limited warranty covers the cost of all parts and labor needed to repair any item that is found to be defective in material and workmanship. This warranty does not cover wear and tear, discoloration (fading), scratches, or dents associated with powder coated decking; nor does this warranty cover splitting, checking, warping, or discoloration associated with cedar decking.

**B. 15-YEAR LIMITED WARRANTY ON DOCK ALUMINUM FRAME EXTRUSION**

The Manufacturer warrants to the Buyer that the frame and extrusions shall be free of defects in material and workmanship for a period of fifteen (15) years from date of original purchase. This limited warranty covers the cost of all parts and labor needed to repair any item that is found to be defective in material and workmanship.

**C. MANUFACTURER’S OBLIGATIONS**

The Manufacturer’s sole obligation under either of these limited warranties is the replacement or repair, at the Manufacturer’s discretion, of parts found to be defective.

**D. NO SPECIAL, INCIDENTAL OR CONSEQUENTIAL DAMAGES**

**IN NO EVENT SHALL THE MANUFACTURER BE LIABLE TO THE BUYER OR ANY PERSON FOR ANY INDIRECT, SPECIAL, INCIDENTAL, OR CONSEQUENTIAL LOSSES OR DAMAGES CONNECTED WITH THE USE OF THE PRODUCT UNDER WARRANTY. SUCH DAMAGES FOR WHICH THE MANUFACTURER SHALL NOT BE RESPONSIBLE INCLUDE, BUT ARE NOT LIMITED TO, LOST TIME AND CONVENIENCE, LOSS OF USE OF THE PRODUCT, THE COST OF A PRODUCT RENTAL, COSTS OF GASOLINE, TELEPHONE, TRAVEL, OR LODGING, THE LOSS OF PERSONAL OR COMMERCIAL PROPERTY, AND THE LOSS OF REVENUE.**

Some States do not allow the exclusion or limitation of incidental or consequential damages, so the above limitation or exclusion may not apply to you.

**E. NO LIABILITY IN EXCESS OF PURCHASE PRICE**

**IN NO EVENT SHALL THE MANUFACTURER’S OBLIGATIONS UNDER THIS LIMITED WARRANTY EXCEED THE PURCHASE PRICE OF THE PRODUCT.**

**F. NO EXTENSION OF STATUTE OF LIMITATIONS**

**ANY REPAIRS PERFORMED UNDER EITHER OF THESE WARRANTIES SHALL NOT IN ANY WAY EXTEND THE ONE-YEAR AND FIFTEEN-YEAR STATUTES OF LIMITATIONS CONTAINED IN THIS LIMITED WARRANTY.**

**G. PROCEDURE FOR WARRANTY PERFORMANCE**

If the product fails to perform to the Manufacturer's specifications, the Buyer must contact the dealer from whom the product was purchased. The Buyer must provide the dealer with the applicable model and serial numbers, the date of purchase, and the nature of the problem.

**H. PREAPPROVAL OF LABOR COSTS**

All labor costs related to a dealer's performance of the warranty obligations under this limited warranty must be pre-approved by Reimann & Georger Corp. Marine Products.

**I. NO OTHER EXPRESS WARRANTIES**

**THE MANUFACTURER IS NOT SUBJECT TO ANY EXPRESS WARRANTIES OTHER THAN THOSE SET FORTH ABOVE.**

**J. LIMIT ON DURATION OF IMPLIED WARRANTIES**

**THE DURATION OF ANY IMPLIED WARRANTIES UNDER APPLICABLE STATE LAW RELATING TO THE PURCHASE OF THIS PRODUCT SHALL BE LIMITED TO A PERIOD OF ONE (1) YEAR FROM THE DATE OF PURCHASE.**

Some States do not allow limitations on how long an implied warranty lasts, so the above limitations may not apply to you.

**K. QUESTIONS REGARDING LIMITED WARRANTY**

Any questions regarding this limited warranty or the procedure which the consumer should follow in order to obtain performance of any warranty obligation may be addressed to either the dealer from whom this product is purchased or to Reimann & Georger Corp. Marine Products, 1849 Harlem Road, Buffalo, NY 14212.

**L. EXCLUSIONS FROM LIMITED WARRANTY. THIS LIMITED WARRANTY DOES NOT COVER ANY OF THE FOLLOWING:**

1. Equipment which has been abused, damaged, used beyond rated capacity, or which is damaged or has defects caused by repairs or service completed by persons other than authorized service personnel.
2. Costs of repairing damage caused by environmental factors which include, but are not limited to, airborne fallout, chemicals, tree sap, salt, ocean spray, and water hazards.
3. Damage caused by acts of God which include, but are not limited to, hailstorms, windstorms, tornadoes, sandstorms, lightning, floods, and earthquakes.
4. Damage under conditions caused by fire or accident, by abuse or negligence, by improper installation, by misuse, by incorrect operation, by "normal wear and tear", by improper adjustment or alteration, by alterations not done by the Manufacturer, or by failure of product parts from such alterations.
5. Costs of repairing damage caused by poor or improper maintenance, costs of normally scheduled maintenance, or the cost of replacing any parts unless done as the result of a repair covered by your one-year limited warranty.
6. Costs of modifying the product in any way once delivered to the Buyer, even if such modifications were added as a production change on other products made after the Buyer's product was built.

**M. RIGHT TO MODIFY PRODUCT**

The Manufacturer has the right to modify this product at any time without incurring any obligation to make the same or similar modifications on products previously purchased.

**N. NO AUTHORITY TO ALTER WARRANTY**

No agent, representative, distributor or dealer has any authority to alter the terms of this warranty in any way.

**O. SPECIFIC LEGAL RIGHTS**

This warranty gives you specific legal rights and you may also have other rights which vary from State to State.

## **COMMERCIAL PRODUCT PROVISIONS**

**II. ARTICLE II—COMMERCIAL PRODUCT PROVISIONS: THE FOLLOWING PROVISIONS SHALL BE APPLICABLE ONLY IF THIS PRODUCT IS BEING PURCHASED SOLELY FOR COMMERCIAL OR INDUSTRIAL USE. IF THIS PRODUCT IS BEING PURCHASED FOR PERSONAL, FAMILY OR HOUSEHOLD PURPOSES, THE PROVISIONS CONTAINED IN THIS ARTICLE II SHALL NOT BE APPLICABLE AND THE PROVISIONS CONTAINED IN ARTICLE I ABOVE SHALL APPLY.**

### **A. 1-YEAR LIMITED WARRANTY**

The Manufacturer warrants to the Buyer that the decking shall be free of defects in material and workmanship for a period of one (1) year from date of original purchase. This limited warranty covers the cost of all parts and labor needed to repair any item that is found to be defective in material and workmanship. This warranty does not cover wear and tear, discoloration (fading), scratches, or dents associated with powder coated decking; nor does this warranty cover splitting, checking, warping, or discoloration associated with cedar decking.

### **B. 5-YEAR LIMITED WARRANTY ON DOCK ALUMINUM FRAME EXTRUSION**

The Manufacturer warrants to the Buyer that the frame and extrusions shall be free of defects in material and workmanship for a period of five (5) years from date of original purchase. This limited warranty covers the cost of all parts and labor needed to repair any item that is found to be defective in material and workmanship.

### **C. MANUFACTURER'S OBLIGATIONS**

The Manufacturer's sole obligation under either of these limited warranties is the replacement or repair, at the Manufacturer's discretion, of parts found to be defective.

### **D. NO SPECIAL, INCIDENTAL, OR CONSEQUENTIAL DAMAGES**

**IN NO EVENT SHALL THE MANUFACTURER BE LIABLE TO THE BUYER OR ANY PERSON FOR ANY INDIRECT, SPECIAL, INCIDENTAL, OR CONSEQUENTIAL LOSSES OR DAMAGES CONNECTED WITH THE USE OF THE PRODUCT UNDER WARRANTY. SUCH DAMAGES FOR WHICH THE MANUFACTURER SHALL NOT BE RESPONSIBLE INCLUDE, BUT ARE NOT LIMITED TO, LOST TIME AND CONVENIENCE, LOSS OF USE OF THE PRODUCT, THE COST OF A PRODUCT RENTAL, COSTS OF GASOLINE, TELEPHONE, TRAVEL, OR LODGING, THE LOSS OF PERSONAL OR COMMERCIAL PROPERTY, AND THE LOSS OF REVENUE.**

### **E. NO LIABILITY IN EXCESS OF PURCHASE PRICE**

**IN NO EVENT SHALL THE MANUFACTURER'S OBLIGATIONS UNDER THIS LIMITED WARRANTY EXCEED THE PURCHASE PRICE OF THE PRODUCT.**

### **F. NO EXTENSION OF STATUTE OF LIMITATIONS**

**ANY REPAIRS PERFORMED UNDER EITHER OF THESE WARRANTIES SHALL NOT IN ANY WAY EXTEND THE RESPECTIVE STATUTES OF LIMITATIONS CONTAINED IN THIS LIMITED WARRANTY.**

### **G. WAIVER OF OTHER WARRANTIES**

**THESE EXPRESS WARRANTIES ARE IN LIEU OF AND EXCLUDE ANY AND ALL OTHER WARRANTIES, EXPRESS OR IMPLIED, INCLUDING, BUT NOT LIMITED TO, THE IMPLIED WARRANTIES OR MERCHANTABILITY AND FITNESS FOR A PARTICULAR PURPOSE.**

### **H. PROCEDURE FOR WARRANTY PERFORMANCE**

If the product fails to perform to the Manufacturer's specifications, the Buyer must contact the dealer from whom the product was purchased. The Buyer must provide the dealer with the applicable model and serial numbers, the date of purchase, and the nature of the problem.

**I. PREAPPROVAL OF LABOR COSTS**

All labor costs related to a dealer's performance of the warranty obligations under this limited warranty must be pre-approved by Reimann & Georger Corp. Marine Products.

**J. EXCLUSIONS FROM WARRANTY. THIS LIMITED WARRANTY DOES NOT COVER ANY OF THE FOLLOWING:**

1. Equipment which has been abused, damaged, used beyond rated capacity, or which is damaged or has defects caused by repairs or service completed by persons other than authorized service personnel.
2. Costs of repairing damage caused by environmental factors which include, but are not limited to, airborne fallout, chemicals, tree sap, salt, ocean spray, and water hazards.
3. Damage caused by acts of God which include, but are not limited to, hailstorms, windstorms, tornadoes, sandstorms, lightning, floods, and earthquakes.
4. Damage under conditions caused by fire or accident, by abuse or negligence, by improper installation, by misuse, by incorrect operation, by "normal wear and tear", by improper adjustment or alteration, by alterations not done by the Manufacturer, or by failure of product parts from such alterations.
5. Costs of repairing damage caused by poor or improper maintenance, costs of normally scheduled maintenance, or the cost of replacing any parts unless done as the result of a repair covered by your one-year limited warranty.
6. Costs of modifying the product in any way once delivered to the Buyer, even if such modifications were added as a production change on other products made after the Buyer's product was built.

**K. RIGHT TO MODIFY PRODUCT**

The Manufacturer has the right to modify this product at any time without incurring any obligation to make the same or similar modifications on products previously purchased.

**L. NO AUTHORITY TO ALTER WARRANTY**

No agent, representative, distributor, or dealer has any authority to alter the terms of this warranty in any way.

**M. SPECIFIC LEGAL RIGHTS**

This warranty gives you specific legal rights, and you may also have other rights which vary from State to State.