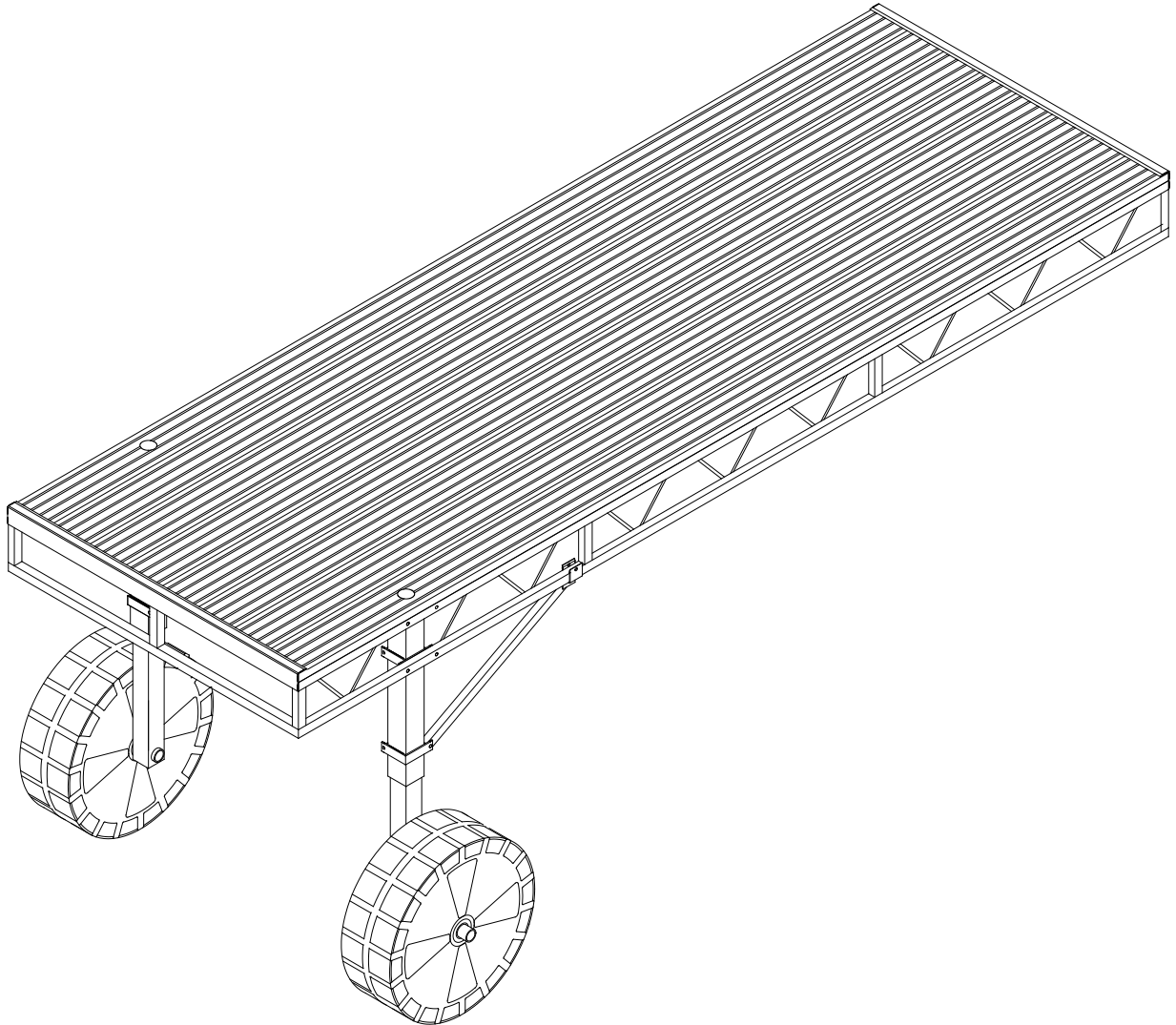




TRUSS DOCK INSTRUCTIONS



REIMANN & GEORGER CORPORATION
MARINE PRODUCTS
P/N 6112206

BUFFALO, NY
03/28/16

1 SPECIFICATIONS

1.1 TECHNICAL DATA

T-DOCK SECTIONS

T-Dock sections are available in three deck options, powder coated aluminum (gray), premium cedar wood, or with Deck Wave decking (gray).

T-Dock Size	powder-coated decking	Deck-Wave poly decking	premium cedar decking
4 ft. x 16 ft.	180 lbs.	185 lbs.	192 lbs.
4 ft. x 12ft.	140 lbs.	144 lbs.	150 lbs.
4 ft. x 8 ft.	90 lbs.	93 lbs.	96 lbs.
8 ft. x 8 ft.	190 lbs.	193 lbs.	202 lbs.
5 ft. x 16 ft.	225 lbs.	231 lbs.	240 lbs.
4 ft. Corner	32 lbs.	38 lbs.	xxx lbs.

T-DOCK LEG BUNDLES (PR)

PART NO.	T-DOCK LEG BUNDLE (PR)	WATER DEPTH RANGE
4010130	T-Dock leg bundle 21" Shallow	13-3/8" to 24-3/8"
4010135	T-Dock leg bundle 29" Medium	21-1/2" to 39-7/16"
4010140	T-Dock leg bundle 44" Deep	36-1/2" to 68-3/16"
4010145	T-Dock leg bundle 56" X Deep	48-1/2" to 92-3/16"
4010150	T-Dock leg bundle 80" 2X Deep	72-1/2" to 137"
4010180	T-Dock Shoreline leg bdl. 30"w/foot plate	0" to 13"
4010160	T-Dock Shoreline leg bdl. 48"w/foot plate	0" to 31"
4010185	T-Dock Shoreline leg bdl. 72"w/foot plate	0" to 55"
4010187	T-Dock External leg bdl. 96" w/foot plate	48" to 79"
4010189	T-Dock External leg bdl 120" w/foot plate	48" to 103"

2 INSTALLATION AND SETUP

2.1 PRE-INSTALLATION CHECKS

1. Check the packing list to insure that you have all the parts for the dock configuration you are planning to build. Ensure you have the desired type of deck.
2. If any parts are missing or damaged, contact your local supplier or Reimann & Georger Corporation. Do NOT assemble the dock if any part shows any signs of damage.
3. Do not weld or otherwise modify any part of the dock assembly. Such alterations may weaken the structural integrity of the dock and void the warranty.
4. Check water depth every ten feet where each support post will be located.
5. Do not assemble the dock without first reviewing all the safety procedures described in Chapter 1.

2.2 WHEEL KIT ASSEMBLY INSTRUCTIONS



WARNING:

FAILURE TO APPLY A SUITABLE LUBRICANT TO THE MATING SURFACES OF STAINLESS STEEL THREADED FASTENERS MAY CAUSE GALLING AND/OR SEIZING OF ASSEMBLY.

T-DOCK LEG ASSEMBLY FOR 21", 29" & 44"

1. **Refer to Figure 2-1 or Figure 2-2.** Turn dock upside down and block to deck surface.
2. Position wheel kit leg (detail 1) with axle facing out. (The wheel kit leg may be turned 180-degrees for special conditions, such as boat lift clearance.) Slide large leg bracket onto leg as shown.
3. Stainless steel threaded fasteners have a natural tendency to “gall, lock-up, or seize” during assembly and disassembly. **Lubricate** stainless steel threaded fasteners with a suitable lubricant. Common suitable lubricants contain molybdenum disulfide, graphite, mica, or talc.
4. Slide leg into pre-installed brackets on the dock as shown.
5. Use 3/8-16 x 4" HHCS bolts (detail B), flat washer (detail D) & hex nut (detail C) to clamp the brackets to the leg. Torque to 30 FT-LBS.
6. Install (2) diagonal brace mounting brackets (detail 4) to the dock frame using 3/8-16 x 1-3/4" HHCS (detail G) , flat washer (detail D) & Hex nut (detail C).
7. **Refer to figure 2-3 or Figure 2-4.** Attach (2) 26-3/4" center braces (detail 5) to large leg bracket (detail 3) using 3/8-16 x 5" HHCS bolts (detail H), flat washer (detail D) & hex nut (detail C). NOTE: braces are not supplied with 21" leg kit (shallow). Do not tighten any fasteners until all braces are attached and legs are square with dock.
8. Connect the other end of 26-3/4" center braces (detail 5) to the center bracket on the dock using the 3/8-16 x 1-3/4" HHCS (detail G), flat washer (detail D) & Hex nut (detail C).
9. Attach the (2) 26-3/4" outer brace (detail 5) to the outer tab of the large leg bracket (detail 3) using the 3/8-16 x 1-3/4" HHCS (detail G), flat washer (detail D) & Hex nut (detail C).
10. Attach the other end of the outer brace (detail 5) to the diagonal brace mounting bracket (detail 4) using the 3/8-16 x 1-3/4" HHCS (detail G), flat washer (detail D) & Hex nut (detail C).
11. Square the wheel kit legs with the dock and tighten all nuts and bolts. Torque to 20 FT-LBS.
12. **Refer to figure 2-7.** Install the wheels onto the dock with the hub facing toward the leg assembly. Install the nylon washer (detail I) and the pin (detail J).
13. **Refer to figure 2-1 or Figure 2-2.** Insert 1" plastic plug into the grease hole inside of the leg.
14. Turn the dock right side up.

15. **Refer to figure 2-8.** If another section is to be connected, install T-Dock connect bracket (detail 2). Use bolts (detail A) and Hex nut (detail C) to the dock frame. The second dock section can be connected to this connector using the middle section. Install bolts (detail A) and Hex nut (detail C) to secure second dock section to the first dock section. PLEASE NOTE: The outside position of the T-Dock connect is to used only for towing dock sections in and out of the water and not to be used as permanent installation.
16. Using a 1-1/4" socket, adjust the height of the dock so that the top of the dock is approximately 19" above the water. Turn the adjusting nut counterclockwise to raise the dock and clockwise to lower the dock. Use a level to make sure all dock surfaces are level.



WARNING:

IF YOU CANNOT TURN THE ADJUSTING NUT, DO NOT FORCE IT- YOU MAY HAVE REACHED THE END OF THE ADJUSTMENT RANGE. ONCE THE DOCK IS LEVELED, INSERT 2" PLASTIC CAPS (DETAIL F) IN ADJUSTMENT NUT HOLE.

T-DOCK LEG ASSEMBLY FOR 56" & 80"

17. **Refer to Figure 2-1 or Figure 2-2.** Turn dock upside down and PROTECT deck surface.
18. Position wheel kit leg (detail 1) with axle facing out. (The wheel kit leg may be turned 180-degrees for special conditions, such as boat lift clearance.) Slide large leg bracket onto leg as shown.
19. Stainless steel threaded fasteners have a natural tendency to "gall, lock-up, or seize" during assembly and disassembly. **Lubricate** stainless steel threaded fasteners with a suitable lubricant. Common suitable lubricants contain molybdenum disulfide, graphite, mica, or talc.
20. Slide leg into pre-installed brackets on the dock as shown.
21. Use 3/8-16 x 4" HHCS bolts (detail B), flat washer (detail D) & hex nut (detail C) to clamp the brackets to the leg. Torque to 30 FT-LBS.
22. Install (2) diagonal brace mounting brackets (detail 4) to the dock frame using 3/8-16 x 1-3/4" HHCS (detail G) , flat washer (detail D) & Hex nut (detail C).
23. Refer to figure 2-5 or Figure 2-6. Attach (2) 26-3/4" center braces (detail 5) to large leg bracket (detail 3) using 3/8-16 x 5" HHCS bolts (detail H), flat washer (detail D) & hex nut (detail C). NOTE: braces are not supplied with 21" leg kit (shallow). Do not tighten any fasteners until all braces are attached and legs are square with dock.
24. Connect the other end of 26-3/4" center braces (detail 5) to the center bracket on the dock using the 3/8-16 x 1-3/4" HHCS (detail G), flat washer (detail D) & Hex nut (detail C).
25. Attach the (2) 48-1/16" leg cross braces (detail 6) to the leg brace bracket (detail 3) using 3/8-16 x 5" HHCS (detail H), flat washer (detail D) & Hex nut (detail C).
26. Attach the (2) 54-3/4" side brace (detail 7) to the outer tab of the large leg bracket (detail 3) using the 3/8-16 x 1-3/4" HHCS (detail G), flat washer (detail D) & Hex nut (detail C).
27. Attach the other end of the outer brace (detail 7) to the diagonal brace mounting bracket (detail 4) using the 3/8-16 x 1-3/4" HHCS (detail G), flat washer (detail D) & Hex nut (detail C).
28. Square the wheel kit legs with the dock and tighten all nuts and bolts. Torque to 20 FT-LBS.
29. **Refer to figure 2-7.** Install the wheels onto the dock with the hub facing toward the leg assembly. Install the nylon washer (detail I) and the pin (detail J).
30. **Refer to figure 2-1.** Insert 1" plastic plug (E) into the grease hole inside of the leg.
31. Turn the dock right side up.
32. **Refer to figure 2-8.** If another section is to be connected, install T-Dock connect bracket (detail 2). Use bolts (detail A) and Hex nut (detail C) to the dock frame. The second dock section can be connected to this connector using the middle section. Install bolts (detail A) and Hex nut (detail C) to secure second dock section to the first dock section. PLEASE NOTE: The outside position of the T-Dock connect is to used only for towing dock sections in and out of the water and not to be used as permanent installation.

33. Using a 1-1/4" socket, adjust the height of the dock so that the top of the dock is approximately 19" above the water. Turn the adjusting nut counterclockwise to raise the dock and clockwise to lower the dock. Use a level to make sure all dock surfaces are level.

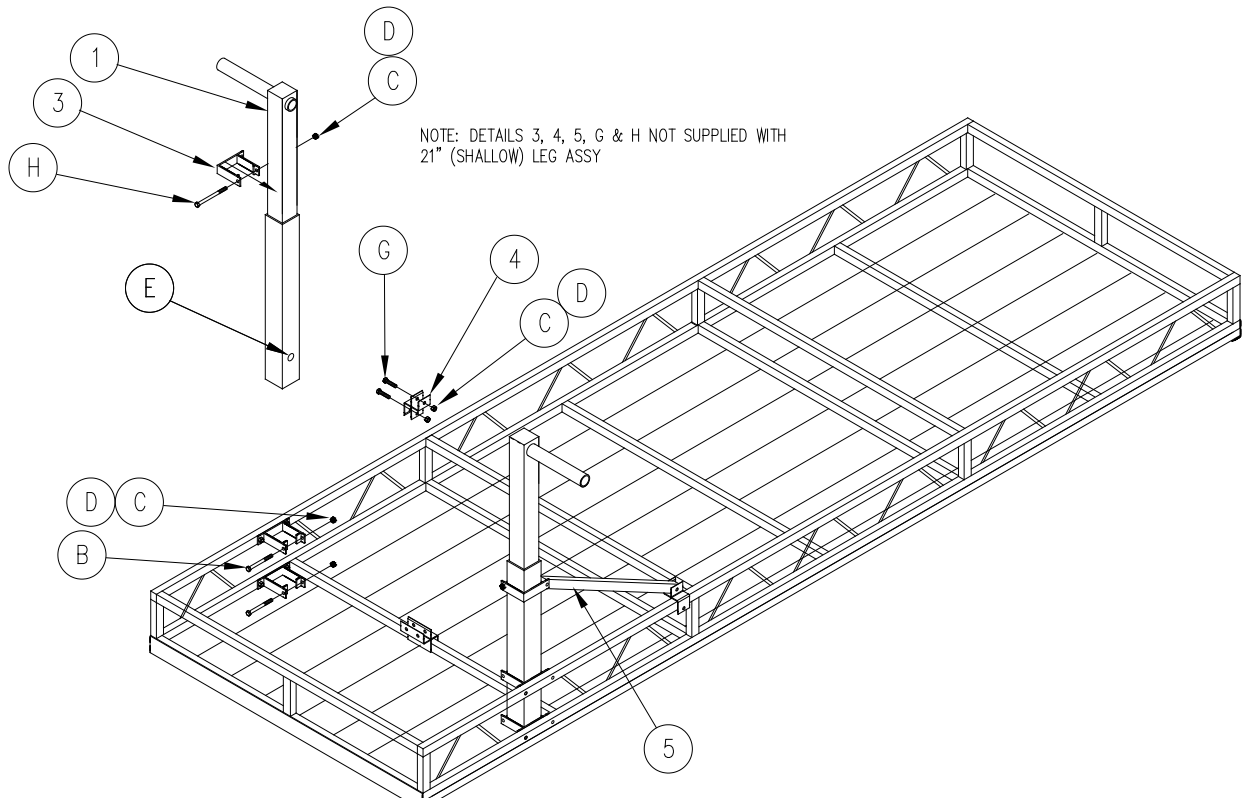


Figure 2-1
T-Dock w/Alum Deck Leg Kit Assembly

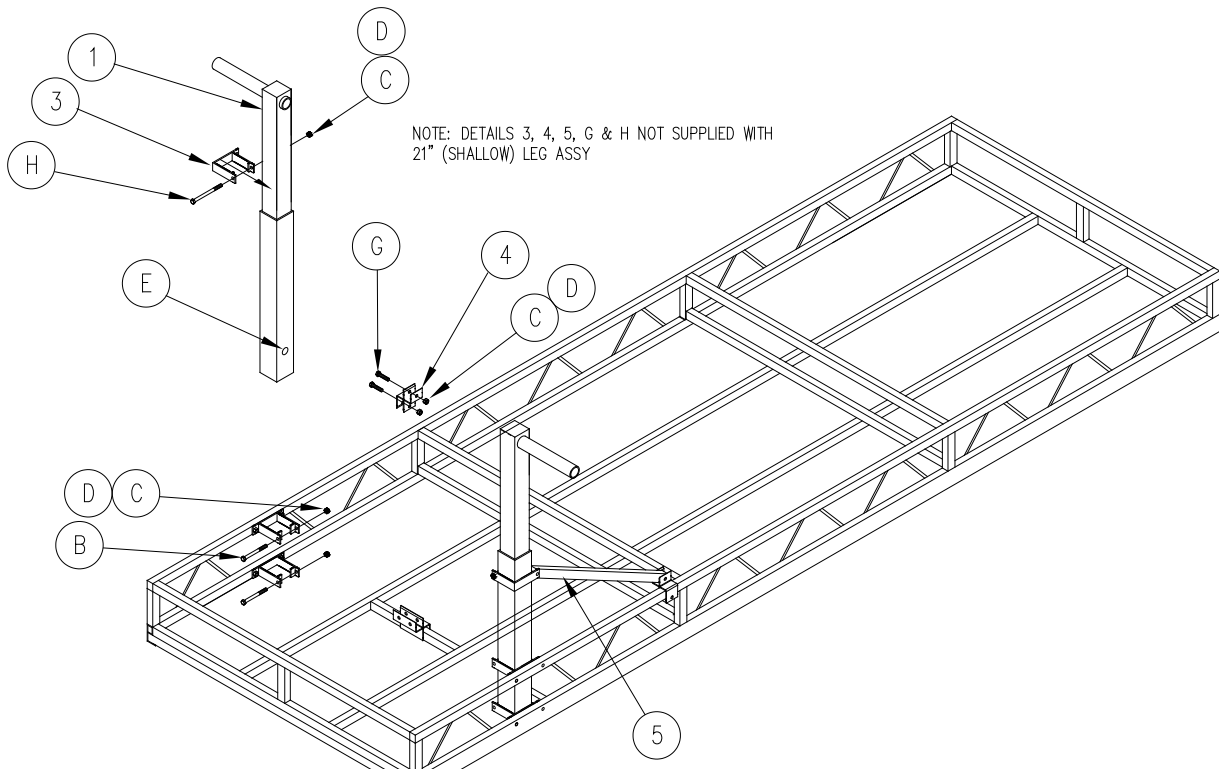


Figure 2-2
T-Dock w/Alum Deck Leg Kit Assembly

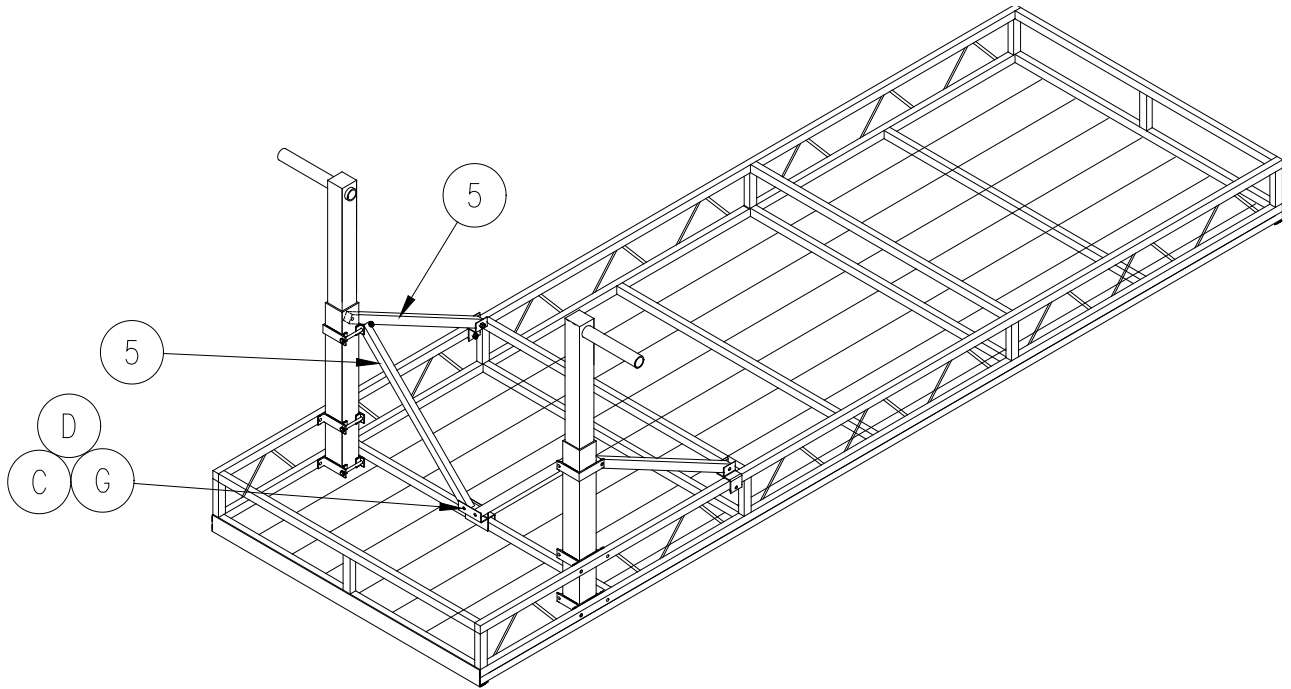


Figure 2-3
 T-Dock w/Alum Deck
 Leg Bracing Assembly (21", 29" & 44")

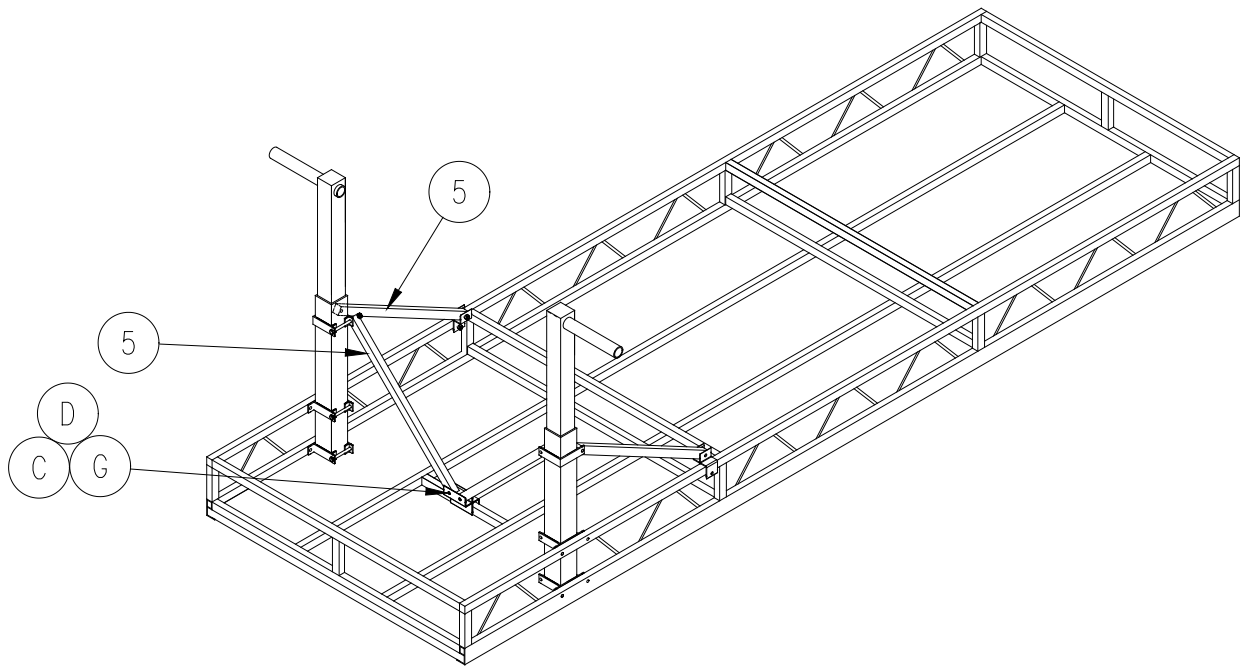


Figure 2-4
 T-Dock w/Slide-in Deck
 Leg Bracing Assembly (21", 29" & 44")

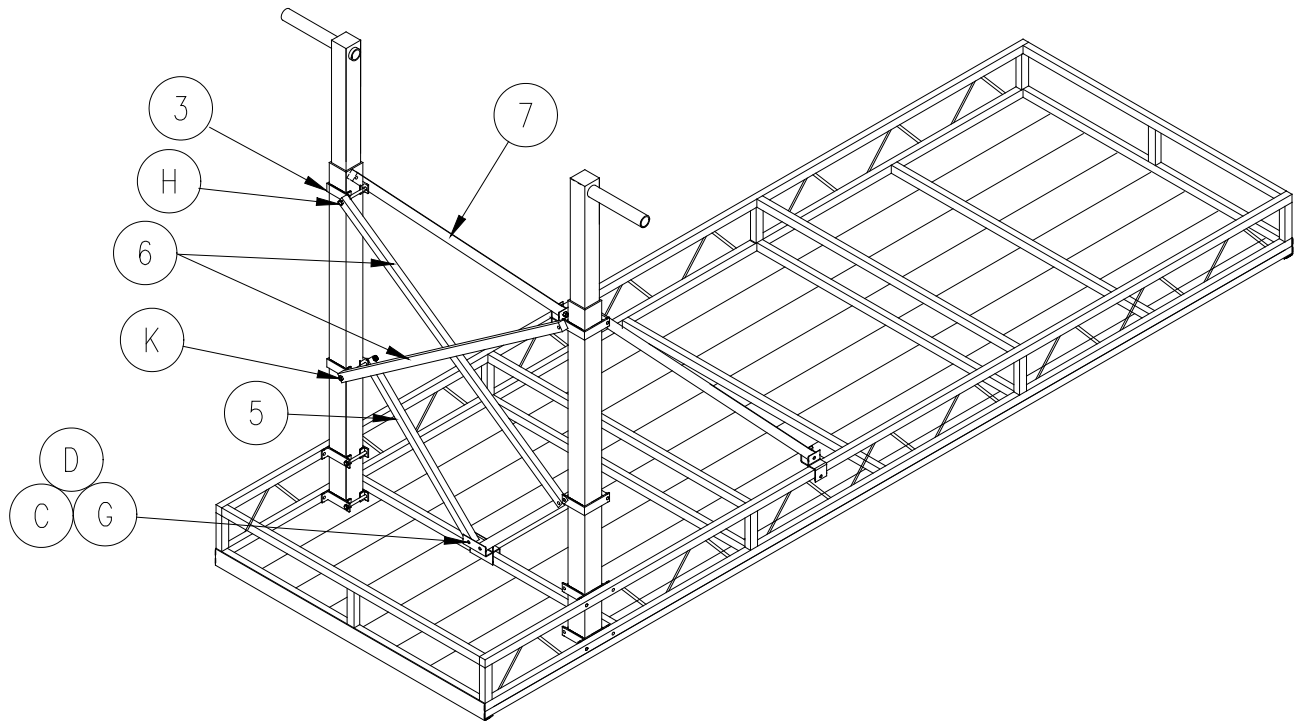


Figure 2-5
 T-Dock w/Alum Deck
 Leg Bracing Assembly (54" & 80")

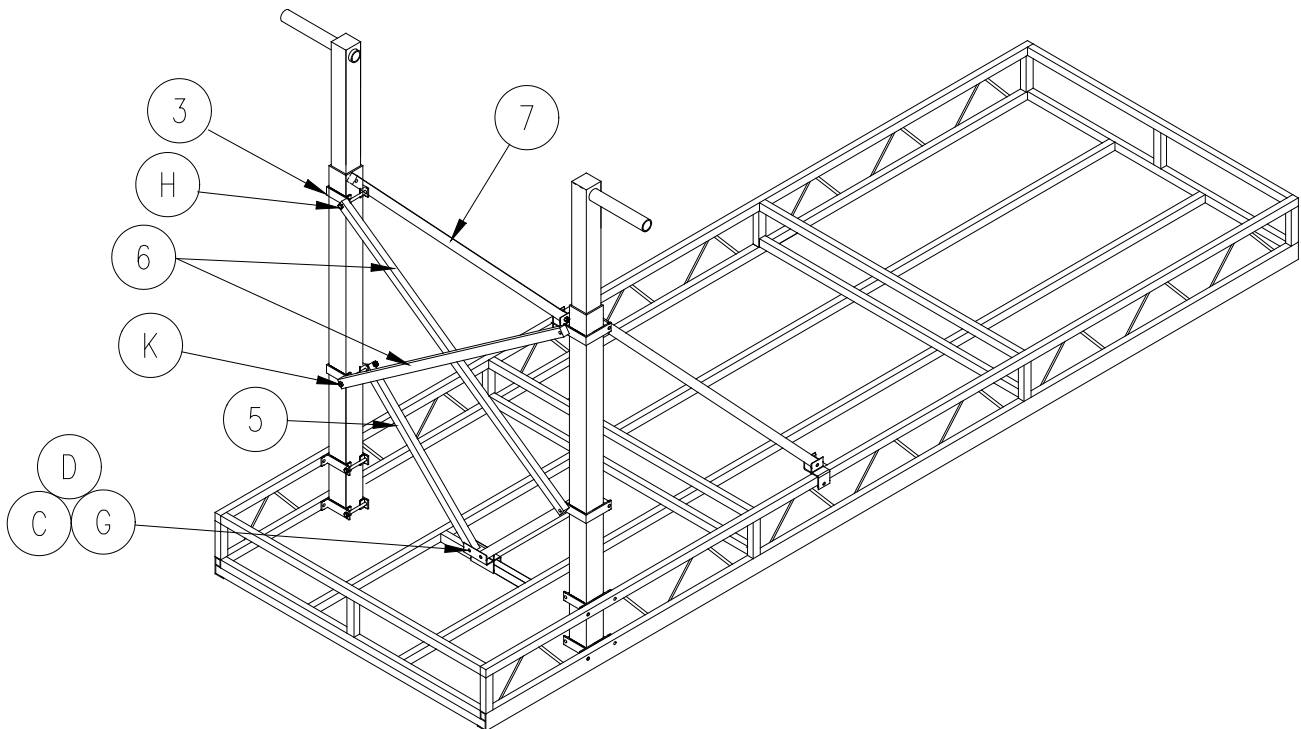


Figure 2-6
 T-Dock w/Slide-in Deck
 Leg Bracing Assembly (54" & 80")

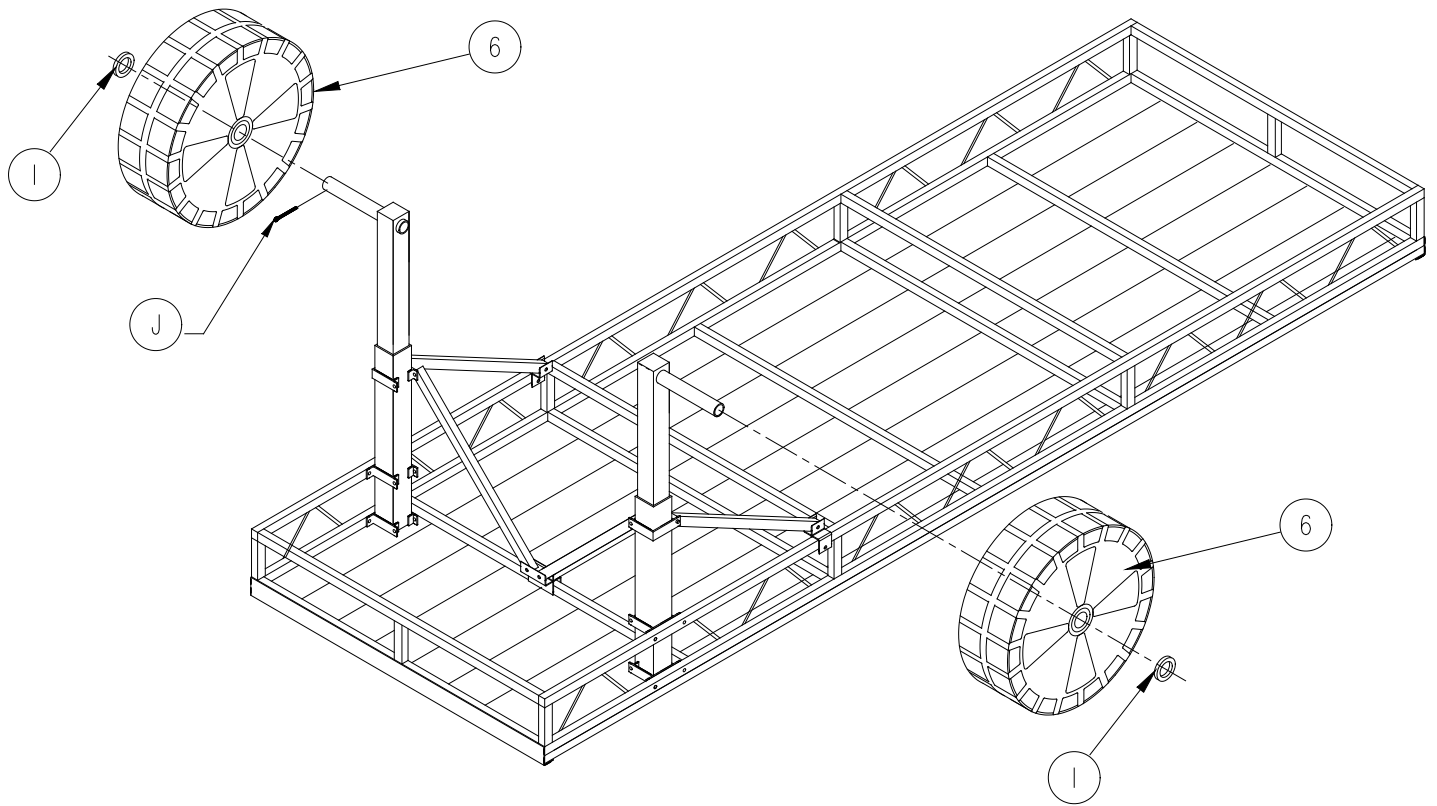


Figure 2-7
T-Dock Wheel Assembly

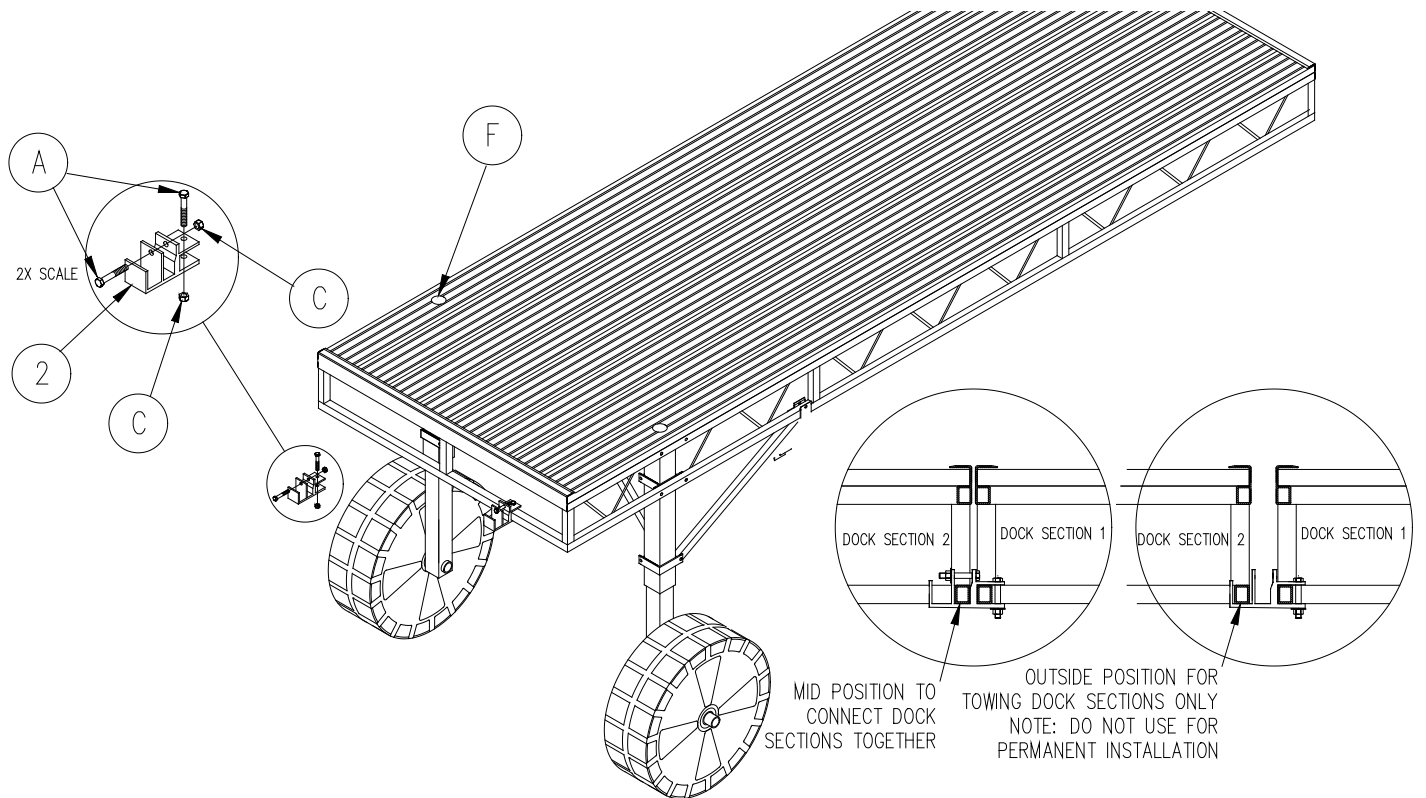


Figure 2-8
T-Dock Connector Bracket Assembly



CAUTION:

IF THE GROUND IS SOFT, IT MAY BE NECESSARY TO PLACE BLOCKS UNDER THE RAMP SECTION TO STOP IT FROM SINKING INTO THE GROUND.

2.3 DOCK SHORELINE LEG FRAME SUPPORT ASSEMBLY

1. (Refer to Figure 2-9) Attach the shoreline support bracket weldment (detail 12), to the dock frame. Fasten using two each, 3/8" hex head cap screw (detail W), flat washer (detail Y), and hex nut (detail X). Tighten securely.
2. Attach footplate (detail 10), to lower tube using the 3/8-16 x 3" HHCS (detail Z), flat washer (detail Y) and hex nut (detail X).
3. Install shoreline square leg 48" (detail 11) into the shoreline support weldment (detail 12). Insert 1/2-13 square nut (detail U) & 1/2-13 x 1-3/4 screw (detail V). Adjust dock height and tighten the screws to secure dock height.
4. Install plastic cap (detail 13) on end of shoreline square leg (detail 11).

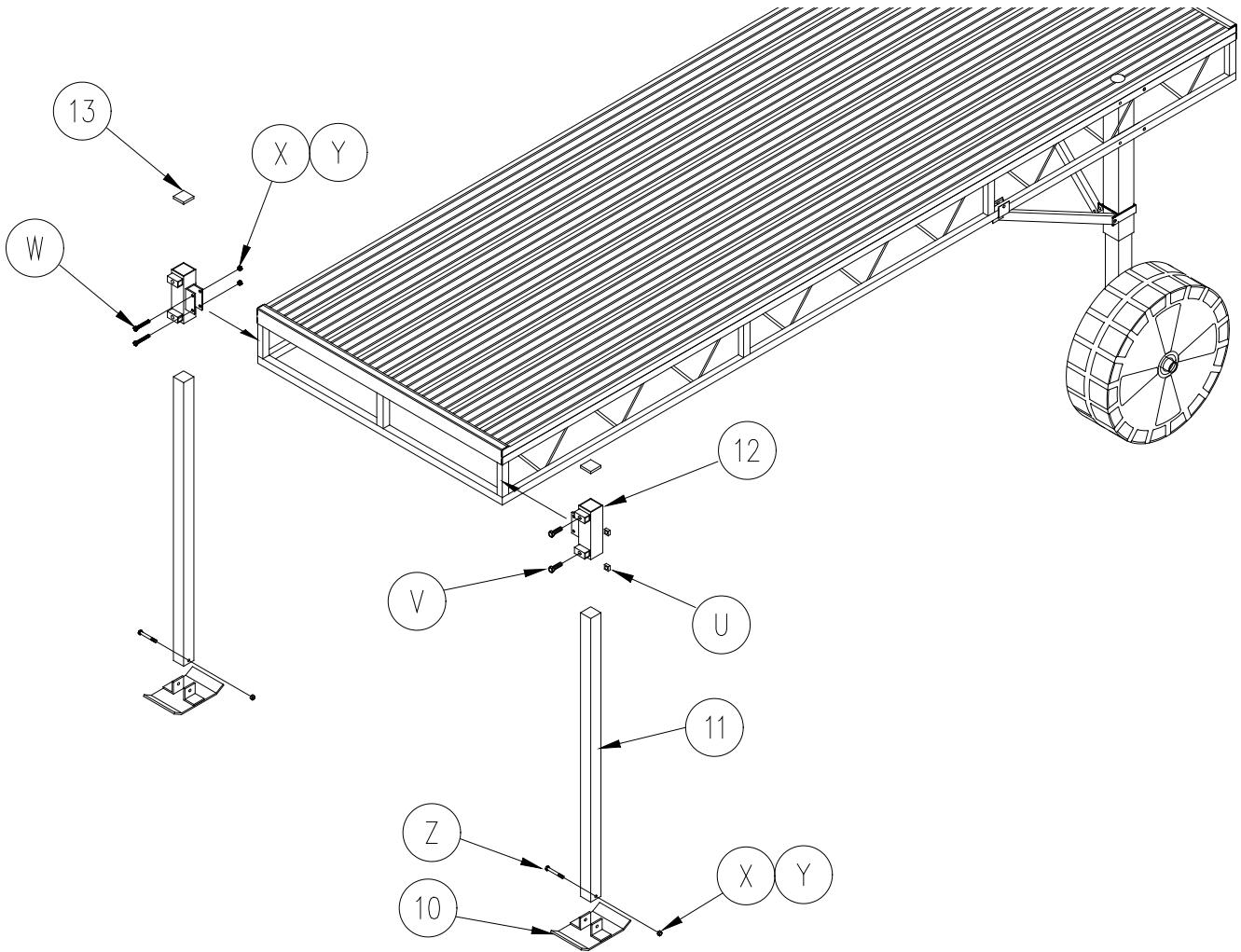


Figure 2-9
T-Dock Shoreline Leg Assembly

2.4 8' AND 10' EXTERNAL DOCK LEG FRAME SUPPORT ASSEMBLY

1. **(Refer to Figure 2-10)** Attach the shoreline support bracket weldment (detail 12), to the dock frame. Fasten using two each, 3/8" hex head cap screw (detail W), flat washer (detail Y), and hex nut (detail X). Tighten securely.
2. Attach footplate (detail 10), to lower tube using the 3/8-16 x 3" HHCS (detail Z), flat washer (detail Y) and hex nut (detail X).
3. Slide external leg diagonal bracket (detail 15) onto the external leg (detail 16) as shown.
4. Install external dock leg (detail 16) into the shoreline support weldment (detail 12). Insert 1/2-13 square nut (detail U) & 1/2-13 x 1-3/4 screw (detail V). Adjust dock height and tighten the screws to secure dock height.
5. Install (4) diagonal brace mounting brackets (detail 4) onto the dock frame using 3/8-16 x 1-3/4" hex head cap screw (detail V), 3/8 flat washer (detail Y) and 3/8 hex nut (detail X). Leave the brackets loose so that they can be adjusted later.
6. Attach diagonal brace (detail 7) to diagonal brace mounting brackets (detail 4) and external leg diagonal mounting bracket (detail 15) using 3/8-16 x 1-3/4 hex head cap screw (detail V), 3/8 flat washer (detail Y) and 3/8 hex nut (detail X). Tighten all 3/8 hardware to secure diagonals.
7. Install plastic cap (detail 14) on end of shoreline square leg (detail 16).

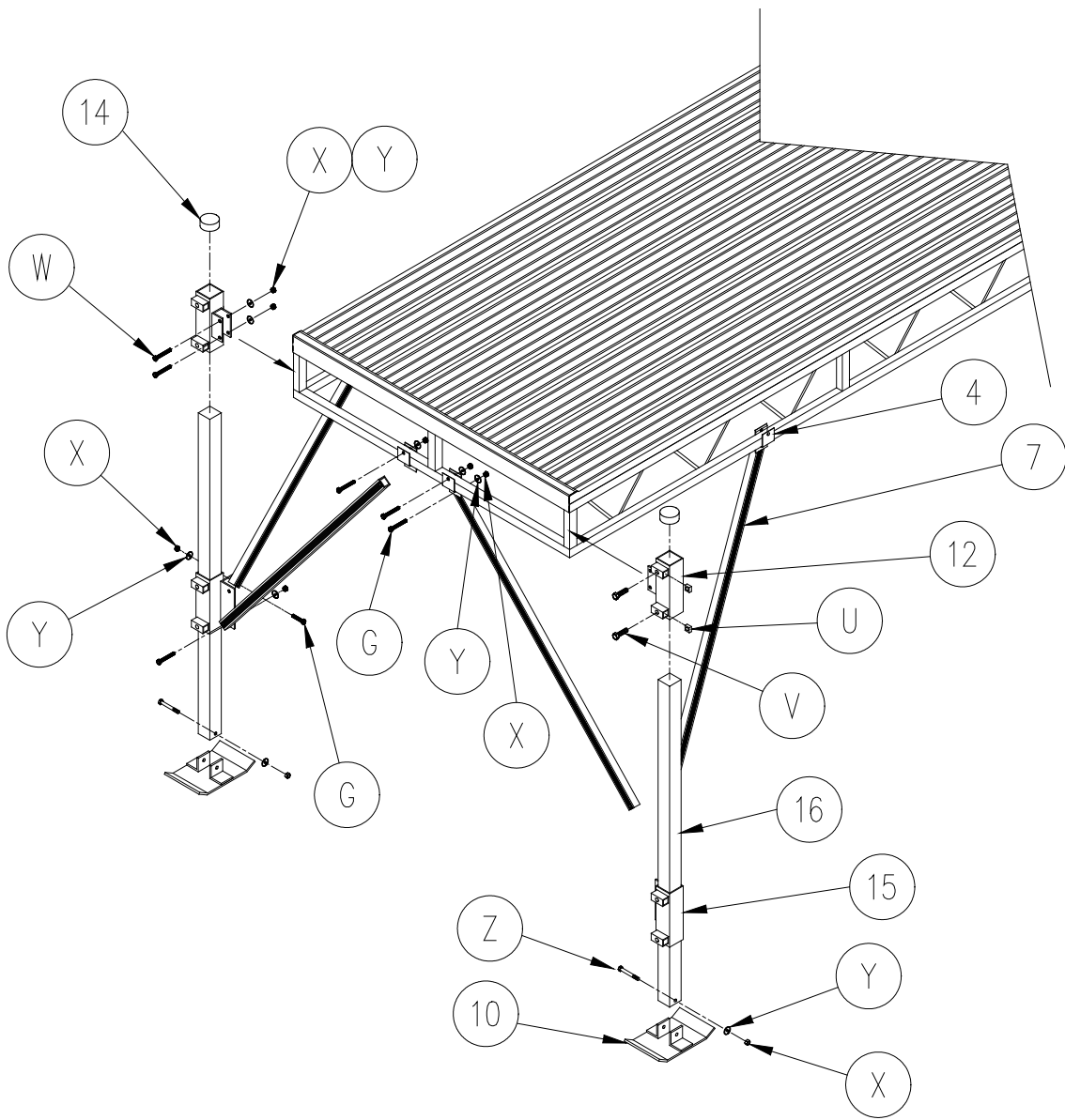


Figure 2-10
 T-Dock External Leg Assembly w/optional bracing
 (96" and 120")

2.5 DOCK END SHORELINE LEG FRAME SUPPORT ASSEMBLY

1. (Refer to **Figure 2-11**) Attach the dock end shoreline support bracket weldment (detail 17), to the dock frame. Fasten using two each, 3/8" hex head cap screw (detail W), flat washer (detail Y), and hex nut (detail X). Tighten securely.
2. Attach footplate (detail 10), to lower tube using the 3/8-16 x 3" HHCS (detail Z), flat washer (detail Y) and hex nut (detail X).
3. Install shoreline square leg (detail 11) into the shoreline support weldment (detail 17). Insert 1/2-13 square nut (detail U) & 1/2-13 x 1-3/4 screw (detail V). Adjust dock height and tighten the screws to secure dock height.
4. Install plastic cap (detail 13) on end of shoreline square leg (detail 11).

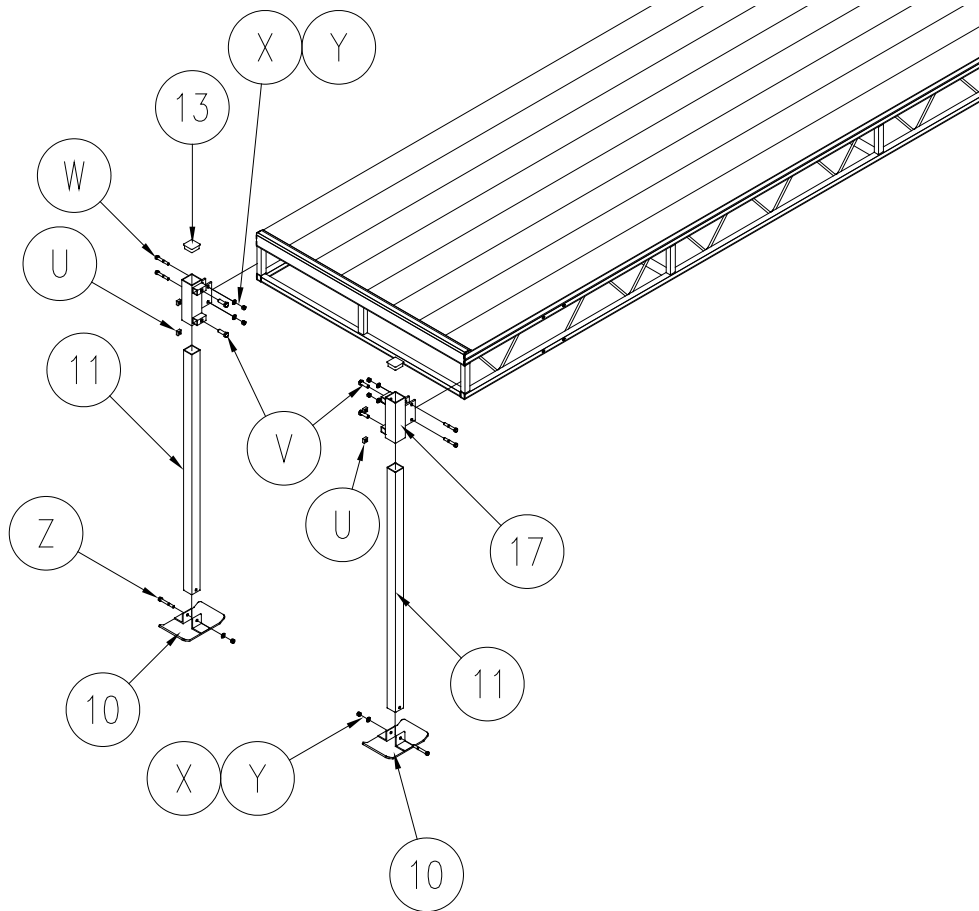


Figure 2-11
T-Dock End Shoreline Leg Assembly

3 PARTS LISTS

Each reference number in the following parts lists can be matched with the reference number in both the text and illustrations of Chapter 3, Installation and Setup.

3.1 T-DOCK , LEG ASSEMBLY BUNDLES & WHEELS

REF #	PART #	QTY	DESCRIPTION
	4010108		T-DOCK SECTION 2' X 16' W/ALUM DECK
	4010110		T-DOCK SECTION 4' X 16' W/ALUM DECK
	4010105		T-DOCK SECTION 4' X 12' W/ALUM DECK
	4010115		T-DOCK SECTION 5' X 16' W/ALUM DECK
	4010125		T-DOCK SECTION 4' WEDGE W/ALUM DECK
	4010120		T-DOCK SUNDECK 8' X 8' W/ALUM DECK
	4010165		T-DOCK SUNDECK 4' X 8' W/ALUM DECK
	4010122		T-DOCK SUNDECK 6' X 12' W/ALUM DECK
	4010124		T-DOCK SUNDECK 8' X 12' W/ALUM DECK
	4011112		T-DOCK SECTION 4' X 16' W/POLY DECK
	4011108		T-DOCK SECTION 4' X 12' W/POLY DECK
	4011104		T-DOCK SUNDECK 4' X 8' W/POLY DECK
	4011116		T-DOCK SUNDECK 8' X 8' W/POLY DECK
	4011120		T-DOCK SUNDECK 6' X 12' W/POLY DECK
	4011124		T-DOCK SUNDECK 8' X 12' W/POLY DECK
	4011206		T-DOCK SECTION 4' WEDGE W/POLY DECK
	4012103		T-DOCK SECTION 2' X 8' W/CEDAR DECK
	4012110		T-DOCK SECTION 2' X 16' W/CEDAR DECK
	4012111		T-DOCK SECTION 4' X 16' W/CEDAR DECK
	4012113		T-DOCK SECTION 5' X 16' W/CEDAR DECK
	4012108		T-DOCK SECTION 8' X 8' W/CEDAR DECK
	4012109		T-DOCK SECTION 5' X 12' W/CEDAR DECK
	4012105		T-DOCK SUNDECK 4' X 8' W/CEDAR DECK
	4012120		T-DOCK SUNDECK 8' X 8' W/CEDAR DECK
	4012123		T-DOCK SUNDECK 6' X 12' W/CEDAR DECK
	4012126		T-DOCK SUNDECK 8' X 12' W/CEDAR DECK
	4012102		T-DOCK SECTION 4' CORNER W/CEDAR DECK
	4010130		T-DOCK LEG BUNDLE (PR) 21" –SHALLOW See Section 3.3
	4010135		T-DOCK LEG BUNDLE (PR) 29" –MEDIUM See Section 3.4
	4010140		T-DOCK LEG BUNDLE (PR) 44" –DEEP See Section 3.5
	4010145		T-DOCK LEG BUNDLE (PR) 56" –X-DEEP See Section 3.6
	4010150		T-DOCK LEG BUNDLE (PR) 80" –2X-DEEP See Section 3.7
	4010160		T-DOCK SHORELINE LEG (PR) W/FOOT PLATE 48" See Section 3.8
	4010180		T-DOCK SHORELINE LEG (PR) W/FOOT PLATE 30" See Section 3.9
	4010185		T-DOCK SHORELINE LEG (PR) W/FOOT PLATE 72" See Section 3.10
	4010187		T-DOCK SHORELINE LEG (PR) W/FT PLT 96" w/o bracing See Sect. 3.11
	4010189		T-DOCK SHORELINE LEG (PR) W/FT PLT 120" w/o bracing See Sect. 3.12
	4010188		T-DOCK SHORELINE LEG (PR) 96" & 120" bracing See Section 3.13
8	7639122		POLYWHEEL 22" RGC SHORT AXLE

3.2 T-DOCK ACCESSORIES (OPTIONAL)

REF #	PART #	QTY	DESCRIPTION
	4010905		T-DOCK CLEAT 10" BLACK
	4010910		T-DOCK CORNER BUMPER 9-1/4" GRAY
	4010915		T-DOCK CORNER BUMPER 9-1/4" WHITE
	4010920		T-DOCK GUIDE POST ASSY GRAY
	4010925		T-DOCK GUIDE POST ASSY WHITE
	4013109		T-DOCK 4-STEP LADDER
	4013106		T-DOCK 3-STEP LADDER
	4013112		T-DOCK 4-STEP STAIRS
	4013103		4' ALUMINUM BENCH
	4013012		T-DOCK KAYAK RACK KIT
	4010052		T-DOCK RAMP SECTION 4' X 6' ALUM DECK W/HARDWARE
	4010053		T-DOCK RAMP SECTION 4' X 8' ALUM DECK W/HARDWARE
	4010055		T-DOCK RAMP SECTION 4' X 12' ALUM DECK W/HARDWARE
	4010058		T-DOCK RAMP SECTION 6' X 8' ALUM DECK W/HARDWARE
	4011031		T-DOCK RAMP SECTION 4' X 6' POLY DECK W/HARDWARE
	4011034		T-DOCK RAMP SECTION 4' X 12' POLY DECK W/HARDWARE
	4012005		T-DOCK RAMP SECTION 4' X 6' CEDAR DECK W/HARDWARE
	4012014		T-DOCK RAMP SECTION 4' X 12' CEDAR DECK W/HARDWARE

3.3 4010130 T-DOCK LEG BUNDLE (PR) 21" (SHALLOW)

REF #	PART #	QTY	DESCRIPTION
1	4010501	2	T-DOCK WHEEL 21" LEG ASSY
	4010201	1	T-DOCK LEG HARDWARE 21" (PR) COP including:
2	4010635	2	T-DOCK CONNECT BRKT 2" 3GROOVE
	4010210		T-DOCK LEG HARDWARE 21" BOB including:
A	5896253	4	HHCS 3/8-16 X 2-1/2 SS
B	5896259	4	HHCS 3/8-16 X 4 SS
C	5840104	8	NUT HEX 3/8-16 ALUM
D	5896406	8	WASHER FLAT SAE 3/8" SS
E	6440103	2	PLASTIC CAP 1" LOCKING
F	6440111	2	PLUG RIBBED 2-1/4X0.90L GRAY
I	4010935	2	T-DOCK WHEEL THRUST WASHER
J	5806427	2	COTTER PIN 5/16 X 3 SS or (2/11 & earlier)
	5840010	2	PIN, CLEVIS 5/16 X 2 SS DETENT (3/11)

3.4 4010135 T-DOCK LEG BUNDLE (PR) 29" (MEDIUM)

REF #	PART #	QTY	DESCRIPTION
1	4010504	2	T-DOCK WHEEL 29" LEG ASSY
	4010204	1	T-DOCK LEG HARDWARE 29" & 44" (PR) COP including:
2	4010635	2	T-DOCK CONNECT BRKT 2" 3GROOVE
3	4010667	2	T-DOCK LEG BRACE MTG BRKT
4	4010839	2	T-DOCK DIAGONAL BRACE BRKT 2"
5	4010848	4	T-DOCK LEG DIAGONAL BRACE 26-3/4"
	4010213		T-DOCK LEG HARDWARE 29" & 44" BOB including:
A	5896253	4	HHCS 3/8-16 X 2-1/2 SS

B	5896259	4	HHCS 3/8-16 X 4 SS
C	5840104	18	NUT HEX 3/8-16 ALUM
D	5896406	18	WASHER FLAT SAE 3/8" SS
E	6440103	2	PLASTIC CAP 1" LOCKING
F	6440111	2	PLUG RIBBED 2-1/4X0.90L GRAY
G	5896250	8	HHCS 3/8-16 X 1-3/4 SS
H	5896263	2	HHCS 3/8-16 X 5 SS
I	4010935	2	T-DOCK WHEEL THRUST WASHER
J	5806427	2	COTTER PIN 5/16 X 3 SS or (2/11 & earlier)
	5840010	2	PIN, CLEVIS 5/16 X 2 SS DETENT (3/11)

3.5 4010140 T-DOCK LEG BUNDLE (PR) 44" (DEEP)

REF #	PART #	QTY	DESCRIPTION
1	4010507	2	T-DOCK WHEEL 44" LEG ASSY
	4010204	1	T-DOCK LEG HARDWARE 29"&44" (PR) COP including:
2	4010635	2	T-DOCK CONNECT BRKT 2" 3GROOVE
3	4010667	2	T-DOCK LEG BRACE MTG BRKT
4	4010839	2	T-DOCK DIAGONAL BRACE BRKT 2"
5	4010848	4	T-DOCK LEG DIAGONAL BRACE 26-3/4"
	4010213		T-DOCK LEG HARDWARE 29" & 44" BOB including:
A	5896253	4	HHCS 3/8-16 X 2-1/2 SS
B	5896259	4	HHCS 3/8-16 X 4 SS
C	5840104	18	NUT HEX 3/8-16 ALUM
D	5896406	18	WASHER FLAT SAE 3/8" SS
E	6440103	2	PLASTIC CAP 1" LOCKING
F	6440111	2	PLUG RIBBED 2-1/4X0.90L GRAY
G	5896250	8	HHCS 3/8-16 X 1-3/4 SS
H	5896263	2	HHCS 3/8-16 X 5 SS
I	4010935	2	T-DOCK WHEEL THRUST WASHER
J	5806427	2	COTTER PIN 5/16 X 3 SS or (2/11 & earlier)
	5840010	2	PIN, CLEVIS 5/16 X 2 SS DETENT (3/11)

3.6 4010145 T-DOCK LEG BUNDLE (PR) 56" (X-DEEP)

REF #	PART #	QTY	DESCRIPTION
1	4010510	2	T-DOCK WHEEL 56" LEG ASSY
	4010207	1	T-DOCK LEG HARDWARE 56"& 80" (PR) COP including:
2	4010635	2	T-DOCK CONNECT BRKT 2" 3GROOVE
3	4010667	4	T-DOCK LEG BRACE MTG BRKT
4	4010839	2	T-DOCK DIAGONAL BRACE BRKT 2"
5	4010848	2	T-DOCK LEG DIAGONAL BRACE 26-3/4"
6	4010851	2	T-DOCK LEG DIAGONAL BRACE 48-1/16"
7	4010854	2	T-DOCK LEG DIAGONAL BRACE 54-3/4"
	4010216		T-DOCK LEG HARDWARE 56"& 80" BOB including:
A	5896253	4	HHCS 3/8-16 X 2-1/2 SS
B	5896259	4	HHCS 3/8-16 X 4 SS
C	5840104	20	NUT HEX 3/8-16 ALUM
D	5896406	20	WASHER FLAT SAE 3/8" SS

E	6440103	2	PLASTIC CAP 1" LOCKING
F	6440111	2	PLUG RIBBED 2-1/4X0.90L GRAY
G	5896250	8	HHCS 3/8-16 X 1-3/4 SS
H	5896263	4	HHCS 3/8-16 X 5 SS
I	4010935	2	T-DOCK WHEEL THRUST WASHER
J	5806427	2	COTTER PIN 5/16 X 3 SS or (2/11 & earlier)
	5840010	2	PIN, CLEVIS 5/16 X 2 SS DETENT (3/11)
K	5896267	2	HHCS 3/8-16 X 6 SS

3.7 4010150 T-DOCK LEG BUNDLE (PR) 80" (2X-DEEP)

REF #	PART #	QTY	DESCRIPTION
1	4010513	2	T-DOCK WHEEL 80" LEG ASSY
	4010207	1	T-DOCK LEG HARDWARE 56"& 80" (PR) COP including:
2	4010635	2	T-DOCK CONNECT BRKT 2" 3GROOVE
3	4010667	4	T-DOCK LEG BRACE MTG BRKT
4	4010839	2	T-DOCK DIAGONAL BRACE BRKT 2"
5	4010848	2	T-DOCK LEG DIAGONAL BRACE 26-3/4"
6	4010851	2	T-DOCK LEG DIAGONAL BRACE 48-1/16"
7	4010854	2	T-DOCK LEG DIAGONAL BRACE 54-3/4"
	4010216		T-DOCK LEG HARDWARE 56"& 80" BOB including:
A	5896253	4	HHCS 3/8-16 X 2-1/2 SS
B	5896259	4	HHCS 3/8-16 X 4 SS
C	5840104	20	NUT HEX 3/8-16 ALUM
D	5896406	20	WASHER FLAT SAE 3/8" SS
E	6440103	2	PLASTIC CAP 1" LOCKING
F	6440111	2	PLUG RIBBED 2-1/4X0.90L GRAY
G	5896250	8	HHCS 3/8-16 X 1-3/4 SS
H	5896263	2	HHCS 3/8-16 X 5 SS
I	4010935	2	T-DOCK WHEEL THRUST WASHER
J	5806427	2	COTTER PIN 5/16 X 3 SS or (2/11 & earlier)
	5840010	2	PIN, CLEVIS 5/16 X 2 SS DETENT (3/11)
K	5896267	2	HHCS 3/8-16 X 6 SS

3.8 4010160 T-DOCK SHORELINE LEG BUNDLE 48" (PR)

REF #	PART #	QTY	DESCRIPTION
11	4010682	2	T-DOCK SHORE LEG 48"
	4010222	1	T-DOCK SHORELINE HARDWARE COP including:
10	4002208	2	DOCK FOOT PLATE
12	4010579	2	T-DOCK SHORE LEG SUPPORT WELDMENT
13	6436422	2	2" SQUARE PLASTIC CAP
2	4010635	2	T-DOCK CONNECT BRKT 2" 3GROOVE
	4010225		T-DOCK LEG SHORELINE (PR)BOB includes:
U	5840105	4	SQUARE NUT 1/2-13 ALUM
V	5896282	4	HHCS 1/2-13 X 1-1/2" SS
W	5896253	8	HHCS 3/8-16 X 2-1/2" SS
X	5840104	10	HEX NUT 3/8-16 ALUM
Y	5896406	6	WASHER FLAT SAE 3/8" SS
Z	5896255	2	HHCS 3/8-16 X 3" SS

3.9 4010180 T-DOCK SHORELINE LEG BUNDLE 30" (PR)

REF #	PART #	QTY	DESCRIPTION
11	4010601	2	T-DOCK SHORE LEG 30"
	4010222	1	T-DOCK SHORELINE HARDWARE COP including:
10	4002208	2	DOCK FOOT PLATE
12	4010579	2	T-DOCK SHORE LEG SUPPORT WELDMENT
13	6436422	2	2" SQUARE PLASTIC CAP
2	4010635	2	T-DOCK CONNECT BRKT 2" 3GROOVE
	4010225	1	T-DOCK LEG SHORELINE (PR)BOB includes:
U	5840104	4	SQUARE NUT ½-13 ALUM
V	5896282	4	HHCS 1/2-13 X 1-1/2" SS
W	5896253	8	HHCS 3/8-16 X 2-1/2" SS
X	5840104	10	HEX NUT 3/8-16 ALUM
Y	5896406	6	WASHER FLAT SAE 3/8" SS
Z	5896255	2	HHCS 3/8-16 X 3" SS

3.10 4010185 T-DOCK SHORELINE LEG BUNDLE 72" (PR)

REF #	PART #	QTY	DESCRIPTION
11	4010604	2	T-DOCK SHORE LEG 72"
	4010222	1	T-DOCK SHORELINE HARDWARE COP including:
10	4002208	2	DOCK 11FOOT PLATE
12	4010579	2	T-DOCK SHORE LEG SUPPORT WELDMENT
13	6436422	2	2" SQUARE PLASTIC CAP
2	4010635	2	T-DOCK CONNECT BRKT 2" 3GROOVE
	4010225	1	T-DOCK LEG SHORELINE (PR)BOB includes:
U	5840105	4	SQUARE NUT ½-13 ALUM
V	5896282	4	HHCS 1/2-13 X 1-1/2" SS
W	5896253	8	HHCS 3/8-16 X 2-1/2" SS
X	5840104	10	HEX NUT 3/8-16 ALUM
Y	5896406	6	WASHER FLAT SAE 3/8" SS
Z	5896255	2	HHCS 3/8-16 X 3" SS

3.11 4010187 T-DOCK EXTERNAL LEG BUNDLE 96" (PR) WITHOUT BRACING

REF #	PART #	QTY	DESCRIPTION
16	4010672	2	T-DOCK EXTERNAL LEG 96"
	4010222	1	T-DOCK EXTERNAL LEG – TALL (PR) COP including:
10	4002208	2	DOCK FOOT PLATE
12	4010579	2	T-DOCK SHORE LEG SUPPORT WELDMENT
14	6436422	2	PLUG RIBBED SQ 2"X5/8"L BLACK
2	4010635	2	T-DOCK CONNECT BRKT 2" 3GROOVE
	4010225	1	T-DOCK LEG SHORELINE (PR)BOB includes:
U	5840105	4	SQUARE NUT ½-13 ALUM
V	5896282	4	HHCS 1/2-13 X 1-1/2" SS
W	5896253	8	HHCS 3/8-16 X 2-1/2" SS
X	5840104	10	HEX NUT 3/8-16 ALUM
Y	5896406	6	WASHER FLAT SAE 3/8" SS
Z	5896255	2	HHCS 3/8-16 X 3" SS

3.12 4010189 T-DOCK EXTERNAL LEG BUNDLE 120" (PR) WITHOUT BRACING

REF #	PART #	QTY	DESCRIPTION
16	4010606	2	T-DOCK EXTERNAL LEG 120"
	4010222	1	T-DOCK EXTERNAL LEG – TALL (PR) COP including:
10	4002208	2	DOCK 11FOOT PLATE
12	4010579	2	T-DOCK SHORE LEG SUPPORT WELDMENT
14	6436422	2	PLUG RIBBED SQ 2"X5/8"L BLACK
2	4010635	2	T-DOCK CONNECT BRKT 2" 3 GROOVE
	4010225	1	T-DOCK LEG SHORELINE (PR) BOB including:
U	5840105	4	SQUARE NUT ½-13 ALUM
V	5896282	4	HHCS 1/2-13 X 1-1/2" SS
W	5896253	8	HHCS 3/8-16 X 2-1/2" SS
X	5840103	10	HEX NUT NYLOCK 3/8-16 ALUM
Y	5896406	6	WASHER FLAT SAE 3/8" SS
Z	5896255	2	HHCS 3/8-16 X 3" SS

3.13 4010188 T-DOCK 96" & 120" EXTERNAL LEG BRACE BUNDLE

REF #	PART #	QTY	DESCRIPTION
7	4010854	4	T-DOCK LEG DIAGONAL BRACE 54-3/4"
	4010240	1	T-DOCK EXTERNAL LEG – TALL (PR) COP including:
15	4010582	2	EXTERNAL LEG DIAGONAL MOUNTING BRACKET
4	4010839	4	T-DOCK 4' DIAG BRACE BRKT 2"
	4010243	1	T-DOCK EXTERNAL LEG - TALL (PR) BOB including:
G	5896250	12	HHCS 3/8-16 X 1-3/4 SS
U	5840105	4	SQUARE NUT ½-13 ALUM
V	5896282	4	HHCS 1/2-13 X 1-1/2" SS
X	5840104	12	HEX NUT 3/8-16 ALUM
Y	5896406	12	WASHER FLAT SAE 3/8" SS

3.14 4010264 T-DOCK LEG SHORELINE END MOUNT (PR) COP

REF #	PART #	QTY	DESCRIPTION
10	4002208	2	DOCK FOOT PLATE
17	4010585	2	T-DOCK LEG SHORELINE END SUPT WLDMT
13	6436422	2	2" SQUARE PLASTIC CAP
2	4010635	2	T-DOCK CONNECT BRKT 2" 3GROOVE
	4010225	1	T-DOCK LEG SHORELINE (PR)BOB includes:
U	5840105	4	SQUARE NUT ½-13 ALUM
V	5896282	4	HHCS 1/2-13 X 1-1/2" SS
W	5896253	8	HHCS 3/8-16 X 2-1/2" SS
X	5840104	10	HEX NUT 3/8-16 ALUM
Y	5896406	6	WASHER FLAT SAE 3/8" SS
Z	5896255	2	HHCS 3/8-16 X 3" SS

LIMITED PRODUCT WARRANTY

Reimann & Georger Corporation Marine Products

RGC Marine products, hereafter referred to as the “Manufacturer”, extends this limited warranty to the original purchaser of this product. The original purchaser, hereinafter referred to as the “Buyer”, is defined as the first legal owner of this product other than an authorized distributor or dealer who has bought the product from the Manufacturer for resale to the public. **The Buyer must complete and return the Warranty Registration section of the provided Warranty Card to make this limited warranty effective.**

CONSUMER PRODUCT PROVISIONS

I. ARTICLE I—CONSUMER PRODUCT PROVISIONS: THE FOLLOWING PROVISIONS SHALL BE APPLICABLE IF THIS PRODUCT IS BEING PURCHASED FOR PERSONAL, FAMILY OR HOUSEHOLD PURPOSES.

THE CONSUMER PRODUCT PROVISIONS CONTAINED IN THIS ARTICLE I SHALL APPLY UNLESS THIS PRODUCT IS BEING PURCHASED SOLELY FOR COMMERCIAL OR INDUSTRIAL USE, IN WHICH EVENT THE PROVISIONS CONTAINED IN ARTICLE II BELOW SHALL APPLY AND THE PROVISIONS CONTAINED IN THIS ARTICLE I SHALL BE INAPPLICABLE.

A. 1-YEAR LIMITED WARRANTY

The Manufacturer warrants to the Buyer that the decking shall be free of defects in material and workmanship for a period of one (1) year from date of original purchase. This limited warranty covers the cost of all parts and labor needed to repair any item that is found to be defective in material and workmanship. This warranty does not cover wear and tear, discoloration (fading), scratches, or dents associated with powder coated decking; nor does this warranty cover splitting, checking, warping, or discoloration associated with wood decking.

The Manufacturer warrants to the Buyer that the screw legs shall be free of defects in material and workmanship for a period of one (1) year from date of original purchase. This limited warranty covers the cost of all parts and labor needed to repair any item that is found to be defective in material and workmanship.

B. 15-YEAR LIMITED WARRANTY ON DOCK ALUMINUM FRAME EXTRUSION

The Manufacturer warrants to the Buyer that the frame and extrusions shall be free of defects in material and workmanship for a period of fifteen (15) years from date of original purchase. This limited warranty covers the cost of all parts and labor needed to repair any item that is found to be defective in material and workmanship.

C. MANUFACTURER’S OBLIGATIONS

The Manufacturer’s sole obligation under either of these limited warranties is the replacement or repair, at the Manufacturer’s discretion, of parts found to be defective.

D. NO SPECIAL, INCIDENTAL OR CONSEQUENTIAL DAMAGES

IN NO EVENT SHALL THE MANUFACTURER BE LIABLE TO THE BUYER OR ANY PERSON FOR ANY INDIRECT, SPECIAL, INCIDENTAL, OR CONSEQUENTIAL LOSSES OR DAMAGES CONNECTED WITH THE USE OF THE PRODUCT UNDER WARRANTY. SUCH DAMAGES FOR WHICH THE MANUFACTURER SHALL NOT BE RESPONSIBLE INCLUDE, BUT ARE NOT LIMITED TO, LOST TIME AND CONVENIENCE, LOSS OF USE OF THE PRODUCT, THE COST OF A PRODUCT RENTAL, COSTS OF GASOLINE, TELEPHONE, TRAVEL, OR LODGING, THE LOSS OF PERSONAL OR COMMERCIAL PROPERTY, AND THE LOSS OF REVENUE.

Some States do not allow the exclusion or limitation of incidental or consequential damages, so the above limitation or exclusion may not apply to you.

E. NO LIABILITY IN EXCESS OF PURCHASE PRICE

IN NO EVENT SHALL THE MANUFACTURER'S OBLIGATIONS UNDER THIS LIMITED WARRANTY EXCEED THE PURCHASE PRICE OF THE PRODUCT.

F. NO EXTENSION OF STATUTE OF LIMITATIONS

ANY REPAIRS PERFORMED UNDER EITHER OF THESE WARRANTIES SHALL NOT IN ANY WAY EXTEND THE ONE-YEAR AND FIFTEEN-YEAR STATUTES OF LIMITATIONS CONTAINED IN THIS LIMITED WARRANTY.

G. PROCEDURE FOR WARRANTY PERFORMANCE

If the product fails to perform to the Manufacturer's specifications, the Buyer must contact the dealer from whom the product was purchased. The Buyer must provide the dealer with the applicable model and serial numbers, the date of purchase, and the nature of the problem.

H. PREAPPROVAL OF LABOR COSTS

All labor costs related to a dealer's performance of the warranty obligations under this limited warranty must be pre-approved by Reimann & Georger Corp. Marine Products.

I. NO OTHER EXPRESS WARRANTIES

THE MANUFACTURER IS NOT SUBJECT TO ANY EXPRESS WARRANTIES OTHER THAN THOSE SET FORTH ABOVE.

J. LIMIT ON DURATION OF IMPLIED WARRANTIES

THE DURATION OF ANY IMPLIED WARRANTIES UNDER APPLICABLE STATE LAW RELATING TO THE PURCHASE OF THIS PRODUCT SHALL BE LIMITED TO A PERIOD OF ONE (1) YEAR FROM THE DATE OF PURCHASE.

Some States do not allow limitations on how long an implied warranty lasts, so the above limitations may not apply to you.

K. QUESTIONS REGARDING LIMITED WARRANTY

Any questions regarding this limited warranty or the procedure which the consumer should follow in order to obtain performance of any warranty obligation may be addressed to either the dealer from whom this product is purchased or to Reimann & Georger Corp. Marine Products, 1849 Harlem Road, Buffalo, NY 14212.

L. EXCLUSIONS FROM LIMITED WARRANTY. THIS LIMITED WARRANTY DOES NOT COVER ANY OF THE FOLLOWING:

1. Equipment which has been abused, damaged, used beyond rated capacity, or which is damaged or has defects caused by repairs or service completed by persons other than authorized service personnel.
2. Costs of repairing damage caused by environmental factors which include, but are not limited to, airborne fallout, chemicals, tree sap, salt, ocean spray, and water hazards.
3. Damage caused by acts of God which include, but are not limited to, hailstorms, windstorms, tornadoes, sandstorms, lightning, floods, and earthquakes.
4. Damage under conditions caused by fire or accident, by abuse or negligence, by improper installation, by misuse, by incorrect operation, by "normal wear and tear", by improper adjustment or alteration, by alterations not done by the Manufacturer, or by failure of product parts from such alterations.

5. Costs of repairing damage caused by poor or improper maintenance, costs of normally scheduled maintenance, or the cost of replacing any parts unless done as the result of a repair covered by your one-year limited warranty.
6. Costs of modifying the product in any way once delivered to the Buyer, even if such modifications were added as a production change on other products made after the Buyer's product was built.

M. RIGHT TO MODIFY PRODUCT

The Manufacturer has the right to modify this product at any time without incurring any obligation to make the same or similar modifications on products previously purchased.

N. NO AUTHORITY TO ALTER WARRANTY

No agent, representative, distributor or dealer has any authority to alter the terms of this warranty in any way.

O. SPECIFIC LEGAL RIGHTS

This warranty gives you specific legal rights and you may also have other rights which vary from State to State.

COMMERCIAL PRODUCT PROVISIONS

II. ARTICLE II—COMMERCIAL PRODUCT PROVISIONS: THE FOLLOWING PROVISIONS SHALL BE APPLICABLE ONLY IF THIS PRODUCT IS BEING PURCHASED SOLELY FOR COMMERCIAL OR INDUSTRIAL USE. IF THIS PRODUCT IS BEING PURCHASED FOR PERSONAL, FAMILY OR HOUSEHOLD PURPOSES, THE PROVISIONS CONTAINED IN THIS ARTICLE II SHALL NOT BE APPLICABLE AND THE PROVISIONS CONTAINED IN ARTICLE I ABOVE SHALL APPLY.

A. 1-YEAR LIMITED WARRANTY

The Manufacturer warrants to the Buyer that the decking shall be free of defects in material and workmanship for a period of one (1) year from date of original purchase. This limited warranty covers the cost of all parts and labor needed to repair any item that is found to be defective in material and workmanship. This warranty does not cover wear and tear, discoloration (fading), scratches, or dents associated with powder coated decking; nor does this warranty cover splitting, checking, warping, or discoloration associated with wood decking.

B. 5-YEAR LIMITED WARRANTY ON DOCK ALUMINUM FRAME EXTRUSION

The Manufacturer warrants to the Buyer that the frame and extrusions shall be free of defects in material and workmanship for a period of five (5) years from date of original purchase. This limited warranty covers the cost of all parts and labor needed to repair any item that is found to be defective in material and workmanship.

C. MANUFACTURER'S OBLIGATIONS

The Manufacturer's sole obligation under either of these limited warranties is the replacement or repair, at the Manufacturer's discretion, of parts found to be defective.

D. NO SPECIAL, INCIDENTAL, OR CONSEQUENTIAL DAMAGES

IN NO EVENT SHALL THE MANUFACTURER BE LIABLE TO THE BUYER OR ANY PERSON FOR ANY INDIRECT, SPECIAL, INCIDENTAL, OR CONSEQUENTIAL LOSSES OR DAMAGES CONNECTED WITH THE USE OF THE PRODUCT UNDER WARRANTY. SUCH DAMAGES FOR WHICH THE MANUFACTURER SHALL NOT BE RESPONSIBLE INCLUDE, BUT ARE NOT LIMITED TO, LOST TIME AND CONVENIENCE, LOSS OF USE OF THE PRODUCT, THE COST OF A PRODUCT RENTAL, COSTS OF GASOLINE, TELEPHONE, TRAVEL, OR LODGING, THE LOSS OF PERSONAL OR COMMERCIAL PROPERTY, AND THE LOSS OF REVENUE.

E. NO LIABILITY IN EXCESS OF PURCHASE PRICE

IN NO EVENT SHALL THE MANUFACTURER'S OBLIGATIONS UNDER THIS LIMITED WARRANTY EXCEED THE PURCHASE PRICE OF THE PRODUCT.

F. NO EXTENSION OF STATUTE OF LIMITATIONS

ANY REPAIRS PERFORMED UNDER EITHER OF THESE WARRANTIES SHALL NOT IN ANY WAY EXTEND THE RESPECTIVE STATUTES OF LIMITATIONS CONTAINED IN THIS LIMITED WARRANTY.

G. WAIVER OF OTHER WARRANTIES

THESE EXPRESS WARRANTIES ARE IN LIEU OF AND EXCLUDE ANY AND ALL OTHER WARRANTIES, EXPRESS OR IMPLIED, INCLUDING, BUT NOT LIMITED TO, THE IMPLIED WARRANTIES OR MERCHANTABILITY AND FITNESS FOR A PARTICULAR PURPOSE.

H. PROCEDURE FOR WARRANTY PERFORMANCE

If the product fails to perform to the Manufacturer's specifications, the Buyer must contact the dealer from whom the product was purchased. The Buyer must provide the dealer with the applicable model and serial numbers, the date of purchase, and the nature of the problem.

I. PREAPPROVAL OF LABOR COSTS

All labor costs related to a dealer's performance of the warranty obligations under this limited warranty must be pre-approved by Reimann & Georger Corp. Marine Products.

J. EXCLUSIONS FROM WARRANTY. THIS LIMITED WARRANTY DOES NOT COVER ANY OF THE FOLLOWING:

1. Equipment which has been abused, damaged, used beyond rated capacity, or which is damaged or has defects caused by repairs or service completed by persons other than authorized service personnel.
2. Costs of repairing damage caused by environmental factors which include, but are not limited to, airborne fallout, chemicals, tree sap, salt, ocean spray, and water hazards.
3. Damage caused by acts of God which include, but are not limited to, hailstorms, windstorms, tornadoes, sandstorms, lightning, floods, and earthquakes.
4. Damage under conditions caused by fire or accident, by abuse or negligence, by improper installation, by misuse, by incorrect operation, by "normal wear and tear", by improper adjustment or alteration, by alterations not done by the Manufacturer, or by failure of product parts from such alterations.
5. Costs of repairing damage caused by poor or improper maintenance, costs of normally scheduled maintenance, or the cost of replacing any parts unless done as the result of a repair covered by your one-year limited warranty.
6. Costs of modifying the product in any way once delivered to the Buyer, even if such modifications were added as a production change on other products made after the Buyer's product was built.

K. RIGHT TO MODIFY PRODUCT

The Manufacturer has the right to modify this product at any time without incurring any obligation to make the same or similar modifications on products previously purchased.

L. NO AUTHORITY TO ALTER WARRANTY

No agent, representative, distributor, or dealer has any authority to alter the terms of this warranty in any way.

M. SPECIFIC LEGAL RIGHTS

This warranty gives you specific legal rights, and you may also have other rights which vary from State to State.