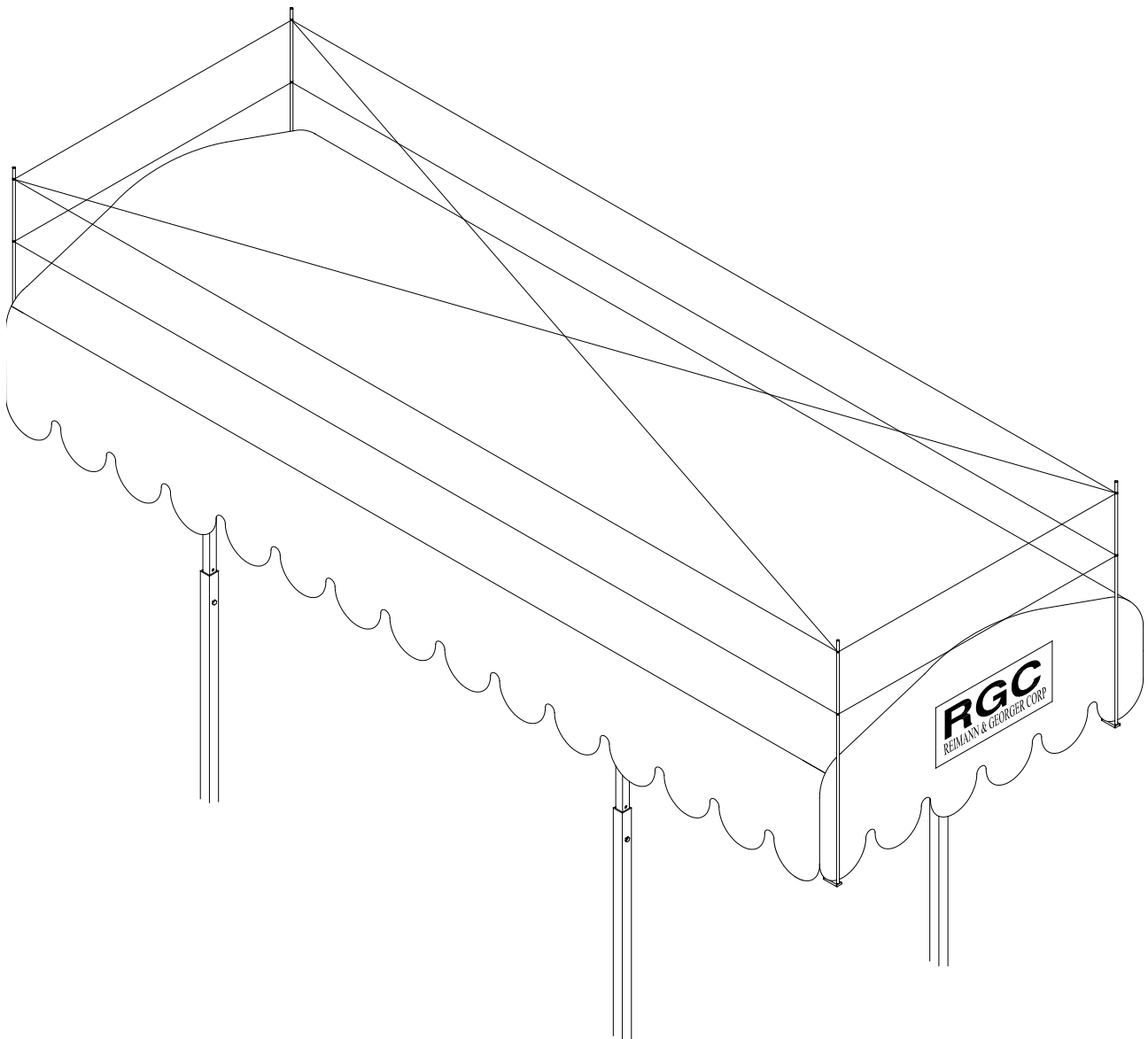




Seagull Eliminator

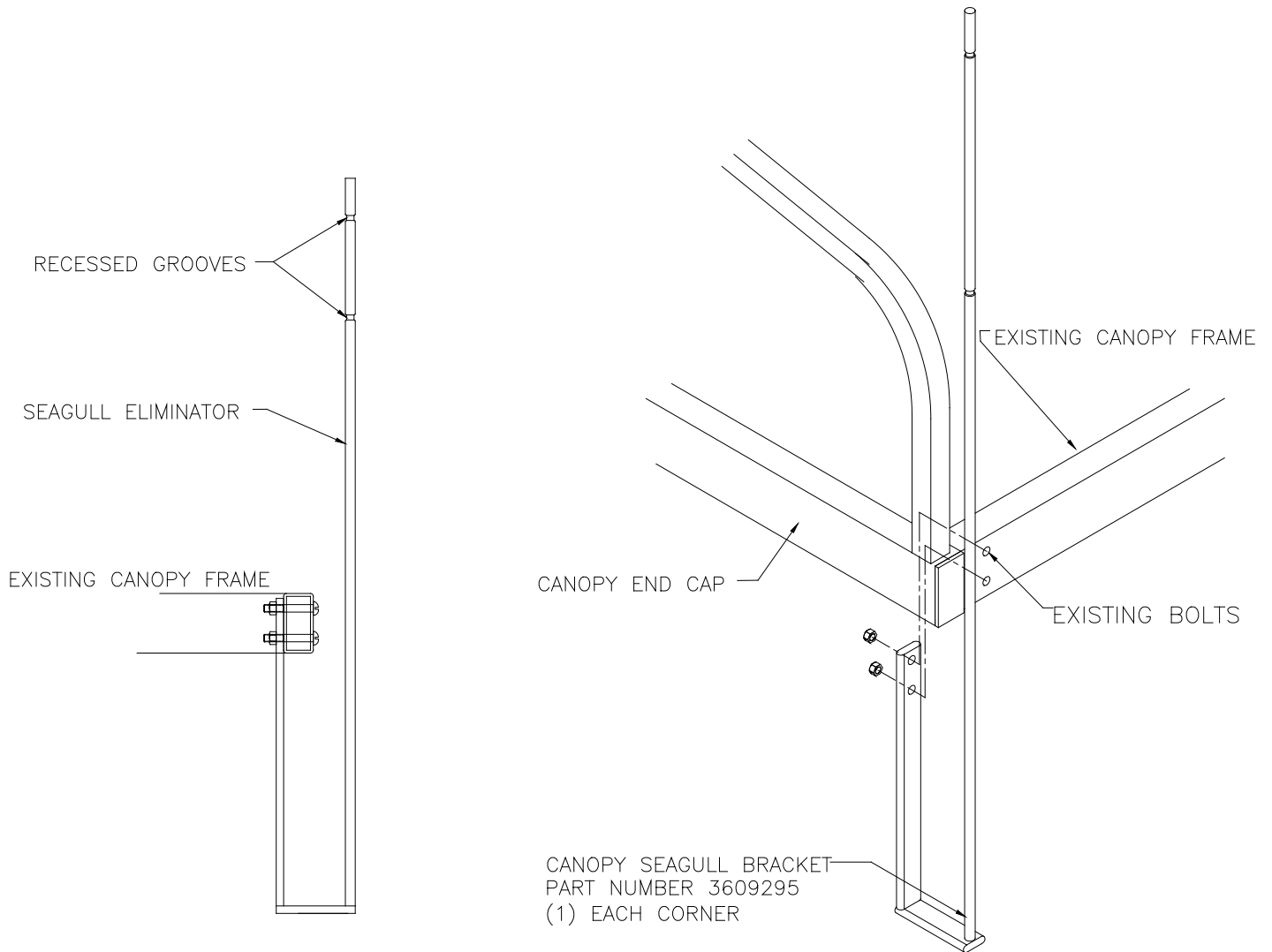
(Applies to P/N 3609485)



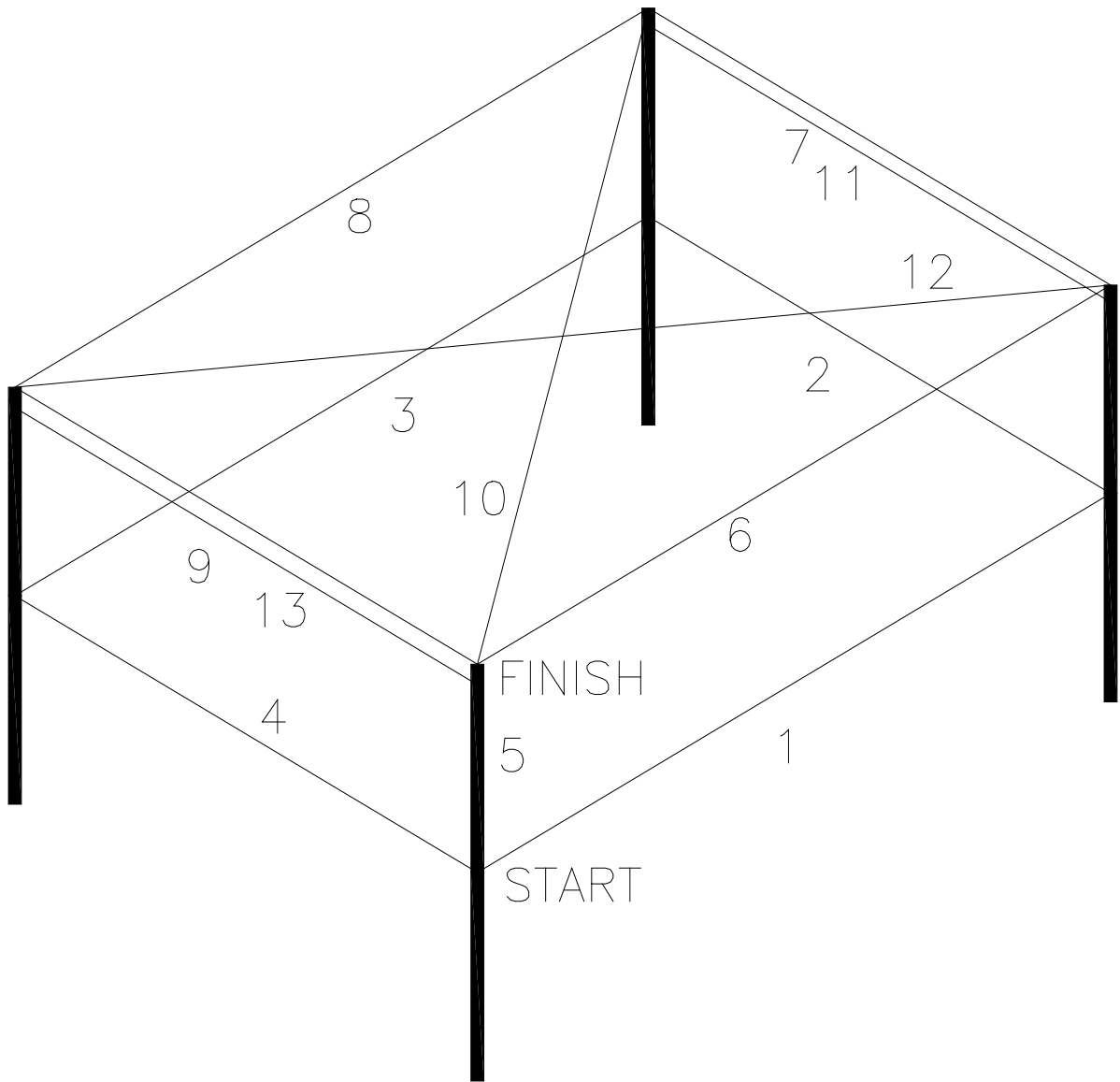
1 INSTALLATION AND SETUP

The Seagull Eliminator is designed to be used on RGC canopies to discourage seagulls from landing on and soiling your canopy.

To install the Seagull eliminator, you will need (2) 9/16 wrenches. Replace the existing bolts and nuts on each corner of the canopy frame and install the canopy seagull bracket. Slide the post onto the new bolts and fasten securely with supplied nuts. Repeat this procedure at each corner. String the fishing line of your choice around the recessed grooves on the posts. Start at one corner and follow around the canopy as shown below.



Assembly of the Seagull Eliminators



Assembly of Fishing Line

(Fishing Line Goes Over the TOP of the Canopy)