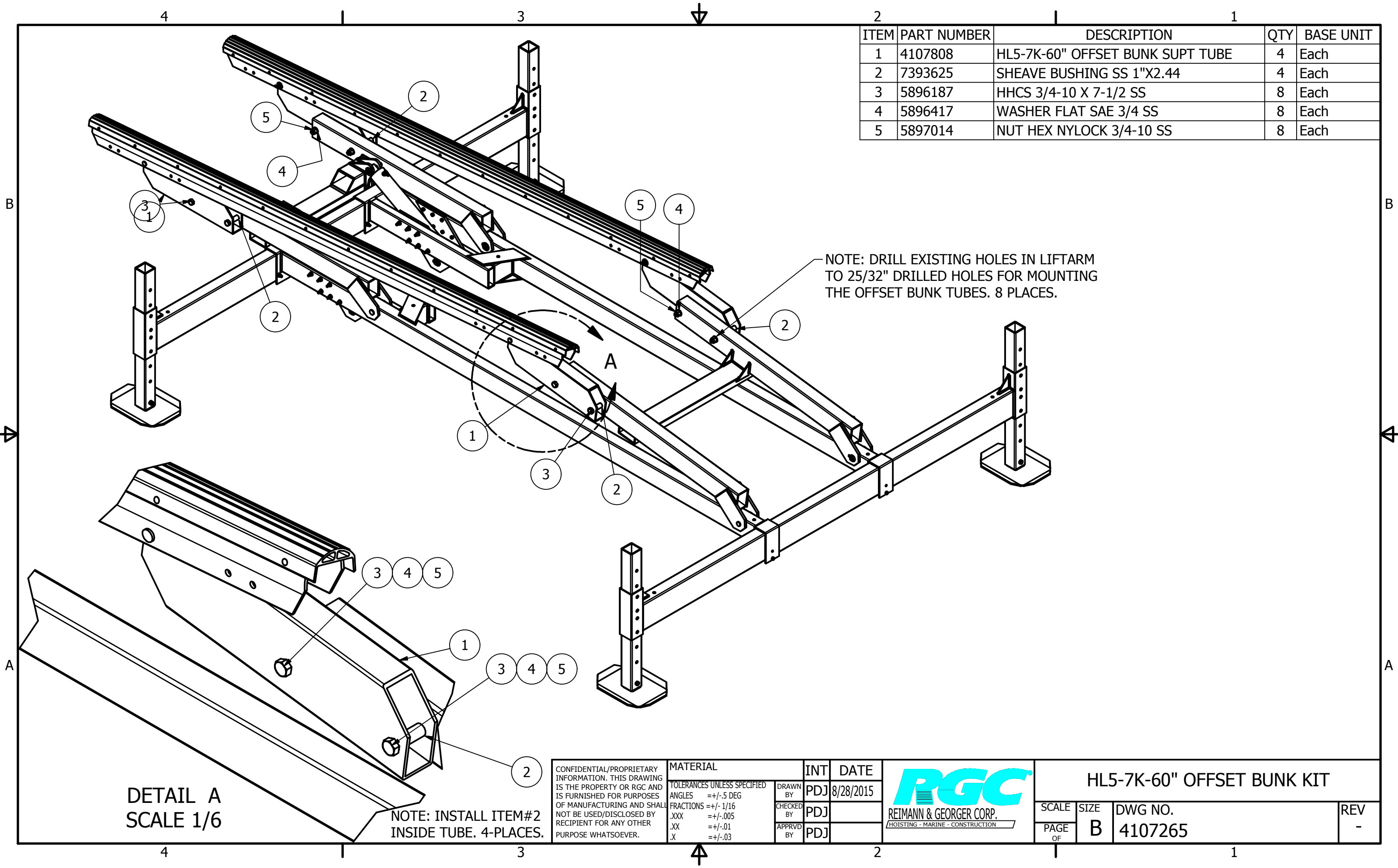


ITEM	PART NUMBER	DESCRIPTION	QTY	BASE UNIT
1	4107808	HL5-7K-60" OFFSET BUNK SUPT TUBE	4	Each
2	7393625	SHEAVE BUSHING SS 1"X2.44	4	Each
3	5896187	HHCS 3/4-10 X 7-1/2 SS	8	Each
4	5896417	WASHER FLAT SAE 3/4 SS	8	Each
5	5897014	NUT HEX NYLOCK 3/4-10 SS	8	Each



NOTE: DRILL EXISTING HOLES IN LIFTARM TO 25/32" DRILLED HOLES FOR MOUNTING THE OFFSET BUNK TUBES. 8 PLACES.

DETAIL A  
SCALE 1/6

NOTE: INSTALL ITEM#2 INSIDE TUBE. 4-PLACES.

CONFIDENTIAL/PROPRIETARY INFORMATION. THIS DRAWING IS THE PROPERTY OF RGC AND IS FURNISHED FOR PURPOSES OF MANUFACTURING AND SHALL NOT BE USED/DISCLOSED BY RECIPIENT FOR ANY OTHER PURPOSE WHATSOEVER.	MATERIAL		INT	DATE
	TOLERANCES UNLESS SPECIFIED	DRAWN BY	PDJ	8/28/2015
	ANGLES =+/- .5 DEG	CHECKED BY	PDJ	
	FRACTIONS =+/- 1/16	APPRVD BY	PDJ	
.XXX =+/- .005				
.XX =+/- .01				
.X =+/- .03				



HL5-7K-60" OFFSET BUNK KIT			
SCALE	SIZE	DWG NO.	REV
PAGE OF	B	4107265	-