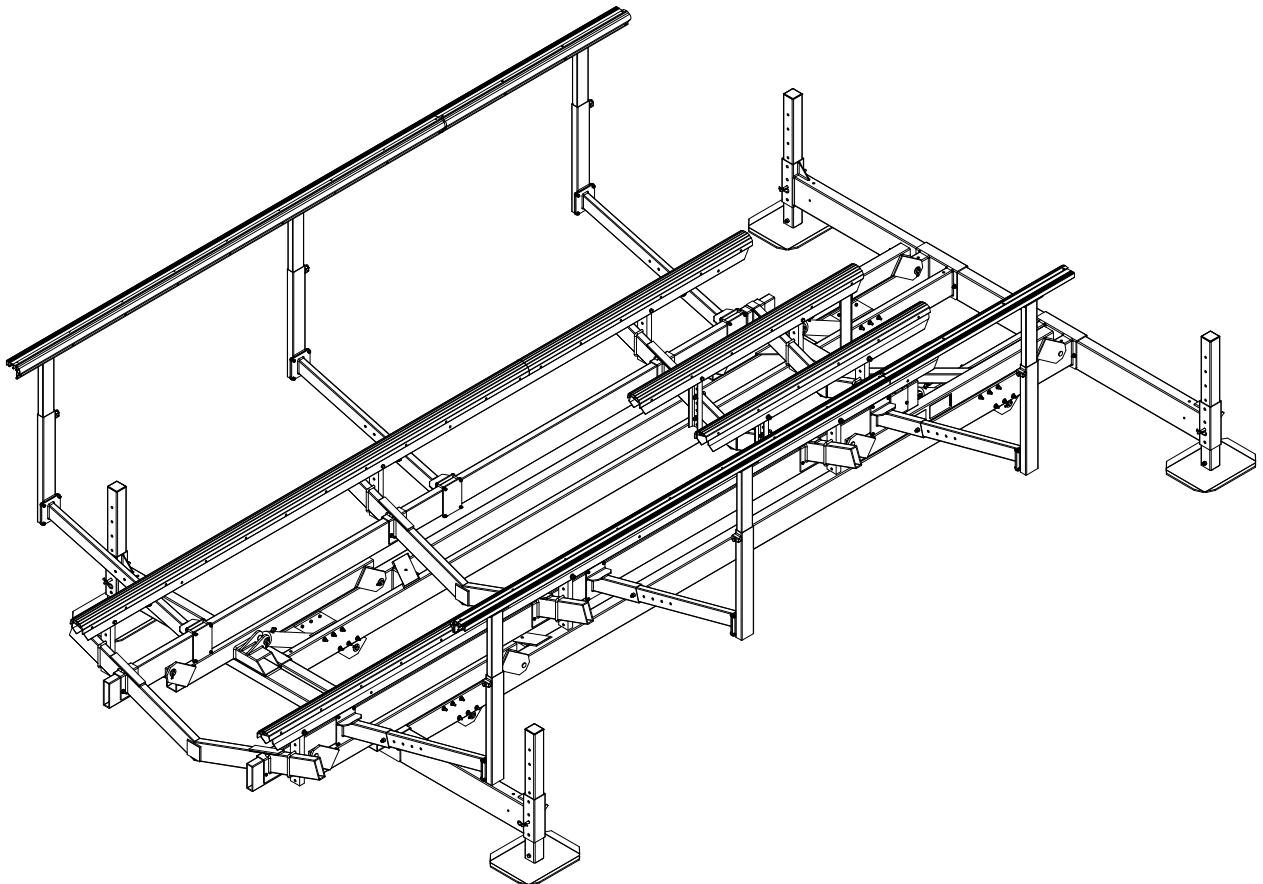




# HL12K GUIDE ON INSTRUCTIONS

(Applies to P/N 4197153)



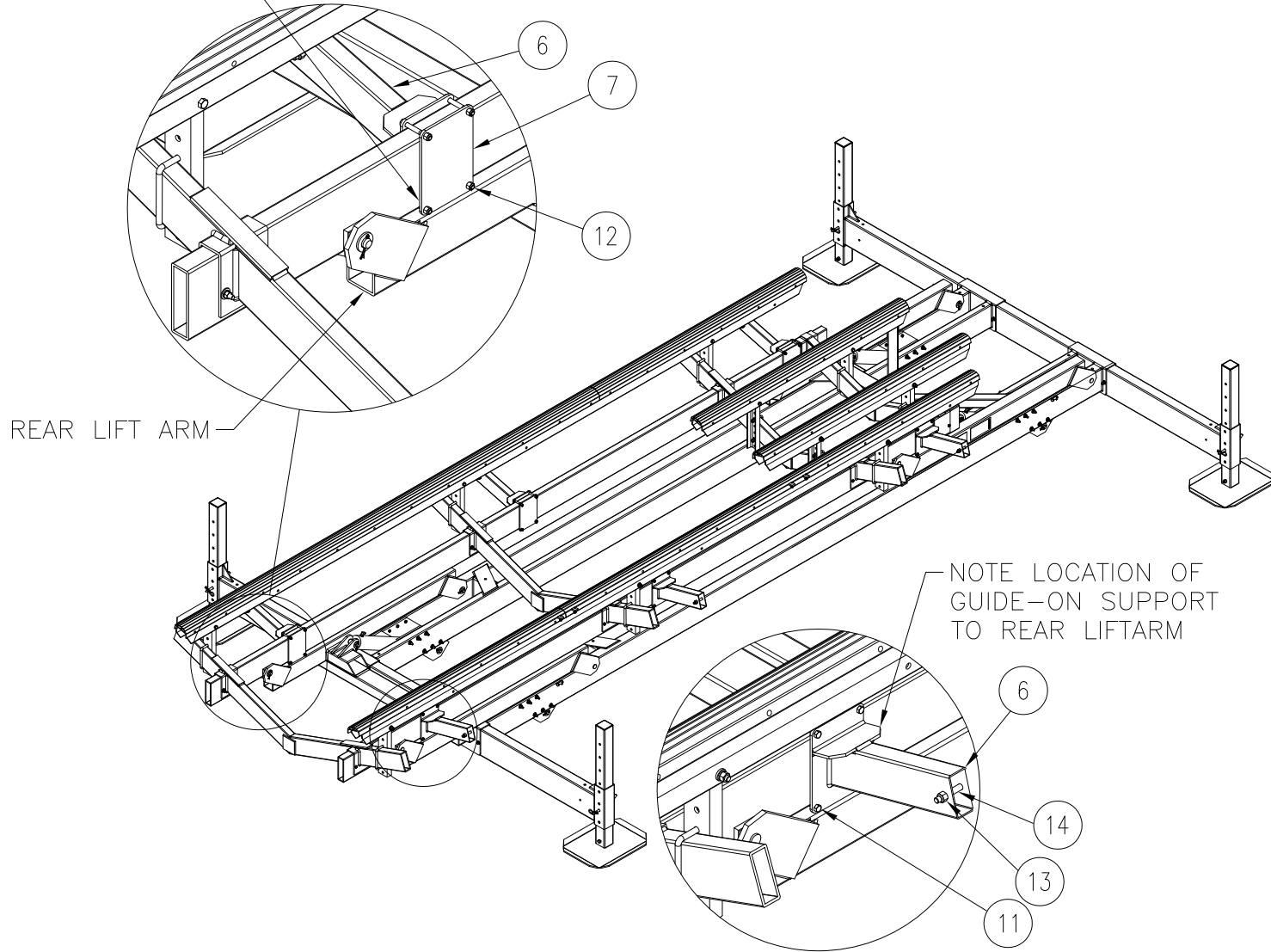
REIMANN & GEORGER CORPORATION  
MARINE PRODUCTS  
P/N 6112236

BUFFALO, NY  
10/13/21



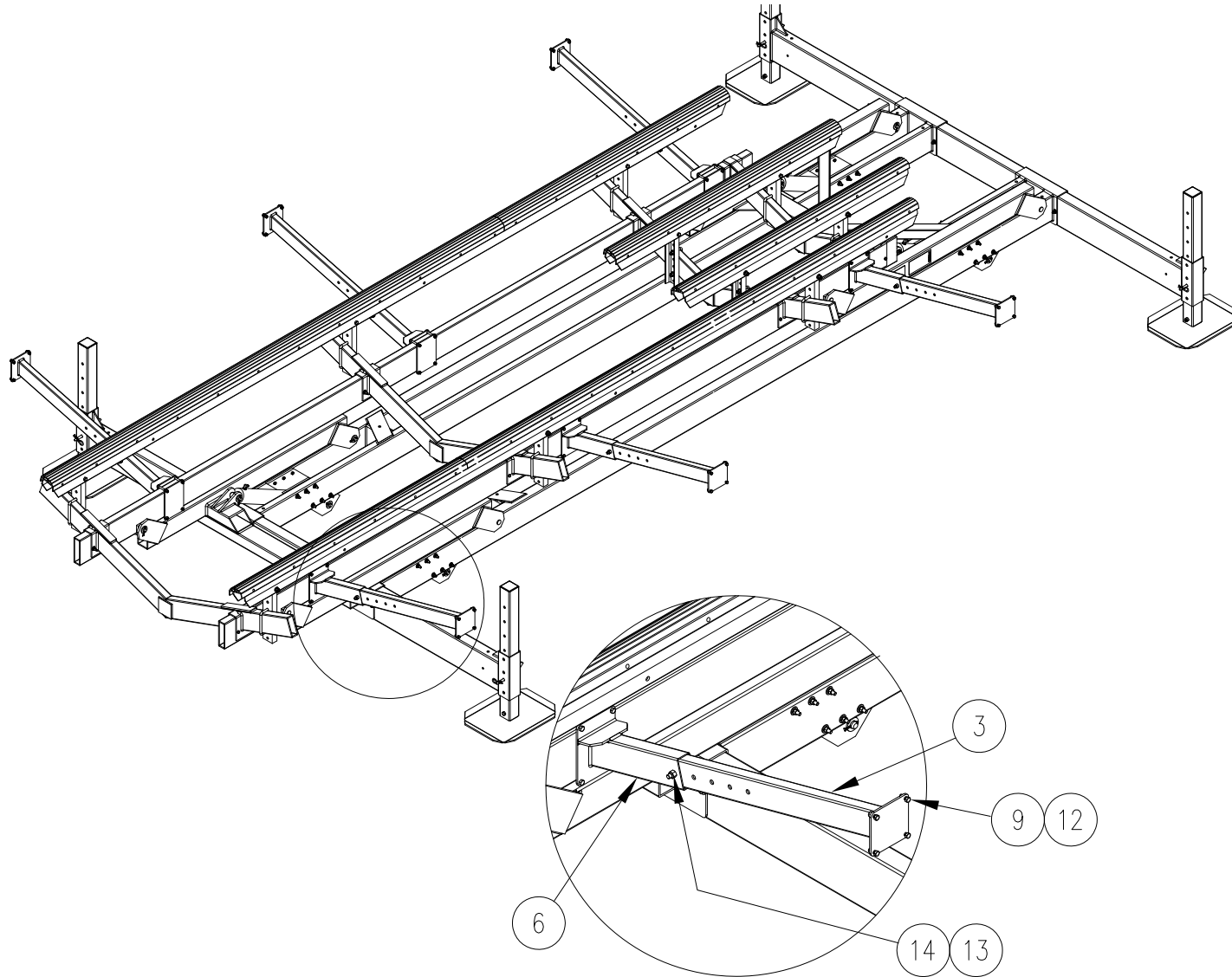
# STEP 1

NOTE LOCATION OF  
GUIDE-ON SUPPORT  
TO REAR LIFTARM



**Figure 1. Install Guide-On support weldment onto the lift frame.  
Note: Location of guide-on support weldment with front and rear liftarms.**

**STEP 2**



**Figure 2. Install Guide-on Horizontal Adjust Support Arm.**

### STEP 3

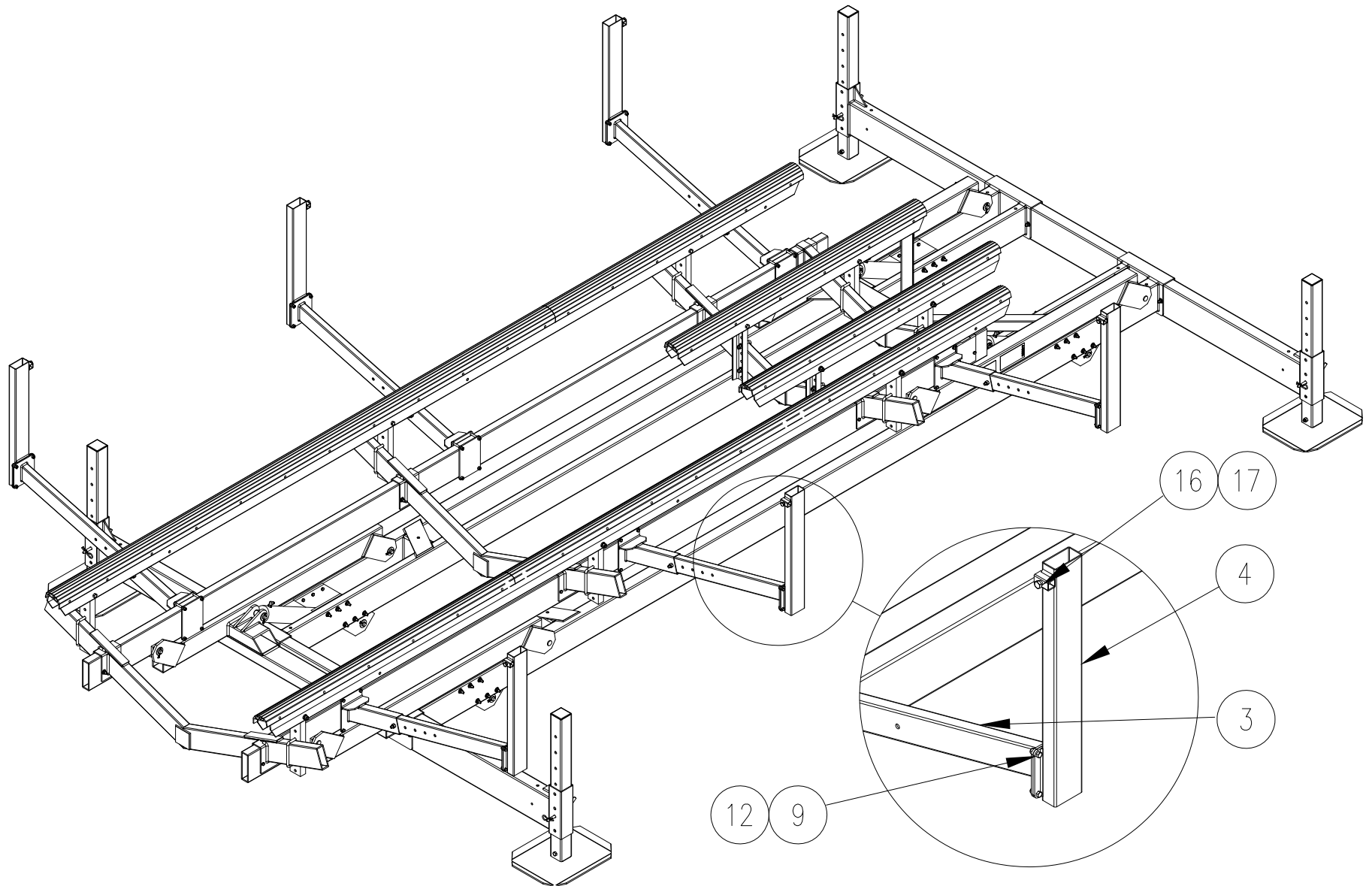


Figure 3. Install Guide-On Vertical Tube Weldment.

# STEP 4

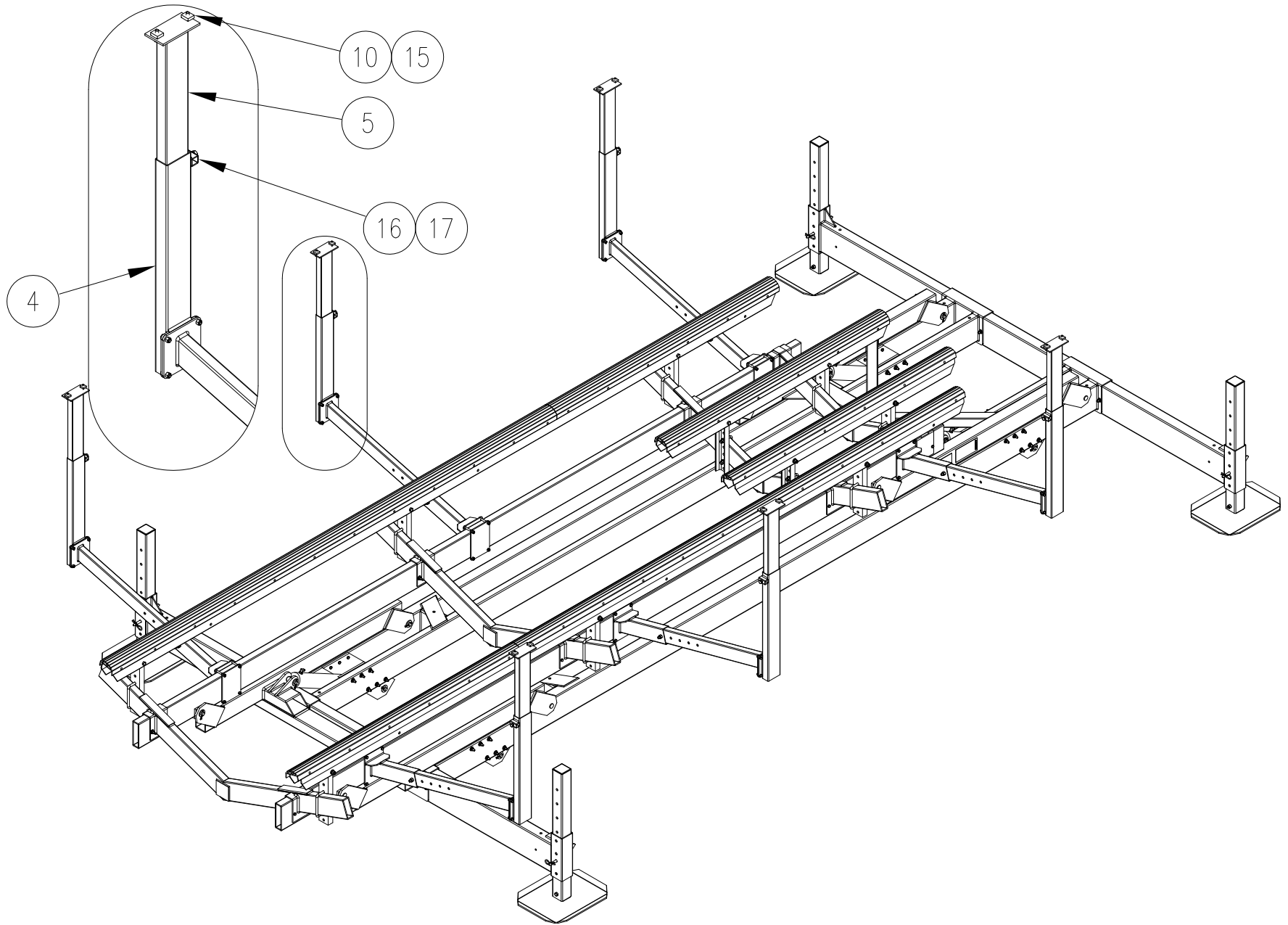
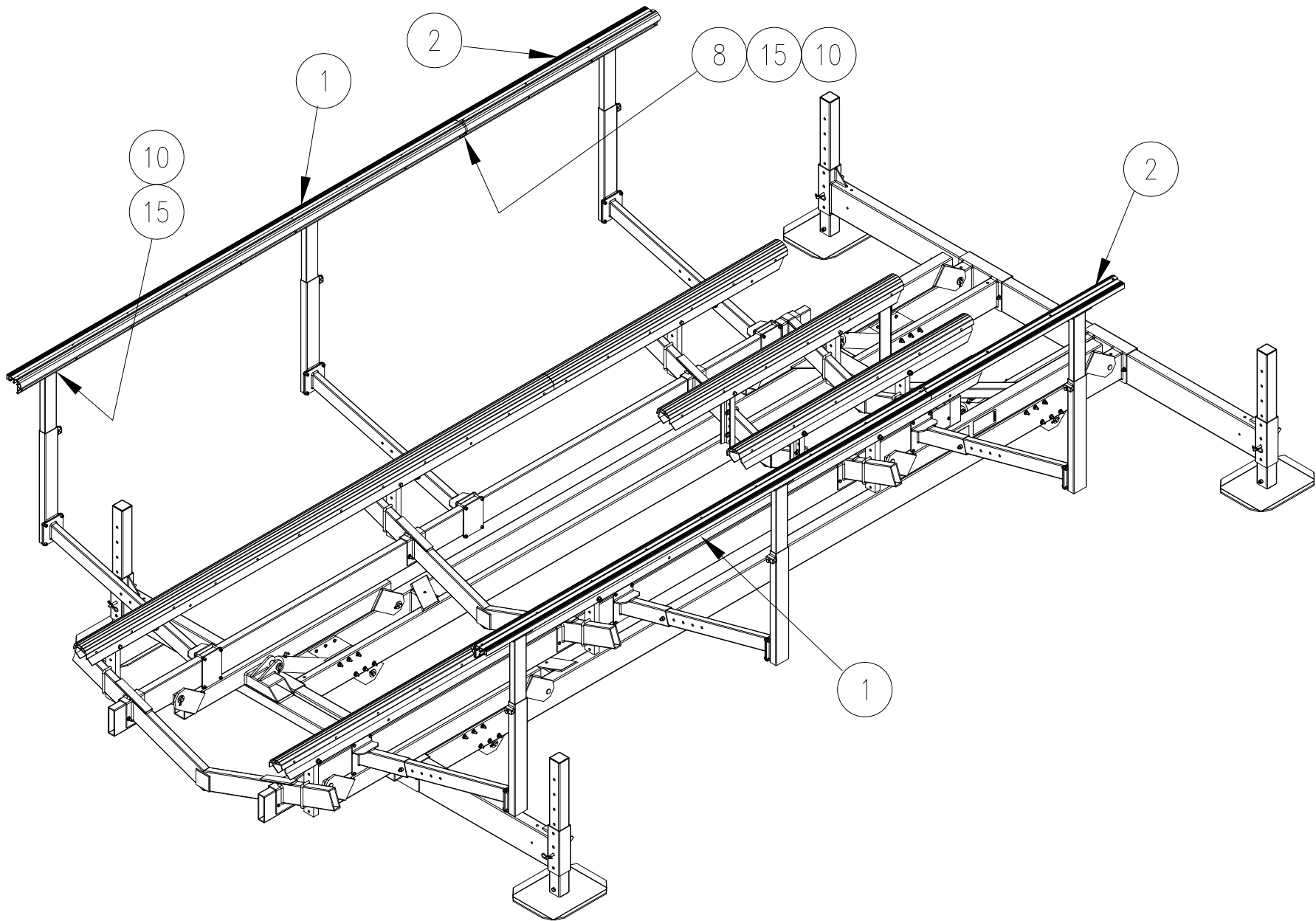


Figure 4. Install Vertical Adjust Guide-On Tube Weldment.

**STEP 5**



**Figure 5. Install Aluminum/Vinyl Guide-On.**





## HL12K GUIDE ON PARTS LIST

Each reference number or letter in the following parts lists can be matched with the reference number or letter referred to in the illustrations of the instruction manual.

### 4197238 HL12K A/V GUIDE ON 18FT BDL

REF #	PART #	QTY	DESCRIPTION
1	3697511	2	A/V GUIDE ON ASSY 138-1/2" BLACK
2	4197419	2	A/V GUIDE ON ASSY 60-3/8" BLACK

### 4112230 HL12K GUIDE ON CARTON 1 OF 2

REF #	PART #	QTY	DESCRIPTION
3	4107525	6	HL5-12K GUIDE ON ADJ SUPT ARM
5	4112551	6	HL12K GUIDE ON ADJ TUBE WLDMT

### 4112231 HL12K GUIDE ON CARTON 2 OF 2

REF #	PART #	QTY	DESCRIPTION
4	4112548	6	HL12K GUIDE ON VERT TUBE WLDMT
6	4112554	6	HL12K GUIDE ON SUPT TUBE WLDMT
7	4112625	6	HL12K GUIDE-ON MTG PLATE 6" X 8-1/2"
8	4112634	2	HL12K GUIDE-ON SPLICE PLATE 6"
	<b>4112340</b>	1	HL12K GUIDE ON Bag of Bolts consisting of;
9	5896247	24	3/8 X 1 HEX HEAD CAP SCREW
10	5896248	20	3/8 X 1-1/4 HEX HEAD CAP SCREW
11	5896255	24	3/8 X 3 HEX HEAD CAP SCREW
12	5840103	48	3/8 HEX NYLOCK NUT ALUM
13	5836107	6	1/2 HEX NYLOCK NUT ALUM
14	5896288	6	1/2 X 3 HEX HEAD CAP SCREW
15	5805898	20	3/8 SPRING NUT
16	5896282	6	1/2 X 1-1/2 HEX HEAD CAP SCREW
17	5840105	6	1/2 SQUARE NUT ALUM