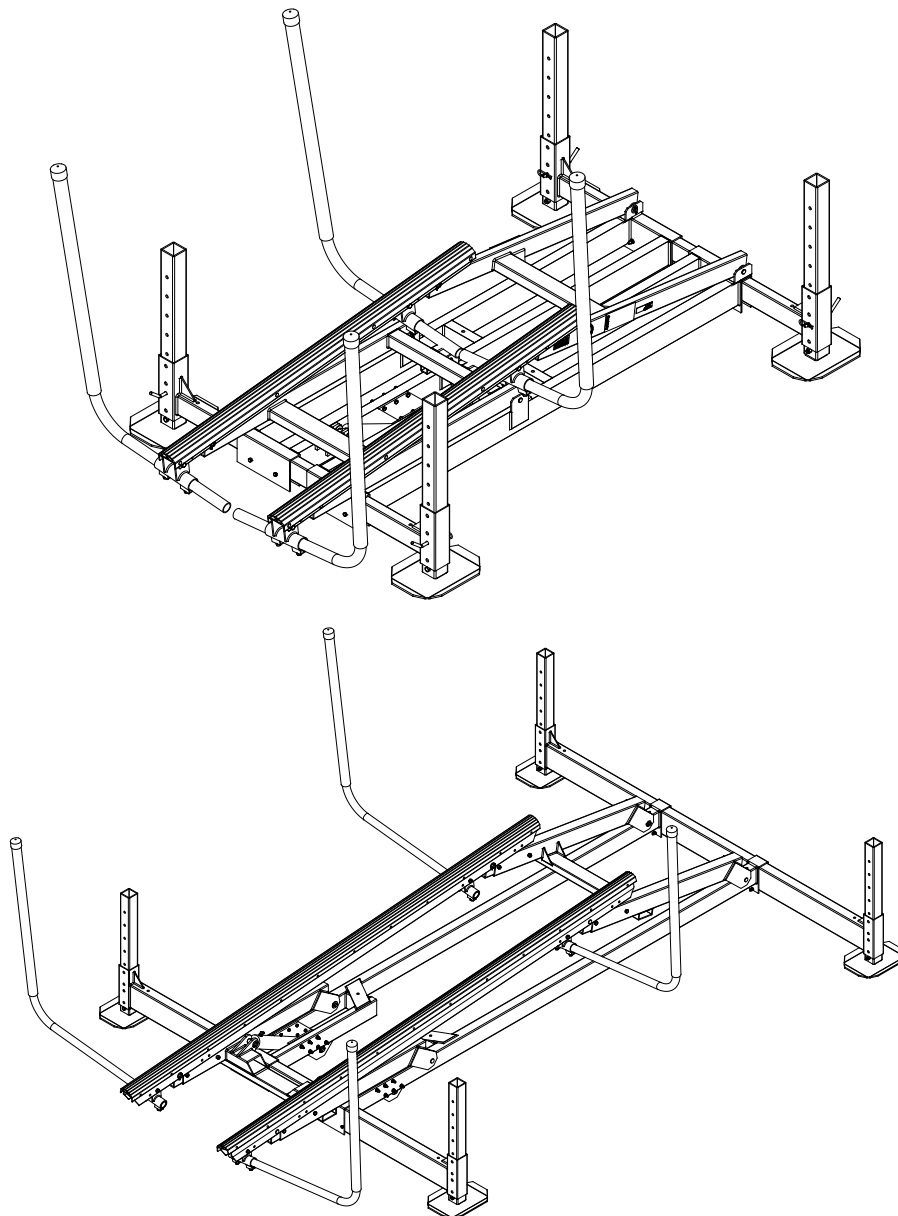




HL1.75-2K & HL4-9K GUIDE POST ROUND-FORMED INSTRUCTIONS

(Applies to P/Ns 4107050 & 4107051)



REIMANN & GEORGER CORPORATION
MARINE PRODUCTS
P/N 6114167

BUFFALO, NY
04/11/18

STEP 1

1. Assemble (detail 1) guide post support weldments to the HL bunks using bolts (detail B) & lock nut (detail D).
2. Insert 1/2" square nut (detail C) into each guide post support and install 1/2" hex bolt (detail A).

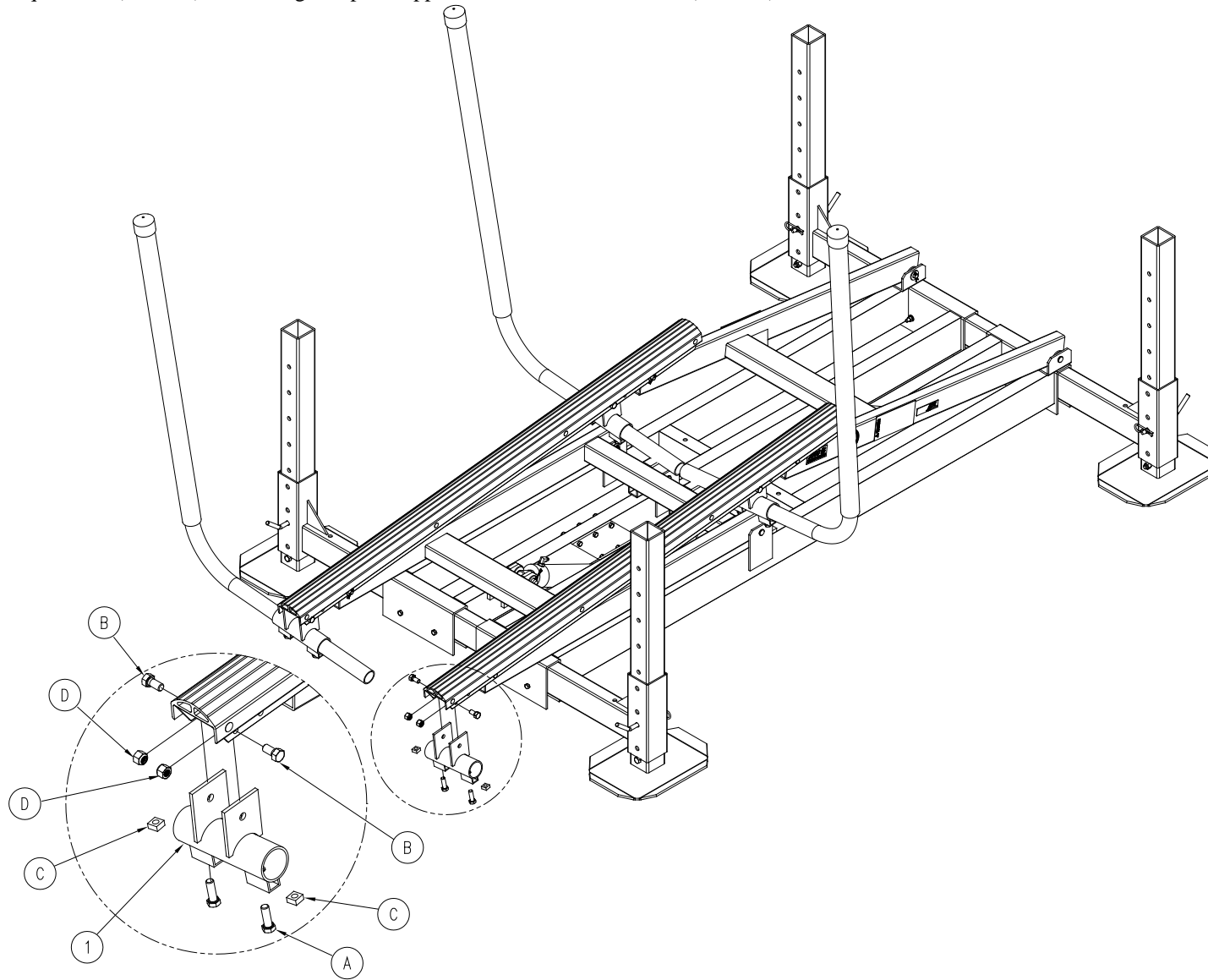


Figure 1A HL1.75-2K Guide Post Round-Formed

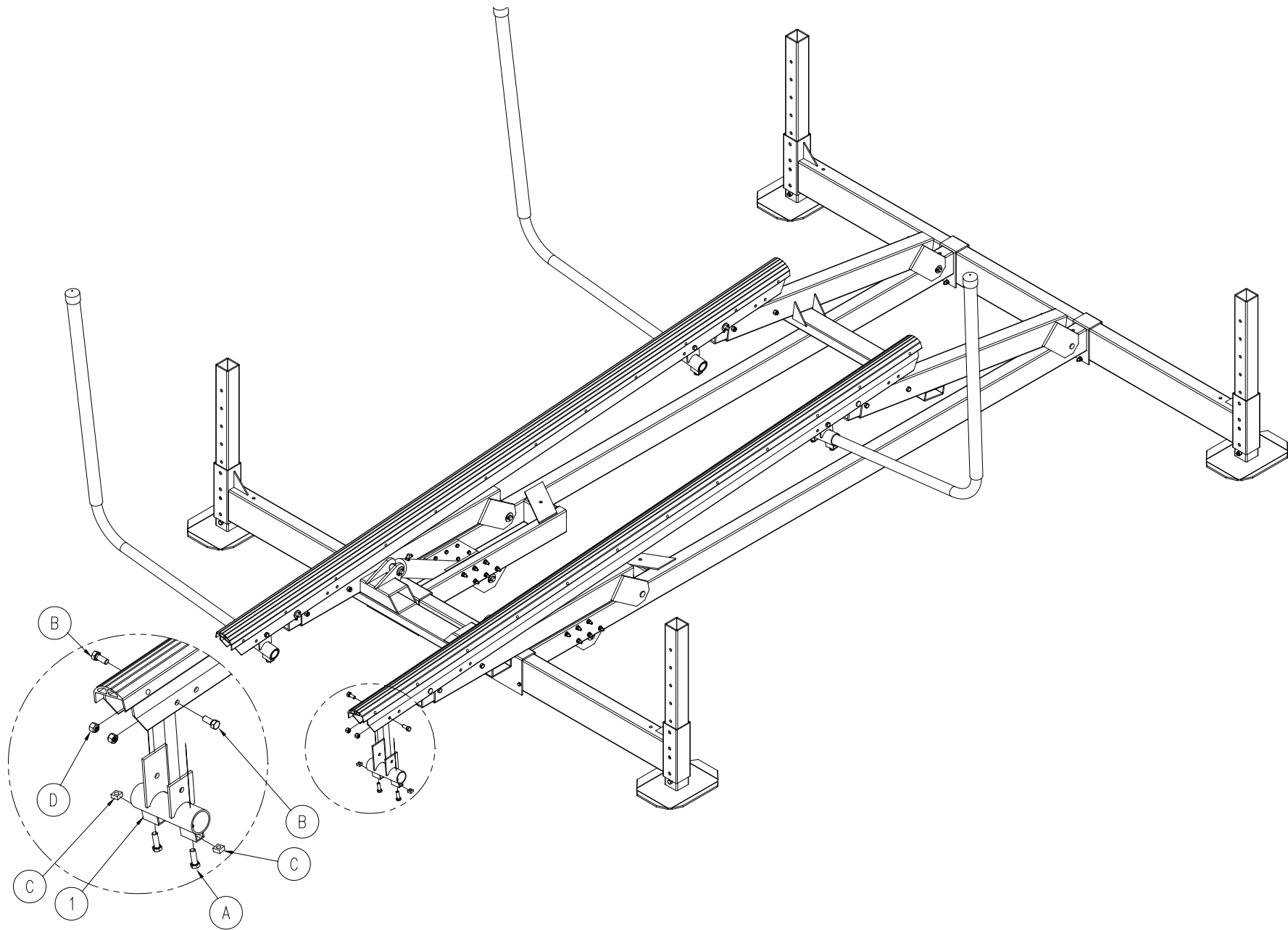


Figure 1B HL4-9K Guide Post Round-Formed

STEP 2

1. Insert the horizontal tube 60" (detail 2) into the guide post support (details 1). Tighten the 1/2" hex bolt (detail A) to retain the tube.
2. Assemble PVC tube assembly (detail 3) over formed pipe guide post . Use self-drill screw (detail E) supplied to retain PVC tube.

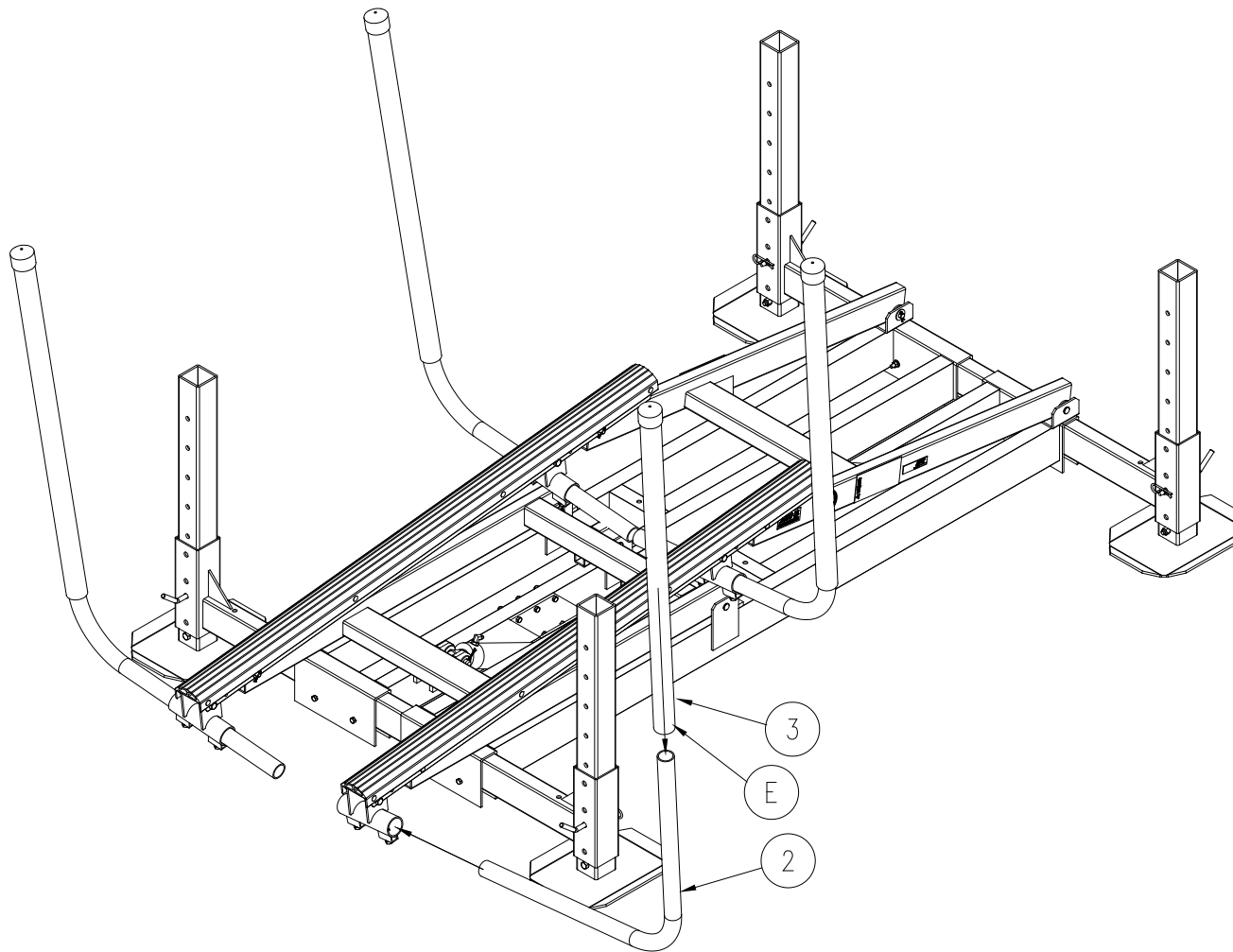


Figure 2A HL1.75-2K Guide Post Round-formed

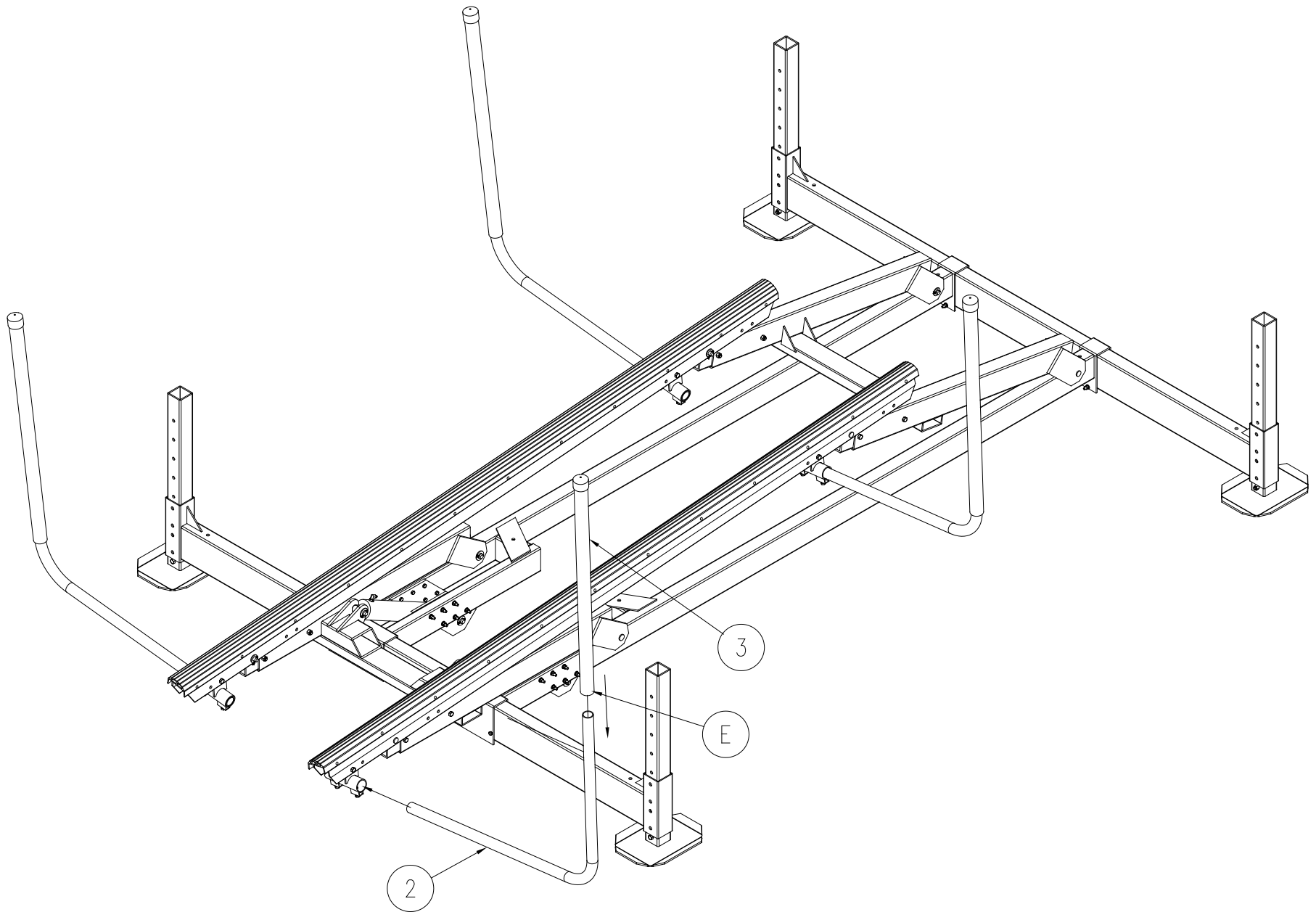


Figure 2A HL4-9K Guide Post Round-formed

HL GUIDE POST PARTS LIST

Each reference number or letter in the following parts lists can be matched with the reference number or letter referred to in the illustrations of the instruction manual.

4107050 HL1.75-2K GUIDE POST (PR) PIPE FORMED KIT

| REF # | PART # | QTY | DESCRIPTION |
|-------|----------------|----------|---|
| | 4107115 | | HL1.75-2K GUIDE POST ROUND FORMED(PR) BDL consisting of: |
| 2 | 4107665 | 2 | HLGUIDE POST ROUND PIPE-FORM 60" |
| 3 | 4107479 | 2 | HL GUIDE POST ASSY PVC 48" |
| | 4107229 | 1 | HL1.75-2K GUIDE POST (PR) PIPE FORMED COP consisting of: |
| 1 | 4107662 | 2 | HL1.75-2K GUIDE POST ROUND MTG WLDMT |
| A | 5896282 | 4 | 1/2-13 X 1-1/2 HHCS |
| B | 5896281 | 4 | 1/2-13 X 1-1/4 HHCS |
| C | 5840105 | 4 | 1/2-13 SQ NUT ALUM |
| D | 5897018 | 4 | 1/2-13 HEX NYLOCK NUT |
| E | 5806122 | 2 | SCREW SELF-DRILL #14 X 1-1/4 |

4107051 HL4-9K GUIDE POST ROUND PIPE-(PR) KIT

| REF # | PART # | QTY | DESCRIPTION |
|-------|----------------|----------|--|
| | 4107114 | | HL4-9K GUIDE POST ROUND FORMED(PR) BDL consisting of: |
| 2 | 4107666 | 2 | HLGUIDE POST ROUND PIPE-FORM 90" |
| 3 | 4107479 | 2 | HL GUIDE POST ASSY PVC 48" |
| | 4107230 | 1 | HL4-9K GUIDE POST (PR) PIPE FORMED COP consisting of: |
| 1 | 4107663 | 2 | HL1.75-2K GUIDE POST ROUND MTG WLDMT |
| A | 5896282 | 4 | 1/2-13 X 1-1/2 HHCS |
| B | 5896281 | 4 | 1/2-13 X 1-1/4 HHCS |
| C | 5840105 | 4 | 1/2-13 SQ NUT ALUM |
| D | 5897018 | 4 | 1/2-13 HEX NYLOCK NUT |
| E | 5806122 | 2 | SCREW SELF-DRILL #14 X 1-1/4 |