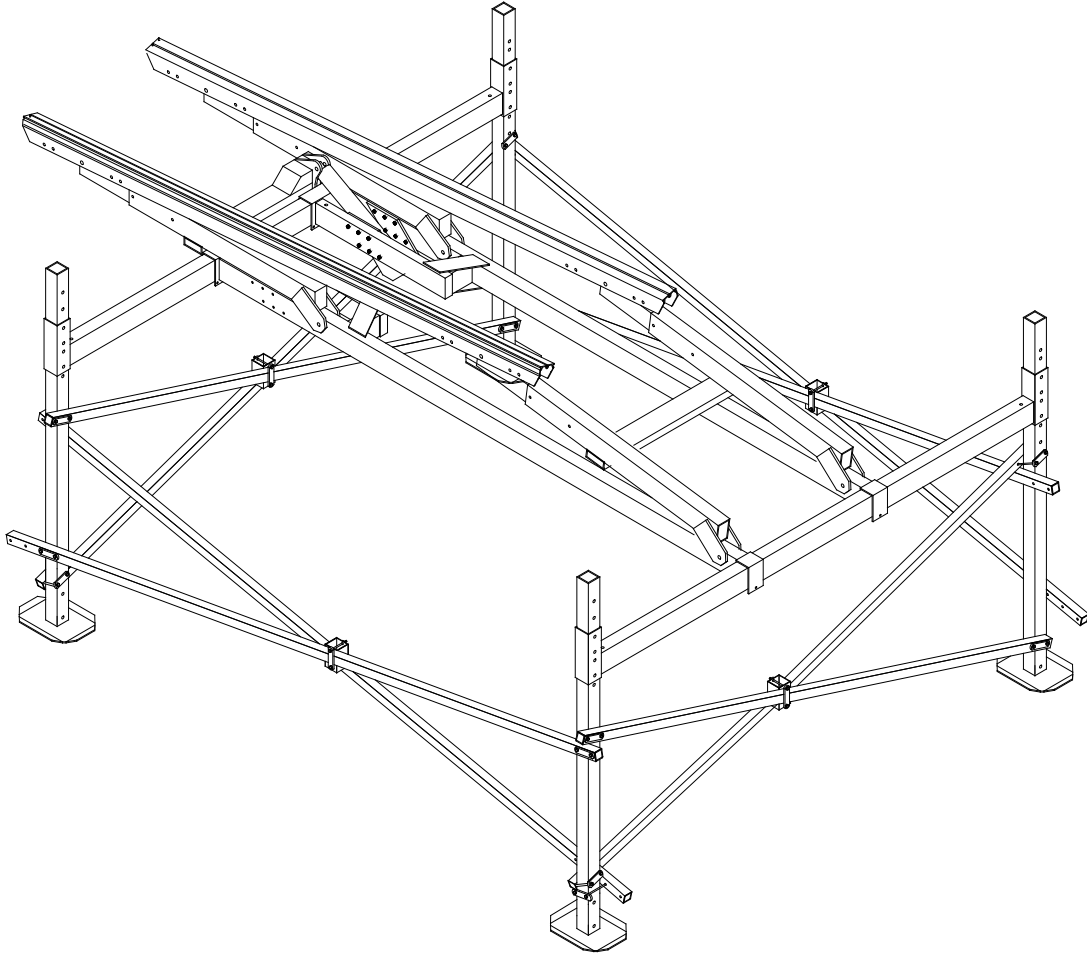




# HL EXTENSION LEG BRACING INSTRUCTIONS

(Applies to P/Ns 4107134, 4107137, 4107140, 4107141,  
4107143, 4107144)



REIMANN & GEORGER CORPORATION  
MARINE PRODUCTS  
P/N 6114172

BUFFALO, NY  
04/11/18

## TABLE OF CONTENTS

CHAPTER	TITLE	PAGE
<b>1</b>	<b>SAFETY .....</b>	<b>1</b>
1.1	Introduction .....	1
1.2	Safety Definitions .....	1
1.3	Equipment Safety Labels .....	1
1.4	Equipment and Personal Safety .....	1
1.5	Installation Safety .....	2
1.6	Operating Safety .....	2
<b>2</b>	<b>SPECIFICATIONS .....</b>	<b>3</b>
<b>3</b>	<b>INSTALLATION AND SETUP .....</b>	<b>4</b>
3.1	Pre-Installation Checks .....	4
3.2	Mounting the Extension Legs and Bracings .....	4
3.3	Moving Lift to Operating Position.....	7
<b>4</b>	<b>PARTS LISTS.....</b>	<b>8</b>
4.1	HL Extension Legs .....	8
4.2	HL Extension Legs 3 ft.....	8
4.3	HL Extension Legs 5 ft.....	8
4.4	HL Extension Legs 7 ft With End Bracing .....	8
4.5	HL Extension Legs 9 ft With End Bracing .....	8

## LIST OF FIGURES

FIGURE	DESCRIPTION	PAGE
2-1	HL Extension Legs .....	3
3-1	Extension Legs onto Lift .....	4
3-2	Installation of End Braces .....	5
3-3	Securing the Braces.....	5
3-4	Side Brace Installation .....	6
3-5	Extension Leg Braces Assembled .....	7

# 1 SAFETY

## 1.1 INTRODUCTION

Your Reimann & Georger Corporation Marine Products Hydraulic Lift Extension Leg Bracing has been engineered to provide lifting performance, long term economics and safety advantages that no other type can match. However, even well-designed and well-built bracing can malfunction or become hazardous in the hands of an inexperienced and/or untrained installer. Therefore, read this manual and related equipment manuals thoroughly before operating your lift to provide maximum safety for all operating personnel, and to get the maximum benefit from your equipment.



### **WARNING:**

**DO NOT INSTALL BRACING WITHOUT STUDYING THIS ENTIRE MANUAL AND RELATED MANUALS. FAILURE TO DO THIS CAN RESULT IN SERIOUS PERSONAL INJURY AND/OR EQUIPMENT DAMAGE. CONTACT YOUR RGC® MARINE DEALER IF YOU HAVE ANY QUESTIONS.**

## 1.2 SAFETY DEFINITIONS

A safety message alerts you to potential hazards that could hurt you or others or cause property damage. The safety messages or signal words for product safety signs are **DANGER**, **WARNING**, and **CAUTION**. Each safety message is preceded by a safety alert symbol and is defined as follows:

**DANGER:** Indicates an imminently hazardous situation that, if not avoided, **will** cause death or serious injury. This safety message is limited to the most extreme situations.

**WARNING:** Indicates a potentially hazardous situation which, if not avoided, **could** result in death or serious injury.

**CAUTION:** Indicates a potentially hazardous situation which, if not avoided, **may** result in minor or moderate injury. It may also be used to alert against unsafe practices and property-damage-only accidents.

## 1.3 EQUIPMENT SAFETY LABELS

These labels warn you of potential hazards that could cause injury. Read them carefully. If a label comes off or becomes illegible, contact a Reimann & Georger Corporation dealer for a free replacement.

## 1.4 EQUIPMENT AND PERSONNEL SAFETY

1. Do not allow persons other than authorized service personnel to repair any part of this equipment.
2. Do not exceed the rated maximum lifting capacity of this equipment.
3. Never try lifting anything other than a boat with this equipment.
4. Never allow people in the boat any time it is suspended above the water on the platform or when the lift is in use.
5. Do not stand or walk on the loading platform while it is in any raised position.
6. Do not allow anyone to swim or play under, near or on the lift at any time. Raise the bunks out of the water when leaving the lift unattended to allow swimmers to see its location.
7. Never use the lift to hang or store any auxiliary equipment such as boating hardware.
8. Never operate the lift during an electrical storm.

## **1.5 INSTALLATION SAFETY**

1. Do not weld or otherwise modify the bracing lift. Such alterations may weaken the structural integrity of the lift and void the warranty.
2. All lifting accessories, such as bunks and guide-ons, must be commercially manufactured and be properly maintained and installed.
3. Ensure that the frame is level and square.
4. The following precautions must be observed when lifting any part of this equipment:
  - a. Be sure of your footing.
  - b. Bend your knees and lift with your legs.
  - c. Hold the equipment section close to your body when lifting.
  - d. Use material handling equipment for heavy assemblies

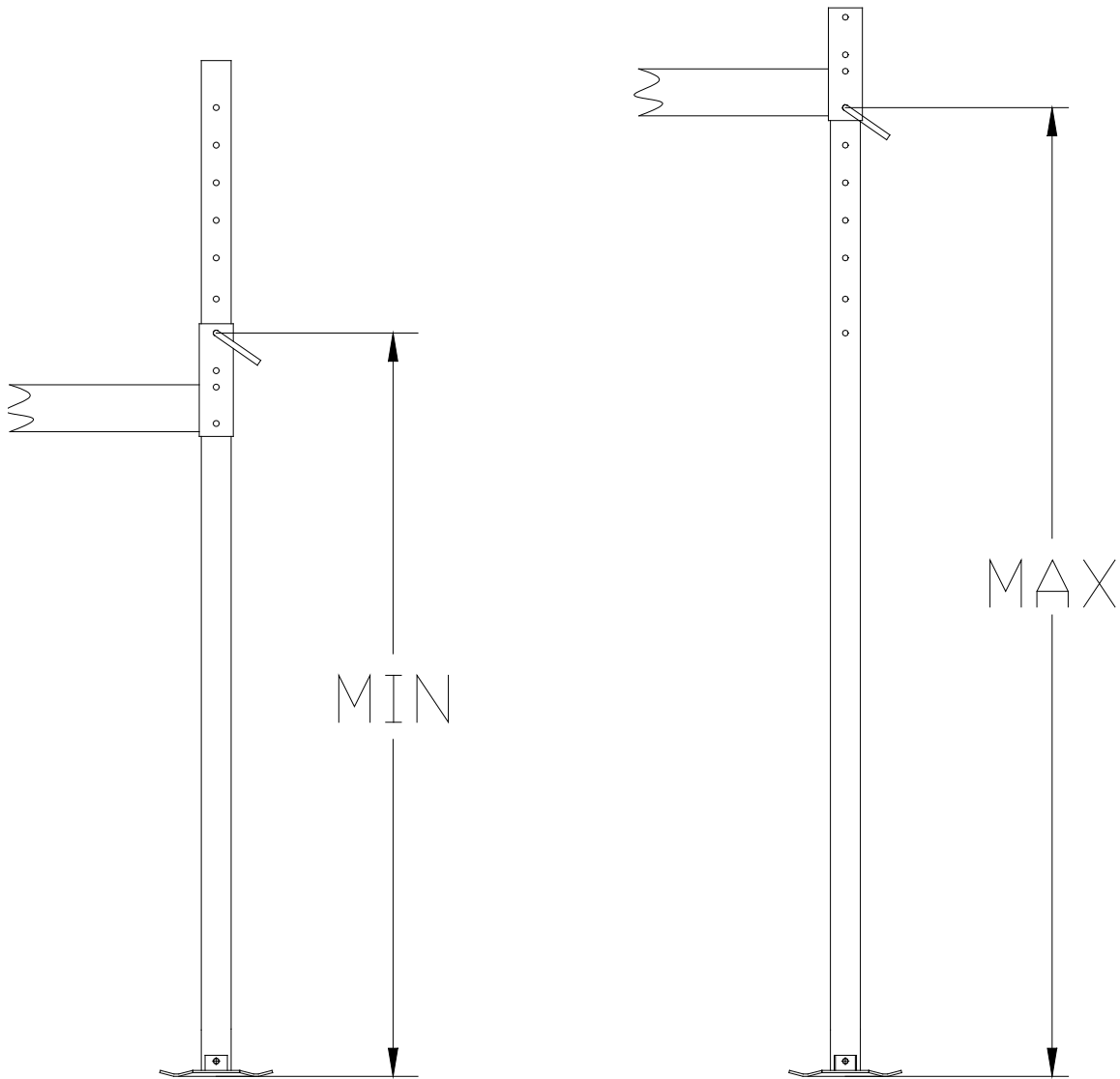
## **1.6 OPERATING SAFETY**

1. Before allowing anyone to operate the lift, be certain they fully understand the proper operating procedure.
2. Completely remove any user or dealer installed locking devices before operating the lift.
3. Ensure the center of gravity of the boat is between forward load tube and rear foot plates.
4. Do not try lifting or launching your boat in rough water conditions. This can damage your boat and/or the lift.
5. The boat must be stored with the lift in the over center position.
6. Keep people and pets clear during operation of the lift.
7. Keep all clothing and all body parts clear of moving parts.
8. Never adjust or service the lift during operation or while connected to the control box.
9. Completely lower the platform before performing any type of maintenance or repair.
10. Never allow anybody to work in or on the boat when it is suspended above the water on the lift.
11. Do not operate the lift when under the influence of drugs, alcohol, or medication.

## 2 SPECIFICATIONS

All extension legs are adjustable at 1 in. increments. 7 foot and larger extension legs require bracing. Adjustment range is measured from base of leg pocket assembly to bottom of foot plate.

EXTENSION LEG SIZE	ADJUSTMENT RANGE (in)	BRACING PACKAGE
3 ft	5-1/2 to 29-1/2	NO BRACING
5 ft	29-1/2 to 53-1/2	NO BRACING
7 ft	53-1/2 to 77-1/2	EXT LEG BRACING
9 ft	77-1/2 to 101-1/2	EXT LEG BRACING



**Figure 2-1 HL Extension Legs**

### 3 INSTALLATION AND SETUP

#### 3.1 PRE-INSTALLATION CHECKS

1. Do not install extension legs or bracing on the lift without reading both this manual and your hydraulic lift manual. Failure to do so could result in personal injury and/or equipment damage.
2. Do not install extension legs or bracing without first inspecting and replacing any damaged or defective parts.
3. Do not weld or otherwise modify any part of the extension legs or bracing. Such alterations may weaken the structural integrity of the lift and void the warranty.
4. Do not install the extension legs or extension leg bracing with the weight of the boat on the lift. This can cause personal injury and/or equipment damage.
5. This product has been supplied with stainless steel hardware to protect against a harsh marine environment and provide outstanding performance. Due to the chemistry and surface condition of stainless steel, there is a natural tendency for the hardware to “gall, lock up, or seize” during assembly. To prevent this from occurring, it is **highly recommended** that the anti-seize supplied in the hardware bag be applied to the mating surfaces of all stainless steel fasteners before assembly. Lubricants containing molybdenum disulfide, graphite, mica or talc may also be used.

#### 3.2 MOUNTING THE EXTENSION LEGS AND BRACINGS

1. Insert foot plate and extension leg assembly into leg assembly of lift mainframe at desired height. Secure into place using leg pin and clip (supplied with boat lift). Do this for all four corners of the lift. Refer to Figure 3-1.

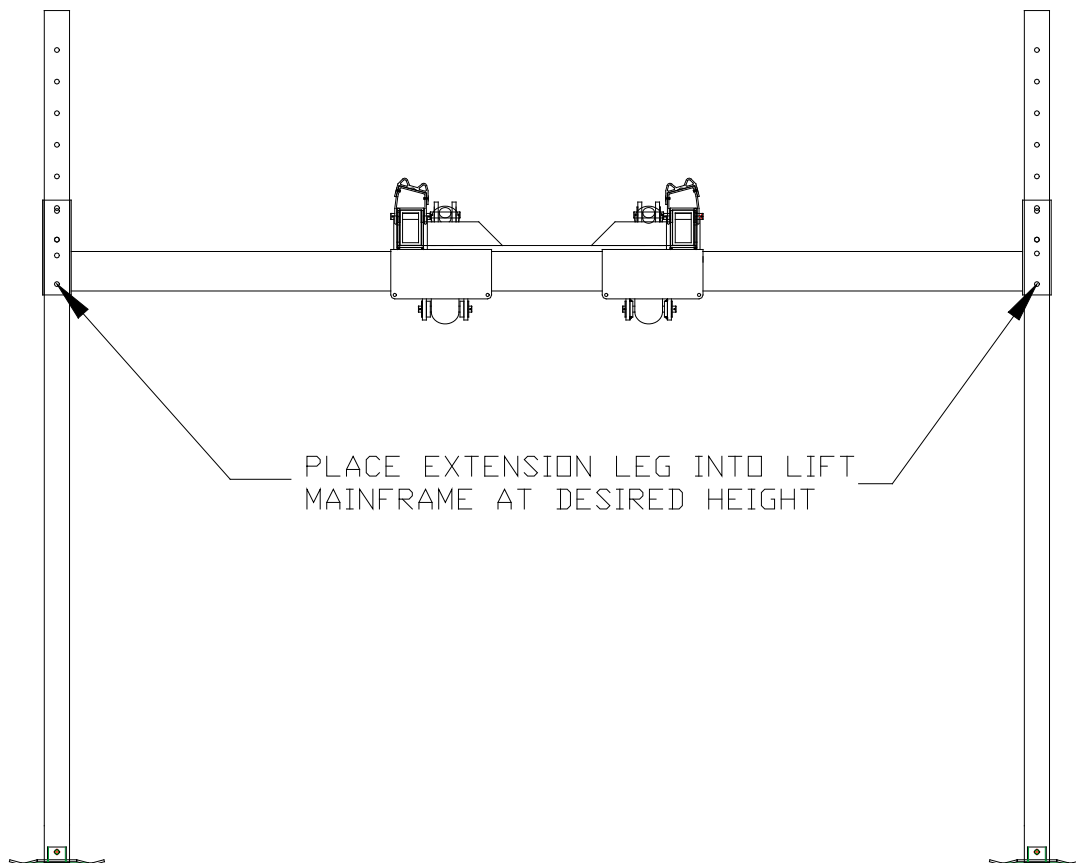
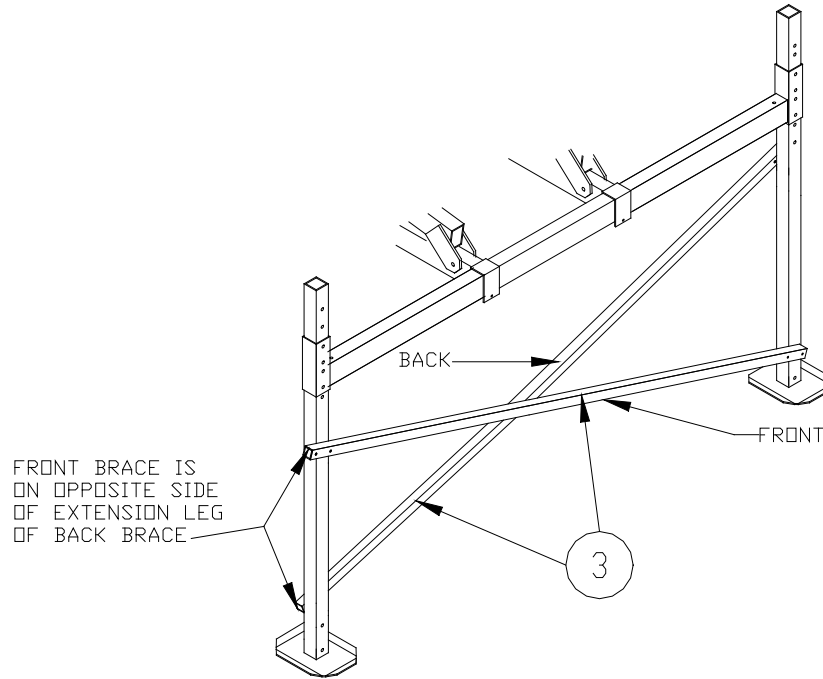


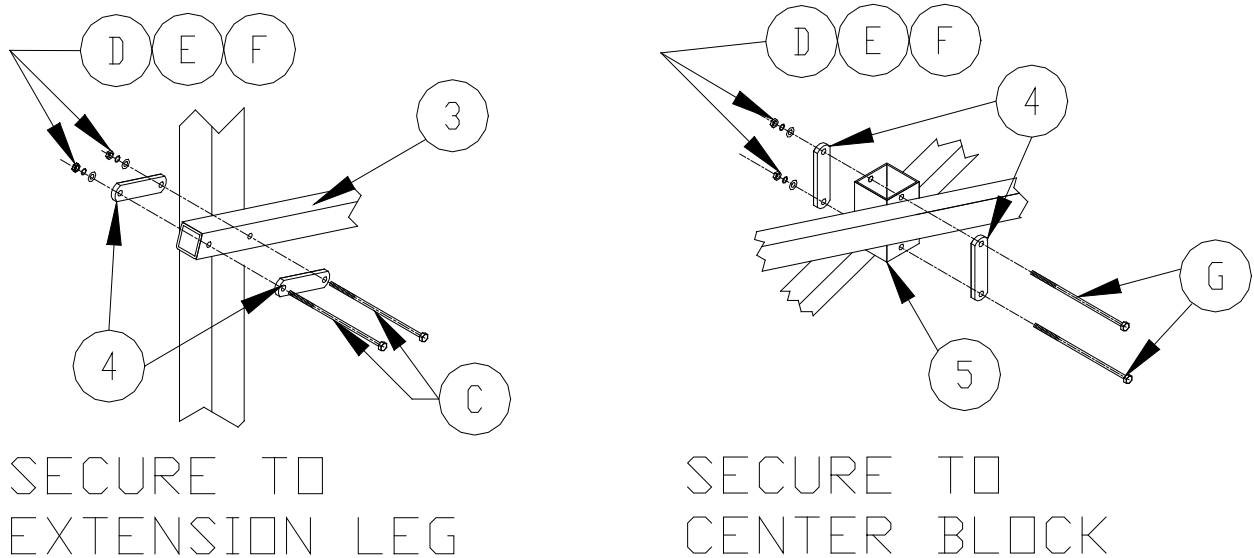
Figure 3-1 Extension legs onto lift.

- Once the extension legs are in place on the lift, the end braces can be installed on the front and back of the lift. Position the braces on the extension legs placing one brace in front of the other so that the extension leg is in between them as shown in Figure 3-2. The braces are installed the same way for both the front and the back of the lift.



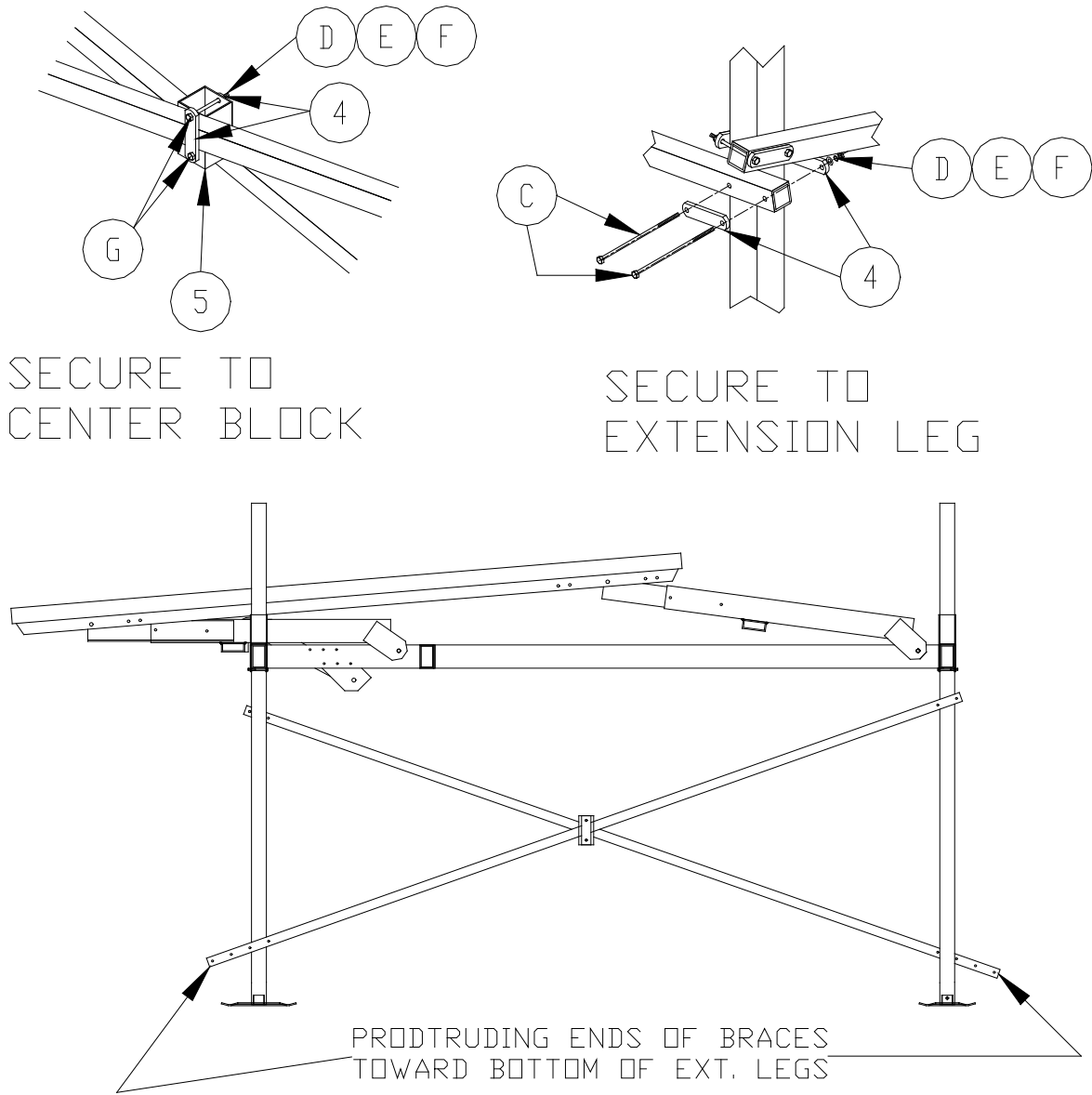
**Figure 3-2 Installation of end braces on front and rear of lift.**

- Once the braces are in place, use the two hole plates, 3/8-16 X 9" bolts, washer, lock washer, and hex nut to secure the braces to the extension legs. In the center of the braces, use the center block along with the bolts, washers and hex nut to secure the center of the braces. Refer to Figure 3-3.



**Figure 3-3 Securing the braces.**

- Position the side braces in the same way the end braces were positioned. For the 9k lifts, one end of each of the side braces will protrude out. The protruding end of the side braces is positioned to the bottom of the extension legs by the foot plates so as not to stick out of the water as an obstruction. The side braces can be installed in the same way as the end braces are installed. Secure to the extension legs and in the center to the center block. Refer to Figure 3-4.



**Figure 3-4 Side Brace Installation**



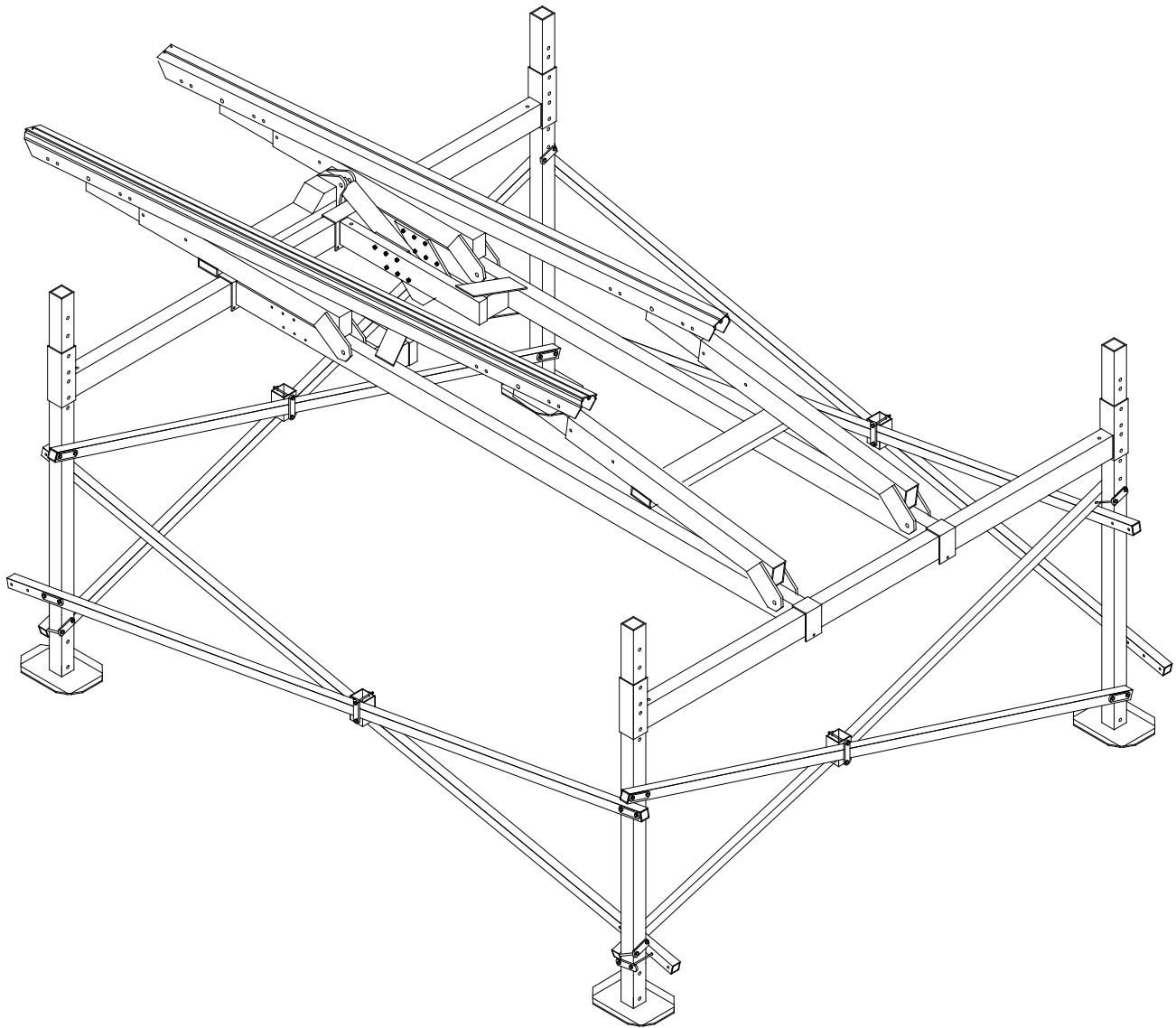
### 3.3 MOVING LIFT TO OPERATING POSITION

1. Before moving lift to operating position, ensure the completed extension leg assembly appears as shown in **Figure 3-5** and all hardware is securely fastened.
2. Use a material-handling device to move the assembled lift into position.
3. After moving your lift to the operating position, ensure that the frame is square and that the lift sets level.

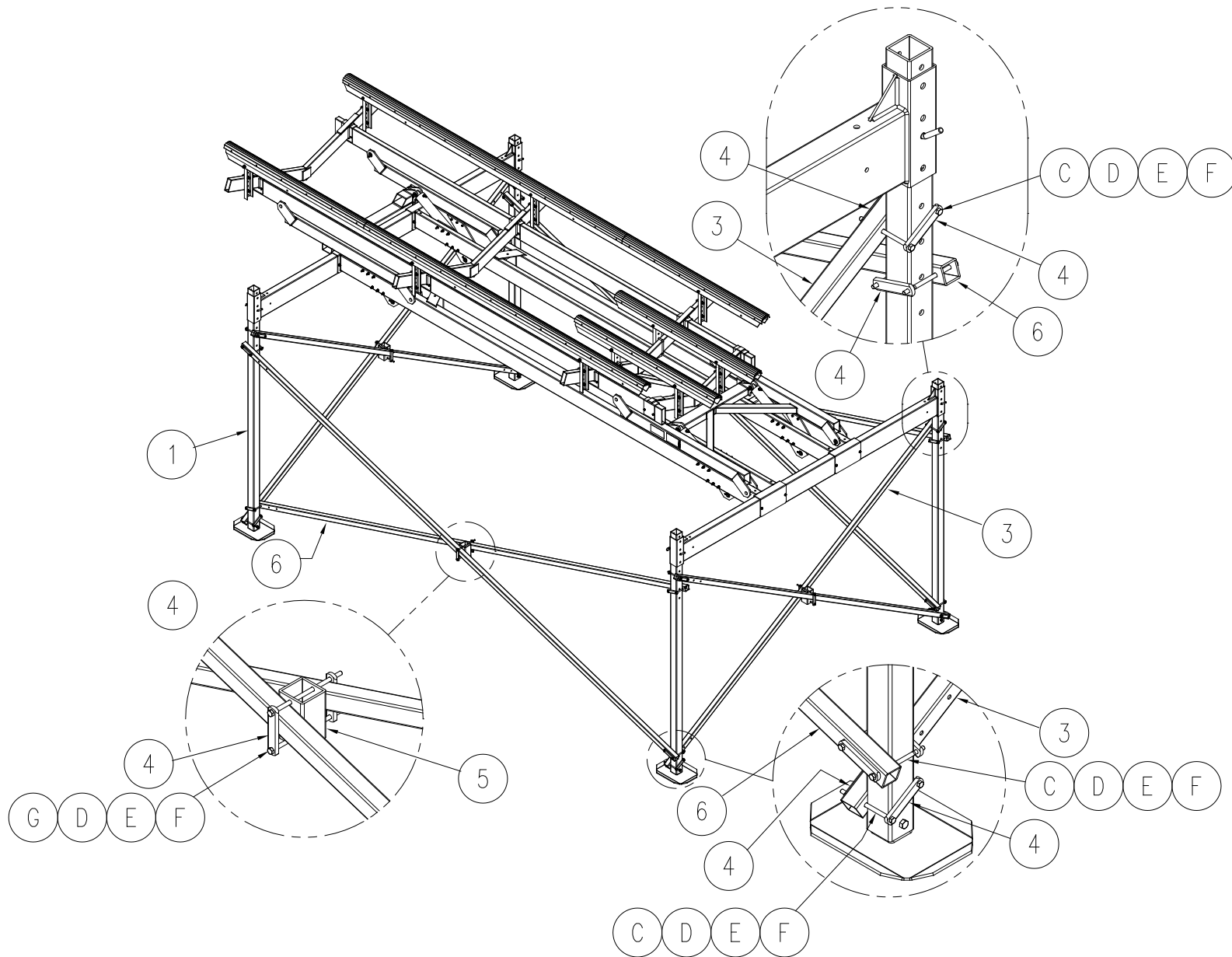


#### **CAUTION:**

**ENSURE LIFT IS SQUARE AND LEVEL TO PREVENT PLATFORM BINDING AND/OR EQUIPMENT DAMAGE.**



**Figure 3-5A Extension Leg Braces Assembled**



**Figure 3-5B HL12K 9FT Extension Leg Braces Assembled**

## 4 PARTS LISTS

Each reference number in the following parts lists can be matched with the reference number shown on the illustrations in Chapter 3, Installation and Setup.



**WARNING:**

**FAILURE TO APPLY A SUITABLE LUBRICANT TO THE MATING SURFACES OF STAINLESS STEEL THREADED FASTENERS MAY CAUSE GALLING AND/OR SEIZING OF ASSEMBLY.**

**HL EXTENSION LEGS**

**4.1 #4107134 HL Extension Legs 3 ft ( 1 Pr. )**

REF #	PART #	QTY	DESCRIPTION
	4107616	2	HL EXT LEG 3 ft

**4.2 #4107137 HL Extension Legs 5 ft ( 1 Pr. )**

REF #	PART #	QTY	DESCRIPTION
	4107619	2	HL EXT LEG 5 ft

**4.3 #4107140 7 ft Extension Leg (1 Pr.) With End Bracing**

REF #	PART #	QTY	DESCRIPTION
2	4107622	2	HL EXT LEG 7 ft
3	4107842	2	HL EXT LEG END BRACE 7 ft
5	4107839	2	HL EXT LEG CENTER BLOCK
6	4107848	2	HL EXT LEG SIDE BRACE 7 ft
	<b>4107312</b>	<b>1</b>	<b>HL EXT LEG BRACE BAG OF BOLTS consists of:</b>
4	4107836	20	HL 2-HOLE PLATE 3-3/4"
C	5896269	16	HHCS 3/8-16 X 6-1/2 SS
D	5896377	20	NUT HEX 3/8-16 SS
E	5896406	20	WASHER FLAT SAE 3/8" SS
F	5806243	20	WASHER SPLIT LOCK 3/4 SS
G	5896114	4	HHCS 3/8-16 X 9 SS

**4.4 # 4107143 9 ft Extension Leg (1 Pr.) With End Bracing**

REF #	PART #	QTY	DESCRIPTION
1	4107625	2	HL EXT LEG 9 ft
3	4107845	2	HL EXT LEG END BRACE 9 ft
5	4107839	2	HL EXT LEG CENTER BLOCK
6	4107851	2	HL EXT LEG SIDE BRACE 9 ft
	<b>4107312</b>	<b>1</b>	<b>HL EXT LEG BRACE BAG OF BOLTS consists of:</b>
4	4107836	20	HL 2-HOLE PLATE 3-3/4"
C	5896269	16	HHCS 3/8-16 X 6-1/2 SS
D	5896377	20	NUT HEX 3/8-16 SS
E	5896406	20	WASHER FLAT SAE 3/8" SS
F	5806243	20	WASHER SPLIT LOCK 3/4 SS
G	5894114	4	HHCS 3/8-16 X 9 SS

**4.5 #4107141 HL12K- 7 ft Extension Leg (1 Pr.) With End Bracing**

REF #	PART #	QTY	DESCRIPTION
2	4107622	2	HL EXT LEG 7 ft
3	4107852	2	HL12K EXT LEG END BRACE 7 ft
5	4107839	2	HL EXT LEG CENTER BLOCK
6	4107848	2	HL EXT LEG SIDE BRACE 7 ft
	<b>4107312</b>	<b>1</b>	<b>HL EXT LEG BRACE BAG OF BOLTS consists of:</b>
4	4107836	20	HL 2-HOLE PLATE 3-3/4"
C	5896269	16	HHCS 3/8-16 X 6-1/2 SS
D	5896377	20	NUT HEX 3/8-16 SS
E	5896406	20	WASHER FLAT SAE 3/8" SS
F	5806243	20	WASHER SPLIT LOCK 3/4 SS
G	5896114	4	HHCS 3/8-16 X 9 SS

**4.6 # 4107144 HL12K- 9 ft Extension Leg (1 Pr.) With End Bracing**

REF #	PART #	QTY	DESCRIPTION
1	4107625	2	HL EXT LEG 9 ft
3	4107852	2	HL EXT LEG END BRACE 9 ft
5	4107839	2	HL EXT LEG CENTER BLOCK
6	4107848	2	HL EXT LEG SIDE BRACE 7 ft
	<b>4107312</b>	<b>1</b>	<b>HL EXT LEG BRACE BAG OF BOLTS consists of:</b>
4	4107836	20	HL 2-HOLE PLATE 3-3/4"
C	5896269	16	HHCS 3/8-16 X 6-1/2 SS
D	5896377	20	NUT HEX 3/8-16 SS
E	5896406	20	WASHER FLAT SAE 3/8" SS
F	5806243	20	WASHER SPLIT LOCK 3/4 SS
G	5894114	4	HHCS 3/8-16 X 9 SS