



EXTERNAL LEG DOCK INSTRUCTIONS

(Applies to P/Ns 4007303, 4007206, 4007209, 4007212, 4007215)

**REIMANN & GEORGER CORPORATION
MARINE PRODUCTS
P/N 6112154**

**BUFFALO, NY
04/24/18**

1 SAFETY

1.1 INTRODUCTION

Your Reimann & Georger Corporation Marine Products Stationary Dock has been engineered to provide reliable performance, long term economics and safety advantages that no other type can match. However, even a well-designed and well-built dock can malfunction or become hazardous in the hands of an inexperienced and/or untrained user. Therefore, read this manual and related equipment manuals thoroughly before using your dock to provide maximum safety for all personnel, and to get the maximum benefit from your equipment.

1.2 SAFETY DEFINITIONS

A safety message alerts you to potential hazards that could hurt you or others or cause property damage. The safety messages or signal words for product safety signs are **DANGER**, **WARNING**, and **CAUTION**. Each safety message is preceded by a safety alert symbol and is defined as follows:

DANGER: Indicates an imminently hazardous situation which, if not avoided, **will** cause death or serious injury. This safety message is limited to the most extreme situations.

WARNING: Indicates a potentially hazardous situation which, if not avoided, **could** result in death or serious injury.

CAUTION: Indicates a potentially hazardous situation which, if not avoided, **may** result in minor or moderate injury. It may also be used to alert against unsafe practices and property-damage-only accidents.

1.3 EQUIPMENT SAFETY LABELS

These labels warn you of potential hazards that could cause injury. Read them carefully. If a label comes off or becomes illegible, contact a Reimann & Georger Corporation dealer for a free replacement.

1.4 EQUIPMENT AND PERSONNEL SAFETY

1. Do not assemble or use the dock if any part shows any signs of damage.
2. Do not weld or otherwise modify the dock. Such alterations may weaken the structural integrity of the dock and void the warranty.
3. Ensure that all bolts and nuts are fastened securely prior to using the dock.
4. Ensure that all the assembled frames are level and square.
5. All docking accessories must be commercially manufactured and be properly maintained and installed.
6. Do not install or use the dock under the influence of drugs, alcohol, or medication.
7. The dock is intended to support the weight of people only. Do not place any type of watercraft or any heavy equipment on the dock.
8. Do not leave objects such as boating hardware laying on the dock. These can cause someone to trip and fall into the water.
9. Do not use the dock during an electrical storm.
10. Do not allow anyone to swim or play under, near or on the dock at any time.
11. At least once a year, inspect the dock thoroughly.
12. Immediately replace any components found to be defective.

2 INSTALLATION AND SETUP

2.1 PRE-INSTALLATION CHECKS

1. Check the packing list to insure that you have all the parts for the dock configuration you are planning to build. Insure you have the desired type of deck.
2. If any parts are missing or damaged, contact your local supplier or Reimann & Georger Corporation. Do NOT assemble the dock if any part shows any signs of damage.
3. Do not weld or otherwise modify any part of the dock assembly. Such alterations may weaken the structural integrity of the dock and void the warranty.
4. Check water depth where each support post will be located.
5. Do not assemble the dock without first reviewing all the safety procedures described in Chapter 1.

2.2 GENERAL ASSEMBLY INSTRUCTIONS

1. The dock sections are the same regardless of configuration.
2. Set the dock frame upside down on either soft level ground or sawhorses to install dock support package.
3. This product has been supplied with stainless steel hardware to protect against a harsh marine environment and provide outstanding performance. Due to the chemistry and surface condition of stainless steel, there is a natural tendency for the hardware to “gall, lock up, or seize” during assembly. To prevent this from occurring, it is **highly recommended** that the anti-seize supplied in the hardware bag be applied to the mating surfaces of all stainless steel fasteners before assembly. Lubricants containing molybdenum disulfide, graphite, mica or talc may also be used.



CAUTION:

DO NOT EXCEED THE MAXIMUM TORQUE RATING ON ALL BOLTS OF 20 FT-LBS.



WARNING:

FAILURE TO APPLY A SUITABLE LUBRICANT TO THE MATING SURFACES OF STAINLESS STEEL THREADED FASTENERS MAY CAUSE GALLING AND/OR SEIZING OF ASSEMBLY.

4. Assemble and install one dock section at a time.

2.3 DOCK LEG ASSEMBLY AND ADJUSTMENT

1. (Refer to Figure 2-1) The dock extension legs slide into the leg pockets that are on the dock leg frames. Determine the leg length required. Slide the leg through the leg pocket tube as shown in the figure. To once the leg is in the desired position, slide a square nut (15) into the nut keeper tube located on the leg pocket. To lock the leg in place, tighten down the 1/2" (C) bolt to secure it. Each leg pocket has two capture nuts.
2. Attach the foot plate (A) to the bottom of the extension leg as shown in the figure. Fasten into place using a 3/8" bolt (D), 3/8 hex nut, lock washer, and flat washer (G, E, F).

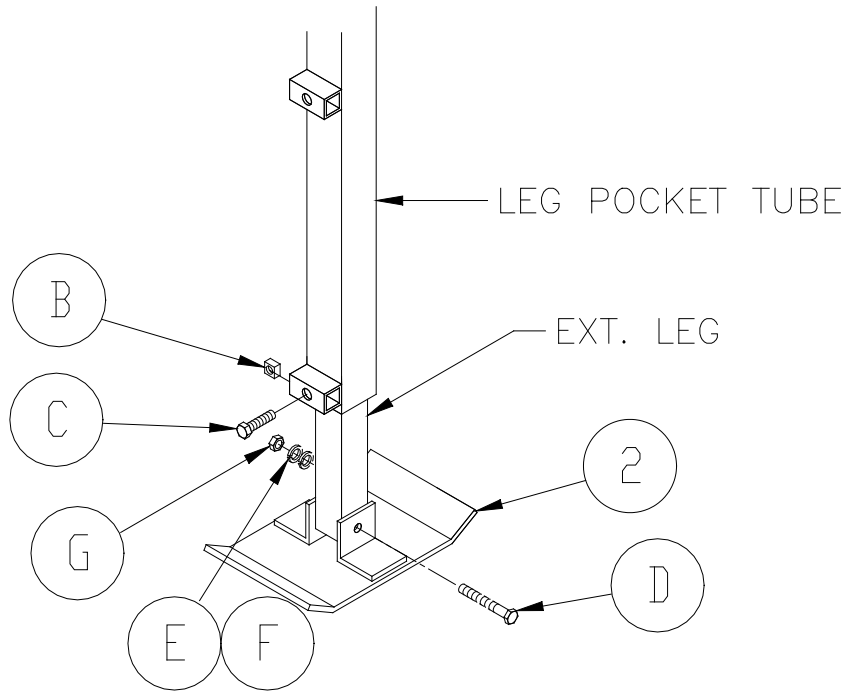


Figure 2-1.
Dock Leg Assembly and Adjustment

2.4 CONNECTING FRAME

1. (Refer to Figures 2-2 and 2-3) The connecting frame (1) is connected between two dock sections and fastens the two together.
2. The ends of the dock sections bolt to each other using two 3/8 bolts (H), 3/8 flat washers (E), 3/8 split lock washers (F), 3/8 hex nuts (G).
3. The leg frame mounts to the dock sections as shown in Figure 2- using the same hardware.

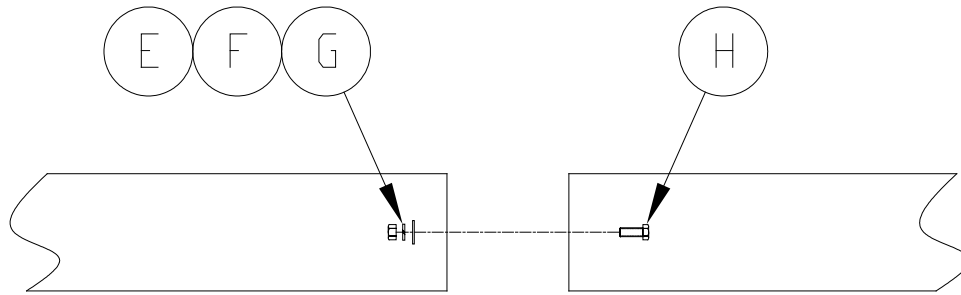


Figure 2-2 Fasten ends of dock using two hex bolts.

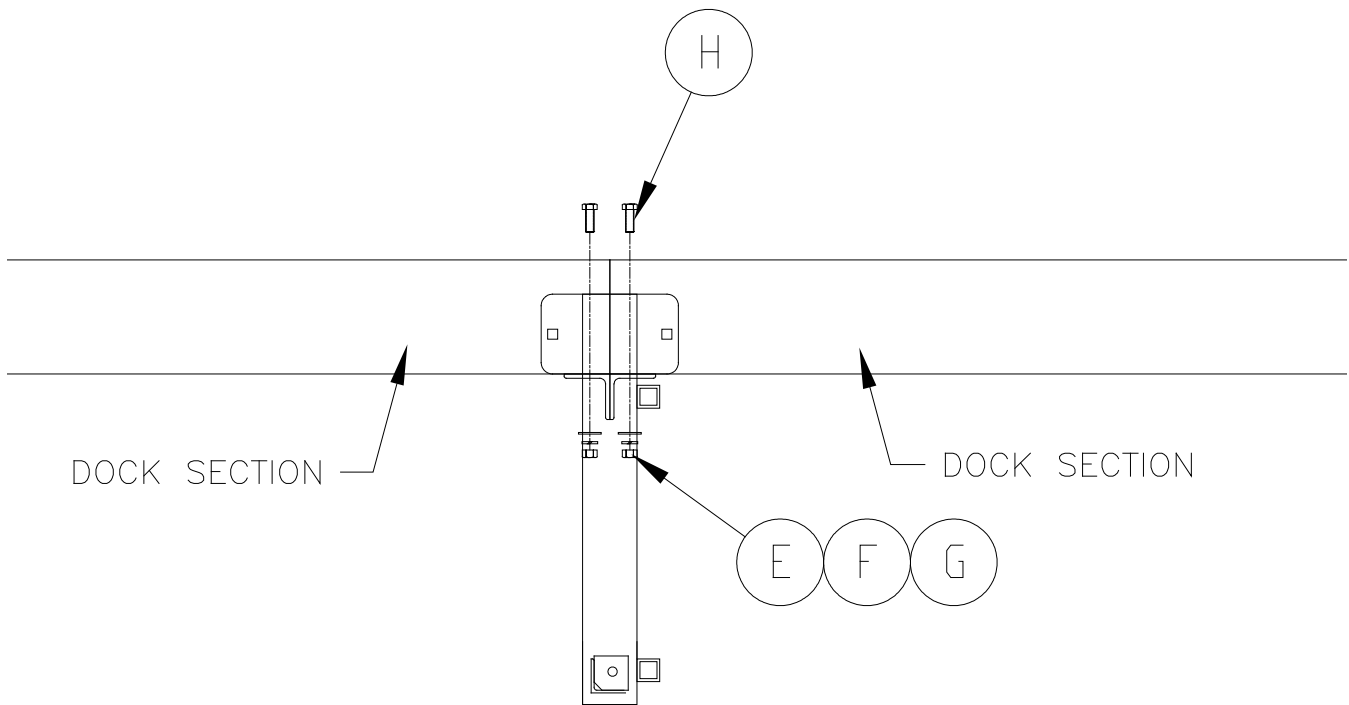


Figure 2-3 Connecting Frame Assembly.

2.5 DIAGONAL BRACES

1. The braces mount to the angle on the inside of the side profile of the dock and to the plate on the bottom of the leg plates with the necessary hardware shown in figure 2-3. Figure 2-4 gives an example of how they would mount on either a connecting frame or an end frame

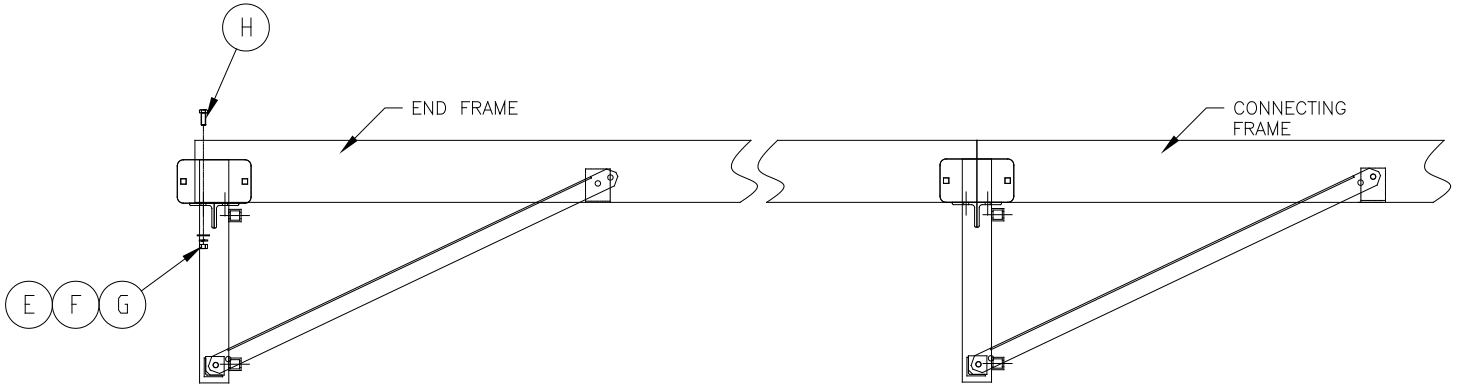


Figure 2-4 Diagonal Brace

3 INSPECTION AND MAINTENANCE

3.1 GENERAL MAINTENANCE RULES

1. Do not allow persons other than authorized service personnel to repair this equipment.
2. Do not weld or otherwise modify the dock. Such alterations may weaken the structural integrity of the dock and invalidate your warranty.

3.2 ANNUAL INSPECTION

At least once a year, the dock must be thoroughly inspected.



WARNING:

DO NOT ALLOW ANYBODY TO USE THE DOCK UNTIL THIS MAINTENANCE IS COMPLETED.

1. Ensure all bolts are tight.
2. Check frame thoroughly for defects.

3.3 STORAGE PROCEDURE

1. Remove the dock before the water freezes.
2. Store the dock away from the edge of the water to prevent ice damage.

PARTS LIST

4007303 Classic Dock External Leg Support Frame

ITEM	PART #	QTY	DESCRIPTION
	4007405	1	DOCK EXT LEG SUPT BDL OB: INCLUDES
A	5896217	4	BOLT CARR 3/8-16 X 1-1/4 SS
B	5896385	4	NUT SQUARE HD 1/2-13 SS
C	5896282	4	HHCS 1/2-13 X 1-1/2 SS
E	5896406	12	WASHER FLAT SAE 3/8" SS
F	5806243	12	WASHER SPLIT LOCK 3/8 SS
G	5840104	12	NUT HEX 3/8-16 ALUM
H	5896247	8	HHCS 3/8-16 X 1 SS
1	4003503	REF	CONNECTING FRAME

4007206 4' Leg Support Package

ITEM	PART #	QTY	DESCRIPTION
	4010682	2	T-DOCK LEG SHORELINE 48"
	4007408	1	DOCK EXT EXTEN LEG COP: includes
2	4002208	2	FOOT PLATE
3	6436422	2	PLUG RIBBED SQ 2"X5/8"L BLACK
	4007402	1	DOCK EXT EXTEN LEG BOB: includes
D	5896255	2	HHCS 3/8-16 X 3 SS
E	5896406	2	WASHER FLAT SAE 3/8" SS
F	5806243	2	WASHER SPLIT LOCK 3/8 SS
G	5840104	2	NUT HEX 3/8-16 ALUM

4007209 6' Leg Support Package

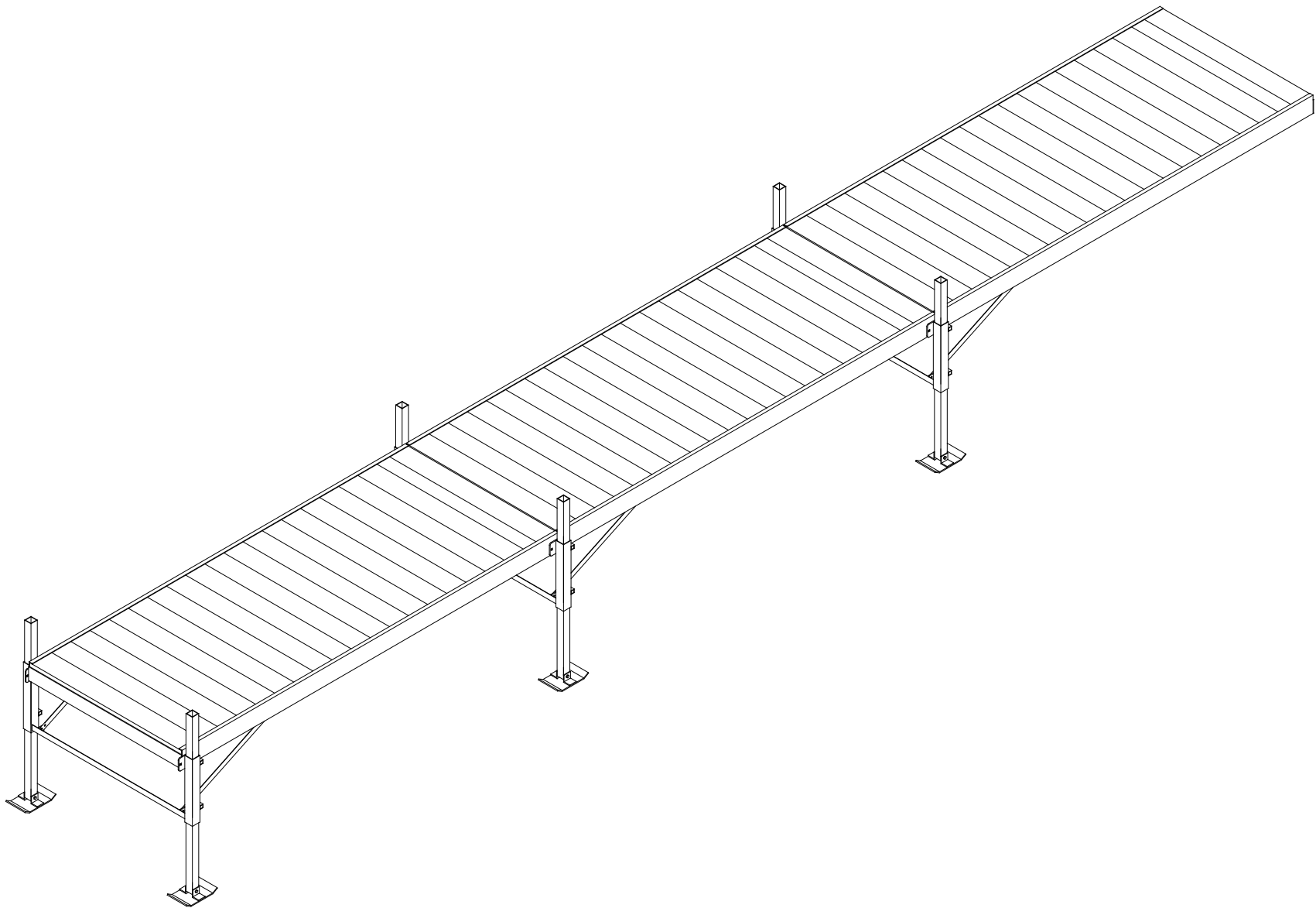
ITEM	PART #	QTY	DESCRIPTION
	4010604	2	T-DOCK LEG SHORELINE 72"
	4007408	1	DOCK EXT EXTEN LEG COP: includes
2	4002208	2	FOOT PLATE
3	6436422	2	PLUG RIBBED SQ 2"X5/8"L BLACK
	4007402	1	DOCK EXT EXTEN LEG BOB: includes
D	5896255	2	HHCS 3/8-16 X 3 SS
E	5896406	2	WASHER FLAT SAE 3/8" SS
F	5806243	2	WASHER SPLIT LOCK 3/8 SS
G	5840104	2	NUT HEX 3/8-16 SS

4007212 8' Leg Support Package

ITEM	PART #	QTY	DESCRIPTION
	4010605	2	T-DOCK LEG SHORELINE 96"
	4007408	1	DOCK EXT EXTEN LEG COP: includes
2	4002208	2	FOOT PLATE
3	6436422	2	PLUG RIBBED SQ 2"X5/8"L BLACK
	4007402	1	DOCK EXT EXTEN LEG BOB: includes
D	5896255	2	HHCS 3/8-16 X 3 SS
E	5896406	2	WASHER FLAT SAE 3/8" SS
F	5806243	2	WASHER SPLIT LOCK 3/8 SS
G	5840104	2	NUT HEX 3/8-16 SS

4007215 10' Leg Support Package

ITEM	PART #	QTY	DESCRIPTION
	4010606	2	T-DOCK LEG SHORELINE 120"
	4007408	1	DOCK EXT EXTEN LEG COP: includes
2	4002208	2	FOOT PLATE
3	6436422	2	PLUG RIBBED SQ 2"X5/8"L BLACK
	4007402	1	DOCK EXT EXTEN LEG BOB: includes
D	5896255	2	HHCS 3/8-16 X 3 SS
E	5896406	2	WASHER FLAT SAE 3/8" SS
F	5806243	2	WASHER SPLIT LOCK 3/8 SS
G	5840104	2	NUT HEX 3/8-16 SS



ASSEMBLED VIEW