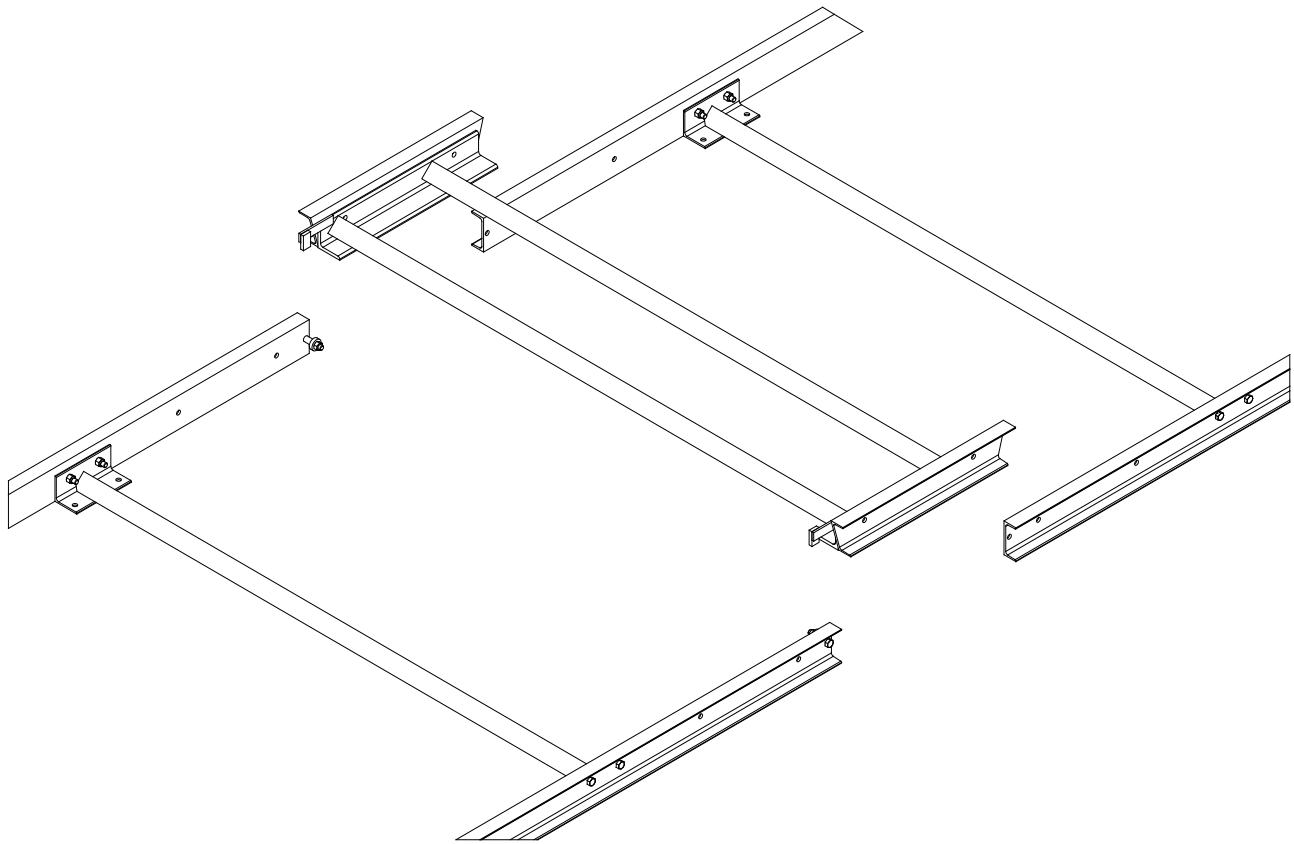




# AR4K DOOR SPLICE



**REIMANN & GEORGER CORPORATION**  
**MARINE PRODUCTS**  
P/N 61-----

**BUFFALO, NY**  
7/23/14

# 1. INSTALLATION

## 1.1 PRE-INSTALLATION CHECKS

1. Do not assemble the AR4K Door Splice Kit if any part shows any sign of damage.
2. This product has been supplied with stainless steel hardware to protect against a harsh marine environment and provide outstanding performance. Due to the chemistry and surface condition of stainless steel, there is a natural tendency for the hardware to “gall, lock up, or seize” during assembly. To prevent this from occurring, it is **highly recommended** that the anti-seize supplied in the hardware bag be applied to the mating surfaces of all stainless steel fasteners before assembly. Lubricants containing molybdenum disulfide, graphite, mica or talc may also be used.



### **CAUTION:**

**DO NOT EXCEED THE MAXIMUM TORQUE RATING ON ALL BOLTS OF 20 FT-LBS.**



### **WARNING:**

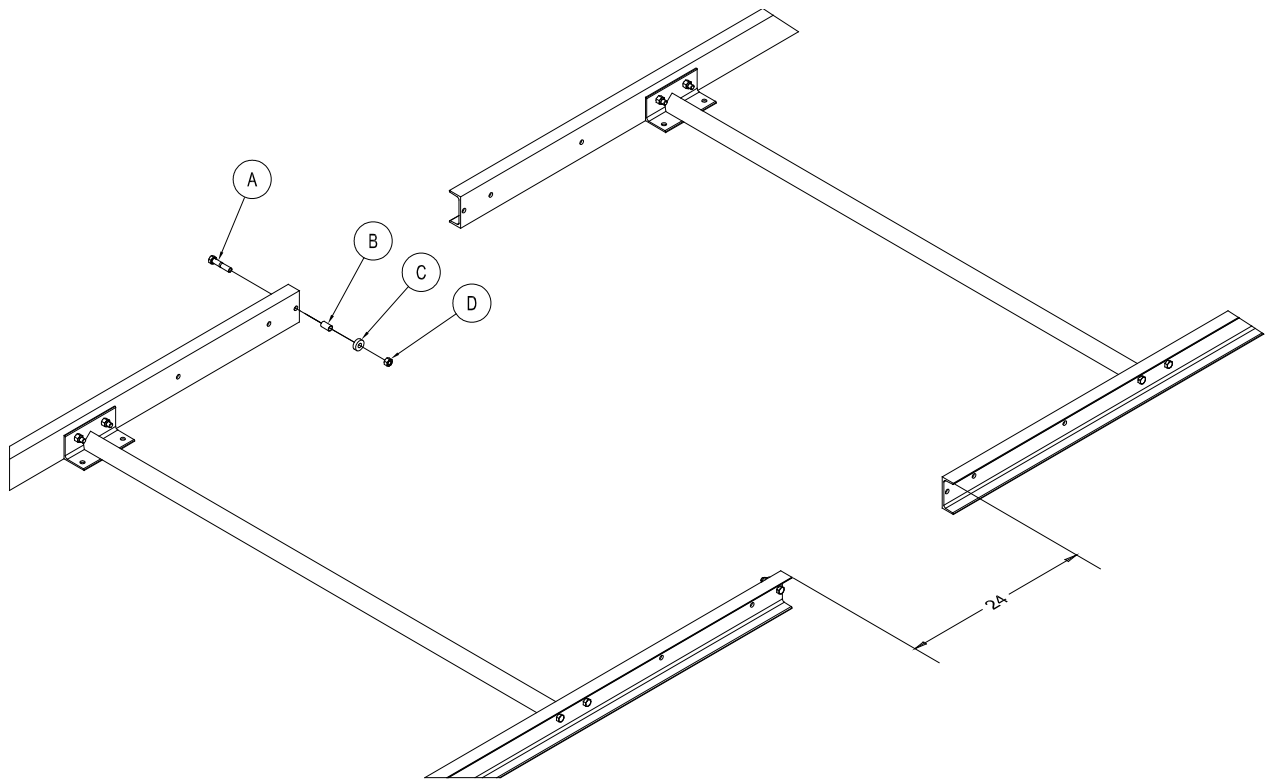
**FAILURE TO APPLY A SUITABLE LUBRICANT TO THE MATING SURFACES OF STAINLESS STEEL THREADED FASTENERS MAY CAUSE GALLING AND/OR SEIZING OF ASSEMBLY.**

3. During installation, the following precautions must be observed when lifting any part of this equipment:
  - a. Be sure of your footing.
  - b. Bend your knees and lift with your legs.
  - c. Hold the equipment section close to your body when lifting.

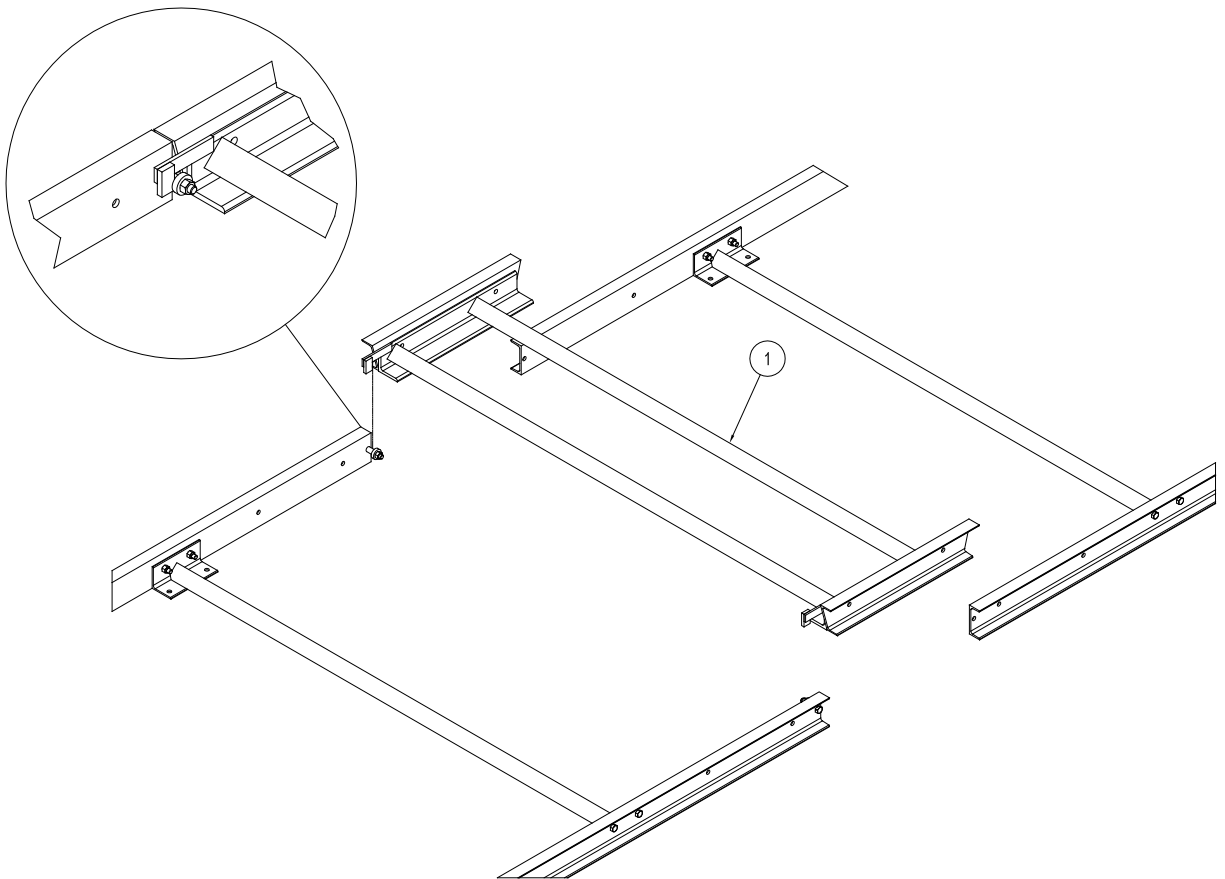
The reference numbers and letters used in Figures 1 & 2 are the same as those listed in the parts lists of Chapter 2.

## 1.2 INSTALLATION

1. Install AR4K track assemblies as described in the AR4K Railway manual. Leave a 24” gap between the sections that are located on either side of the door, as shown in fig. 1. Be sure to anchor track sections to the pad so that the sections will remain aligned.
2. Install Door Splice Hardware as shown in fig. 1. See Parts List in Section 2.
3. Drop in AR4K Door Splice Track Assembly as shown in fig. 2.



**Figure 1.**  
**AR4K Door Splice Hardware Assembly**



**Figure 2.**  
**AR4K Door Splice assembly**

## 2. PARTS LISTS

Each reference number or letter in the following AR4K Railway Door Splice parts lists can be matched with the reference number or letter referred to in both the text and illustrations of Chapter 1, Installation and Setup.



### **WARNING:**

**FAILURE TO APPLY A SUITABLE LUBRICANT TO THE MATING SURFACES OF STAINLESS STEEL THREADED FASTENERS MAY CAUSE GALLING AND/OR SEIZING OF ASSEMBLY.**

### **3562055 AR6K DOOR SPLICE KIT**

<b>REF #</b>	<b>PART #</b>	<b>QTY</b>	<b>DESCRIPTION</b>
1	3514070	1	AR4K DOOR SPLICE TRACK ASSEMBLY
	3562178	1	AR4K/6K DOOR SPLICE COP

### **3562178 AR4K/6K DOOR SPLICE TRACK ASSEMBLY**

<b>REF #</b>	<b>PART #</b>	<b>QTY</b>	<b>DESCRIPTION</b>
A	3562730	2	AR6K DOOR SPLICE HINGE SPACER
B	3562860	2	AR6K DOOR SPLICE LOCK SLEEVE
C	5896286	2	HHCS 1/2-13 X 2-1/2 SS
D	5897018	2	NUT HEX NYLOCK 1/2-13 SS/WAX